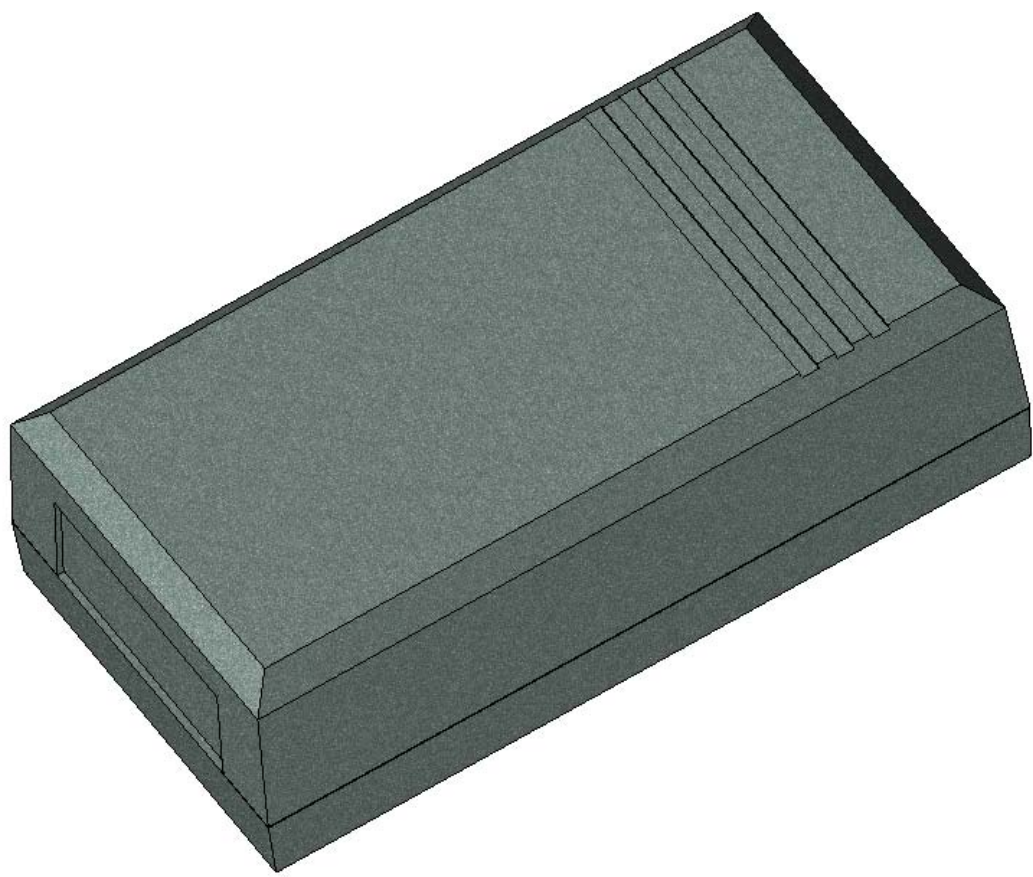
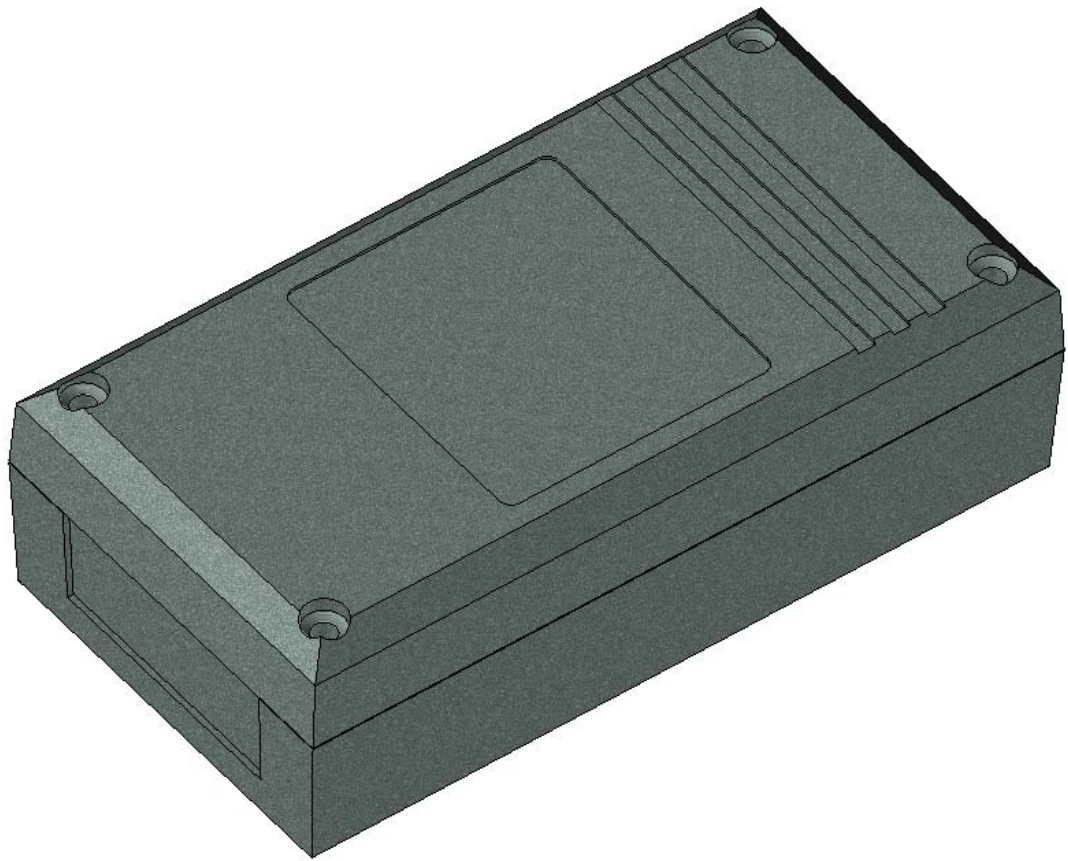
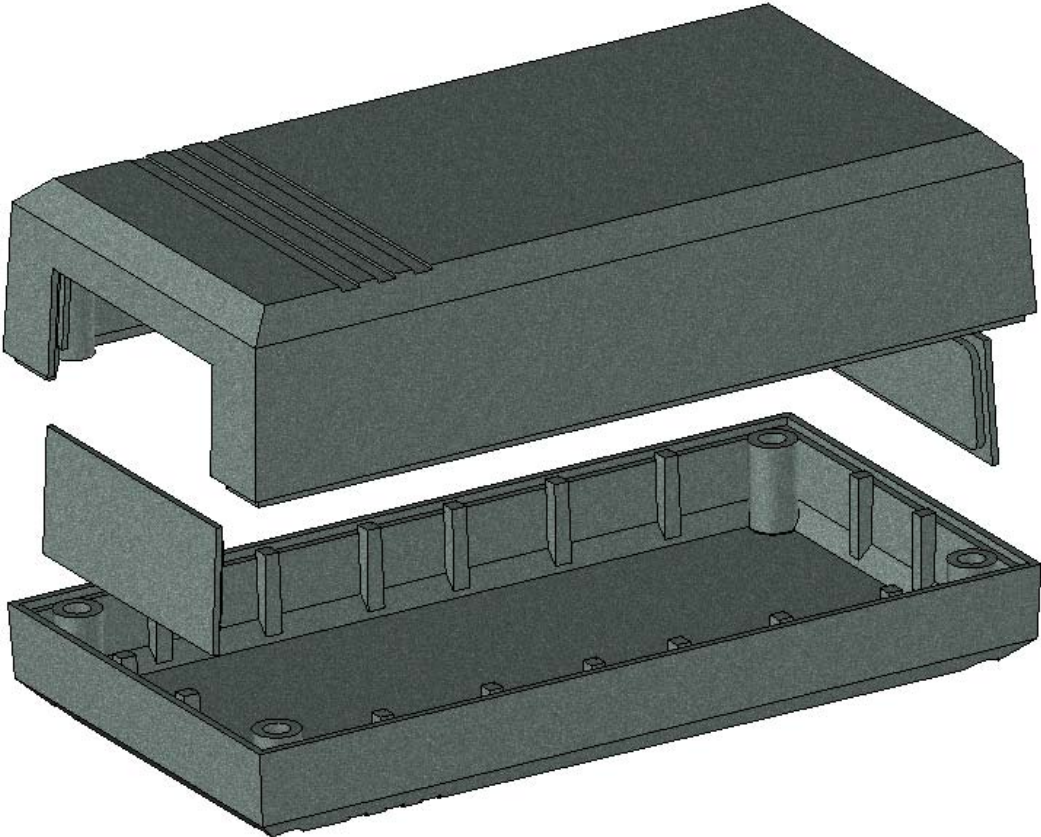
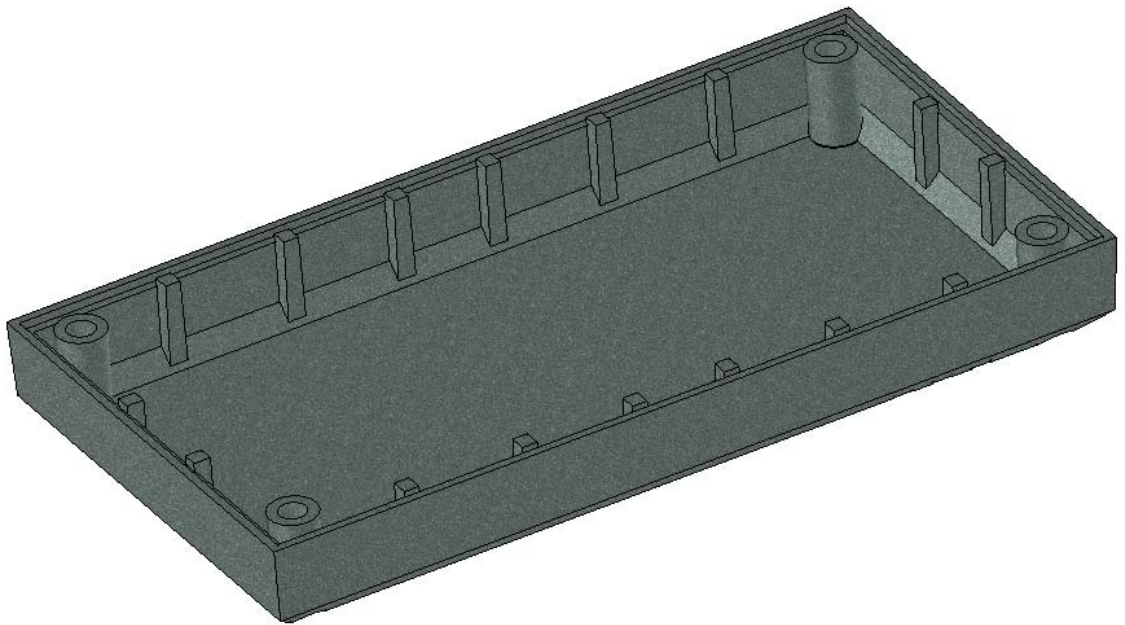
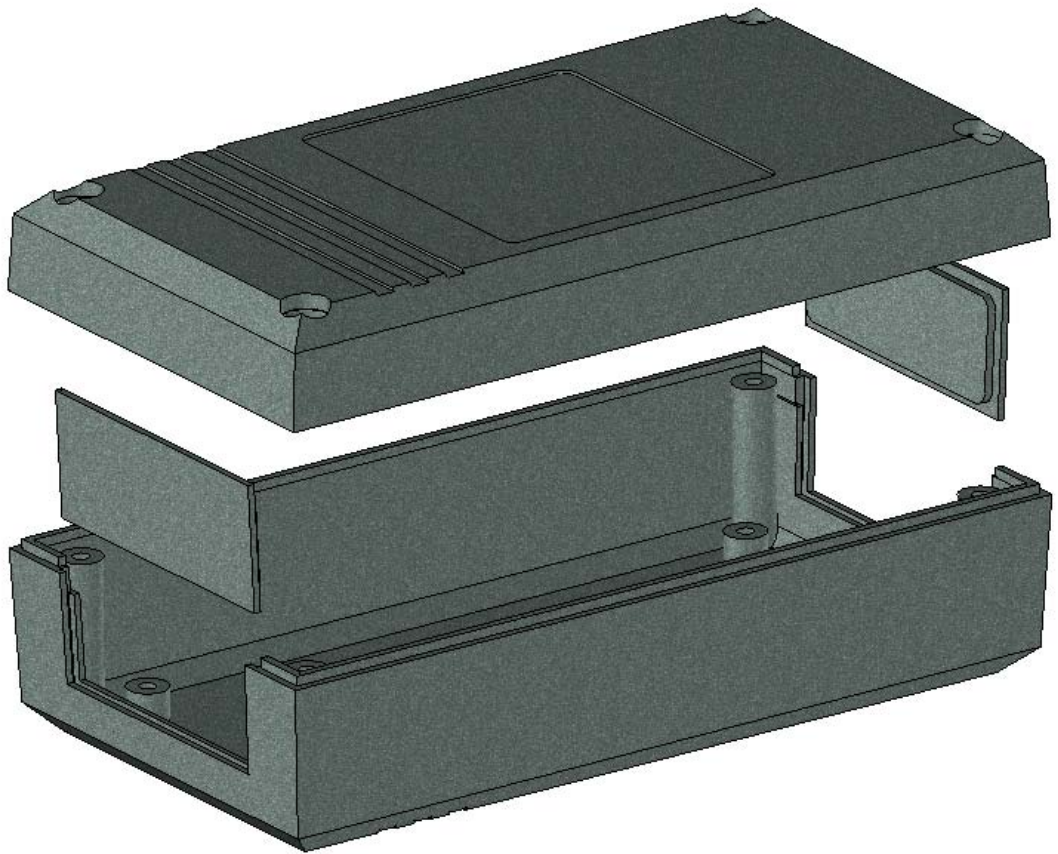


Model produktu	Z-36	
Format:	A4	Materiál: Polystyrene (PS)
Skála:	1:1	Tolerancia: +/- 0.1

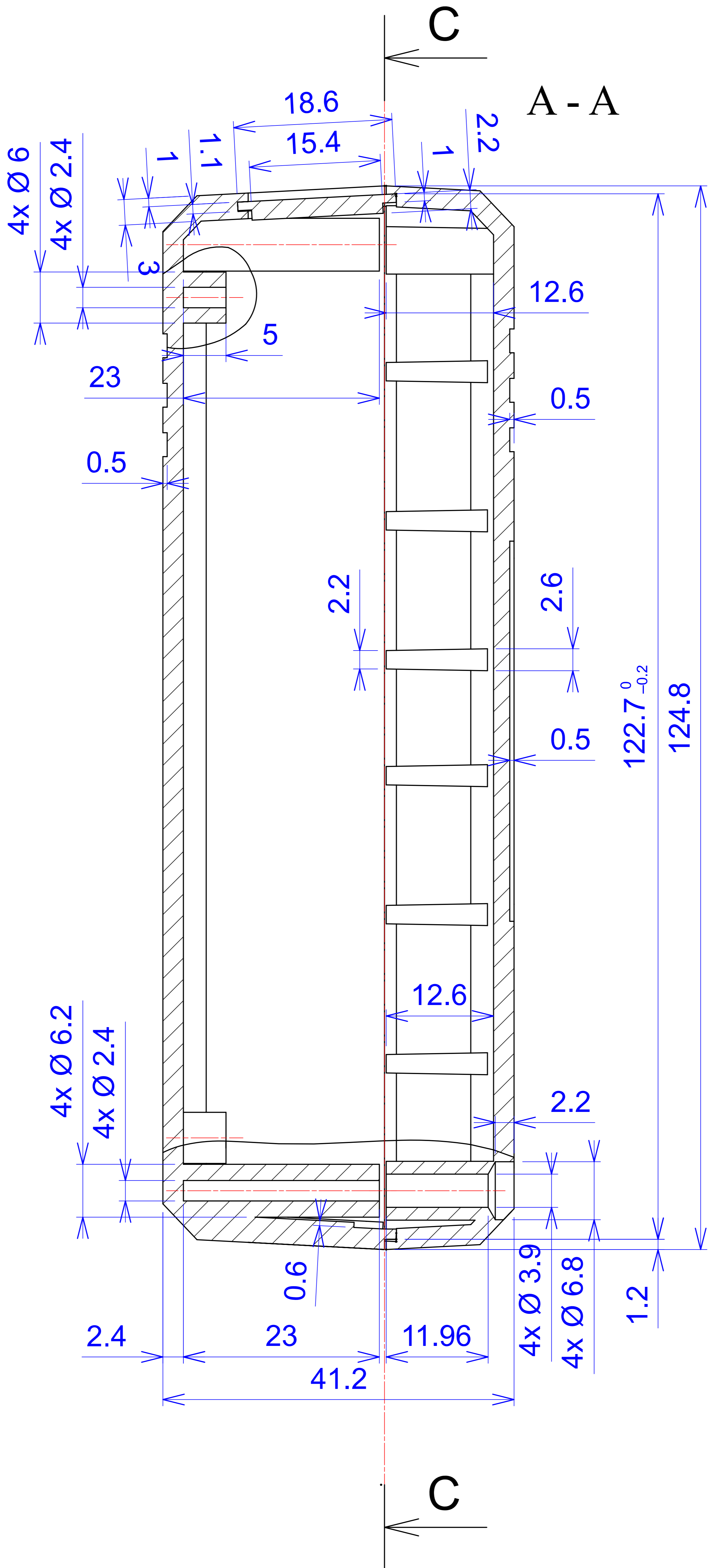


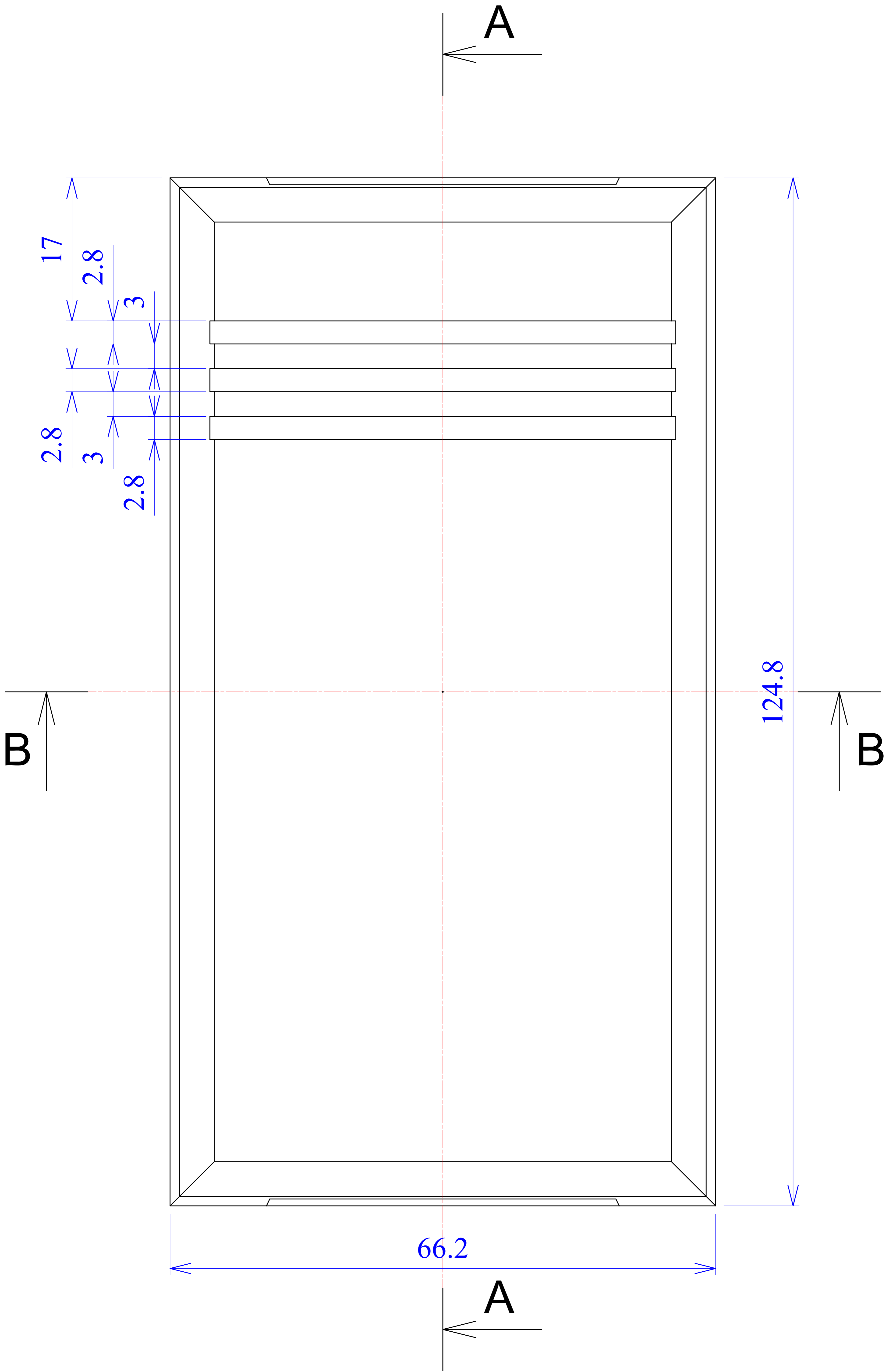




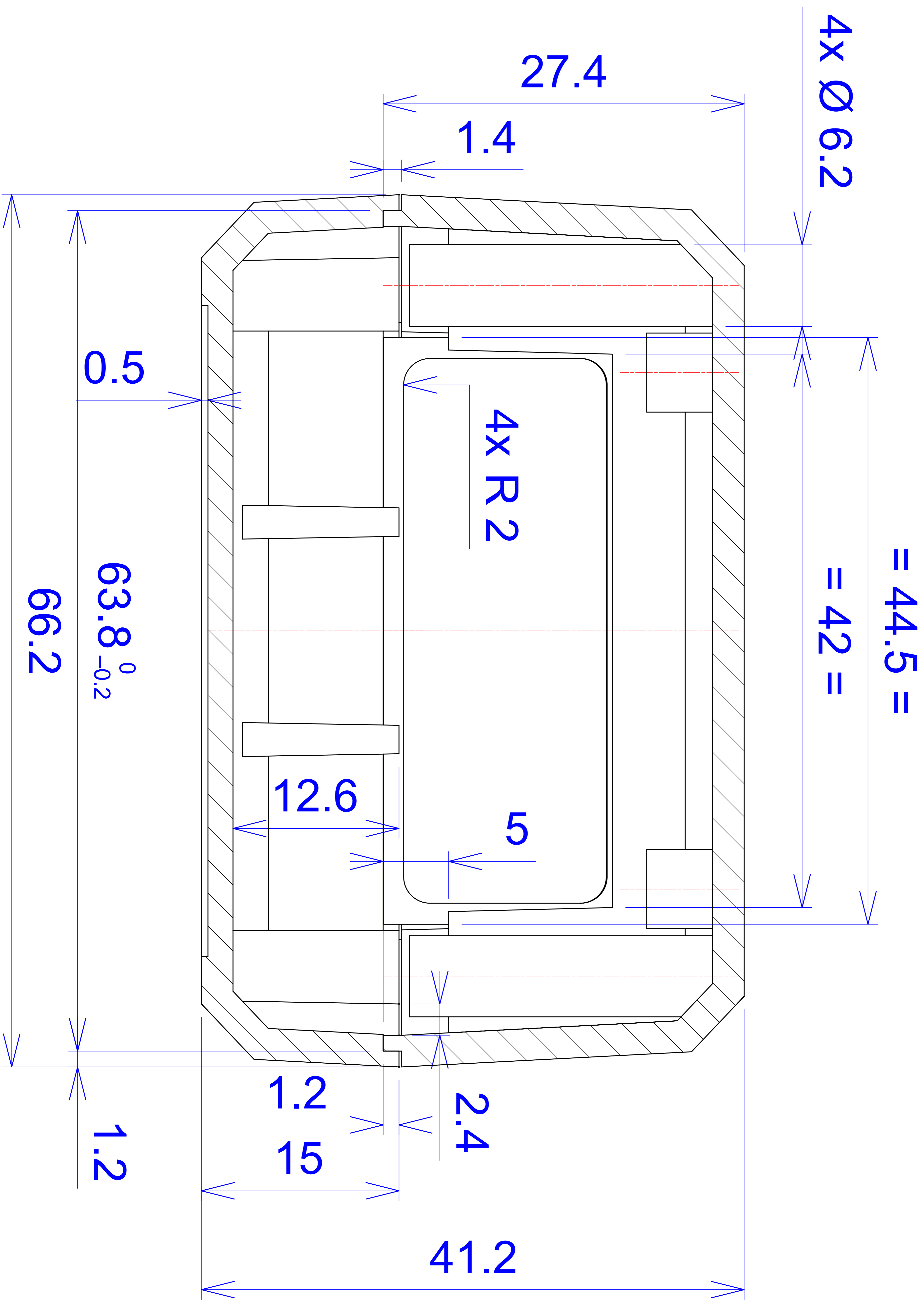


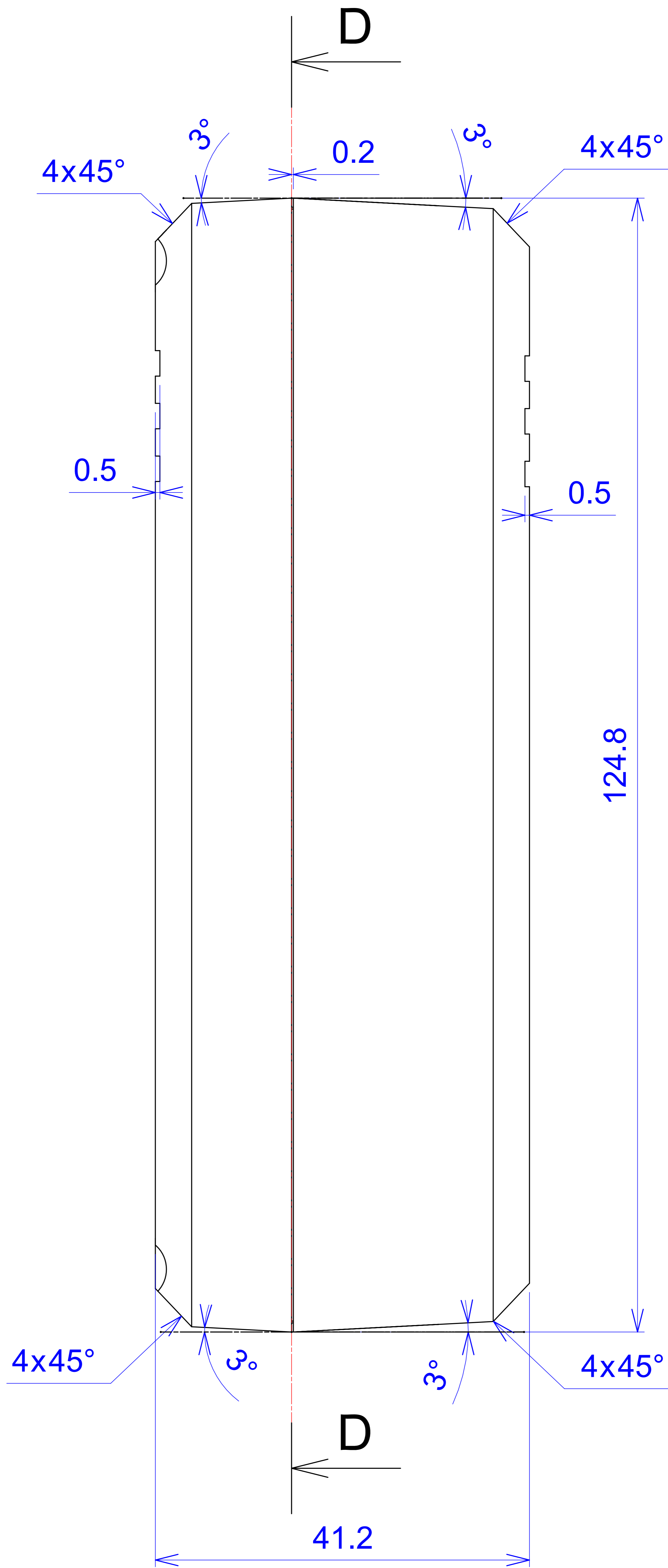






B - B





C - C

4x Ø 6.2

4x Ø 2.4

= 44.5 =

= 42.8 =

4x Ø 6

4x Ø 2.4

6.2

98.6

111

124.8

6.9

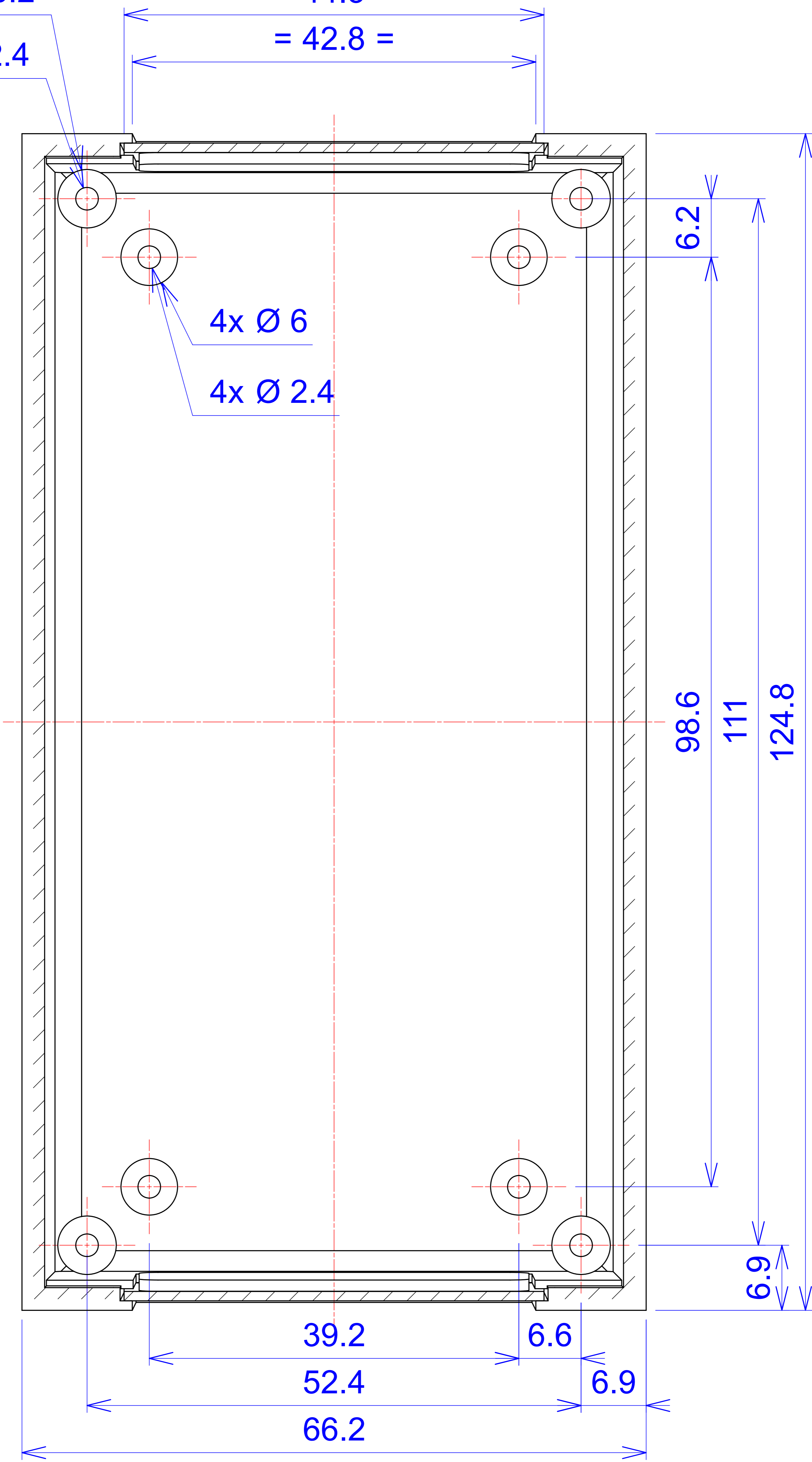
39.2

6.6

52.4

6.9

66.2



D - D

4x Ø 6.9

4x Ø 3.9

