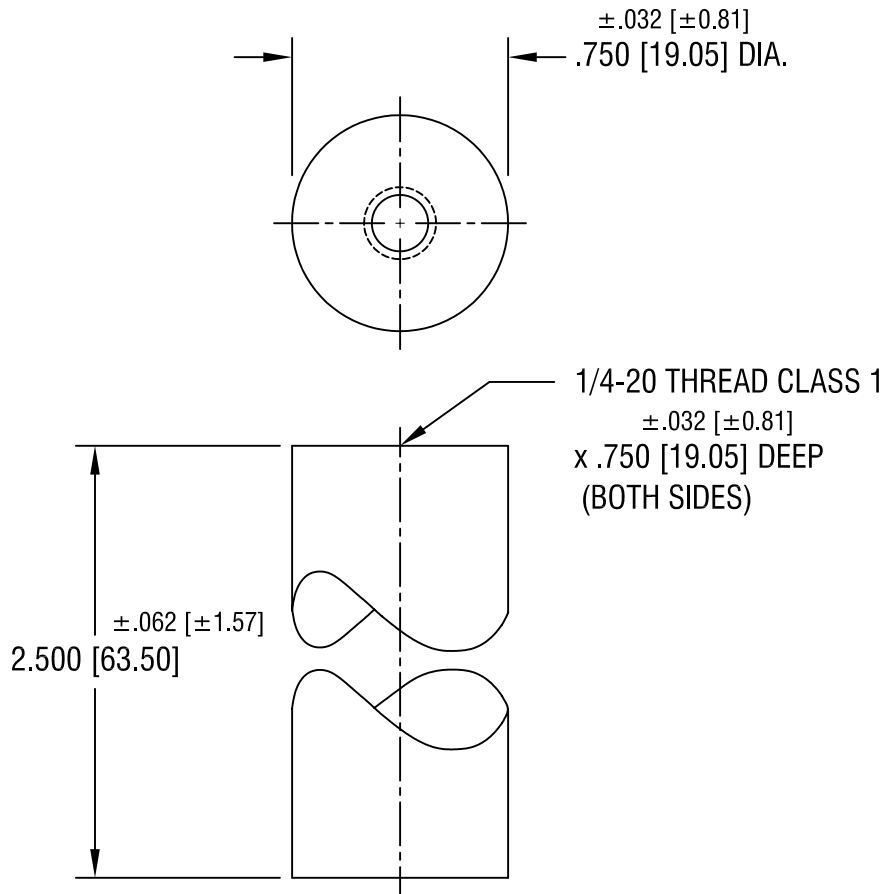


THIS DOCUMENT IS THE PROPERTY OF  
KEYSTONE ELECTRONICS CORP. AND  
SHALL NOT BE REPRODUCED, DISTRIBUTED  
OR USED AS A BASIS FOR MANUFACTURE  
WITHOUT PRIOR WRITTEN PERMISSION  
FROM KEYSTONE ELECTRONICS CORP.



**KEYSTONE ELECTRONICS CORP.**

ASTORIA, N.Y. 11105-2017

PART NAME

CERAMIC STANDOFF

MATERIAL

GRADE L5 CERAMIC

FINISH

GLAZED

DRN BY

BOONE

DATE

11.22.96

APP'D

SCALE

1.5X

TOLERANCES

INCH

[MM]

CODE

DWG NO.

DECIMAL

± .005 [± 0.15 ]

ANGULAR

± 1°

UNLESS OTHERWISE SPECIFIED

C/M

**7719**

DATE

DESCRIPTION

REV.