

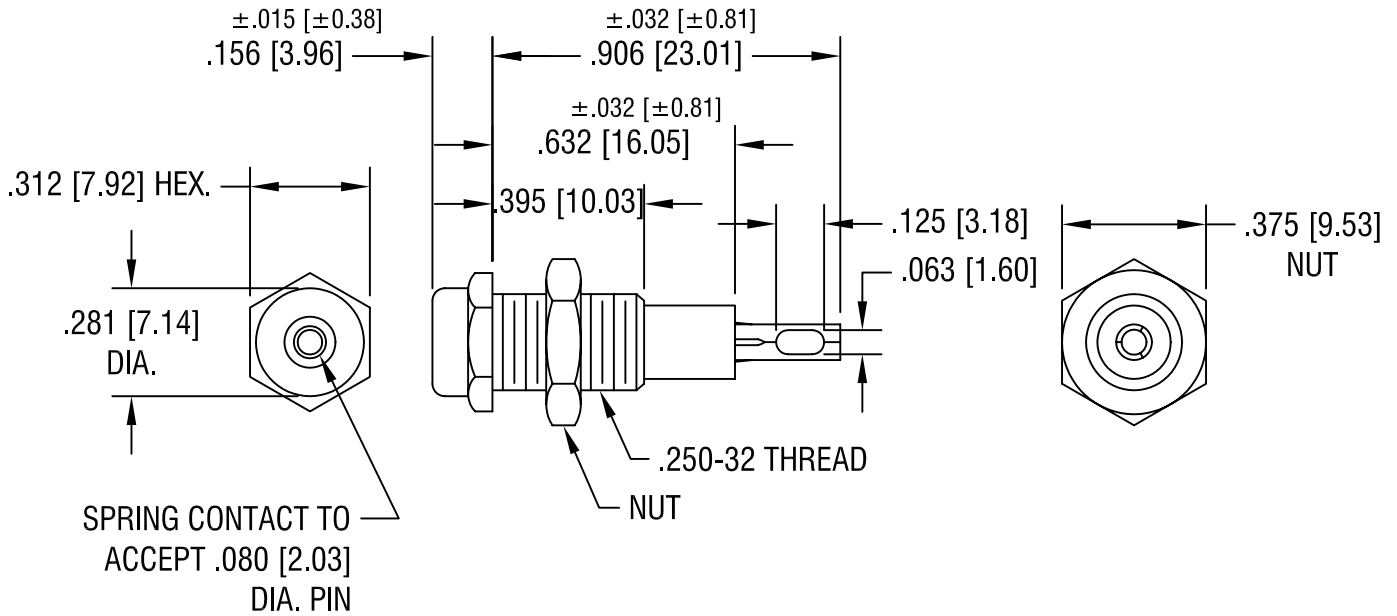
**RATINGS:**

CURRENT: 10 AMPS

BREAKDOWN VOLTAGE: 5700 V RMS

CONTACT RESISTANCE: 0.010 OHMS MAX.

CONTACT-TO-PANEL C: 2 pF NOMINAL



**NOTES:**

**1. CONTACT:**

MAT'L - PHOSPHOR BRONZE  
SILVER PLATE

**BODY:**

MAT'L - NYLON 6/6 PER ASTM D4066

**2. SHELL, NUT:**

BRASS, NICKEL PLATE.  
HARDWARE SUPPLIED  
UNASSEMBLED.

| PART NO. | COLOR  |
|----------|--------|
| 6024     | WHITE  |
| 6025     | RED    |
| 6026     | BLACK  |
| 6027     | GREEN  |
| 6028     | YELLOW |
| 6029     | BLUE   |

2.5.03 CHANGE AS PER ECN 03-012

A

DATE

DESCRIPTION

REV.

|                                   |        |          |                  |
|-----------------------------------|--------|----------|------------------|
| <b>KEYSTONE ELECTRONICS CORP.</b> |        |          |                  |
| ASTORIA, N.Y. 11105-2017          |        |          |                  |
| PART NAME                         |        |          |                  |
| INSULATED METAL-CLAD TIP JACK     |        |          |                  |
| MATERIAL                          |        |          |                  |
| AS NOTED                          |        |          |                  |
| FINISH                            |        | DRN BY   | DATE             |
| AS NOTED                          |        | BOONE    | 12.7.82          |
|                                   |        | APPD     | SCALE            |
|                                   |        | LN       | 2X               |
| TOLERANCES                        | INCH   | MM       | CODE             |
| DECIMAL                           | ± .005 | [± 0.15] | C/M              |
| ANGULAR                           | ± 1°   |          |                  |
| UNLESS OTHERWISE SPECIFIED        |        |          | DWG NO.          |
|                                   |        |          | <b>6024-6029</b> |