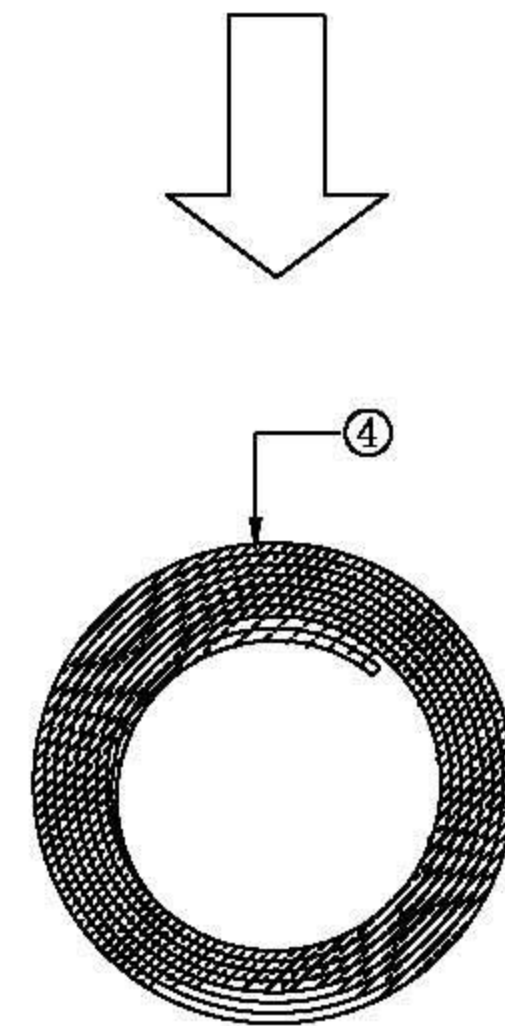
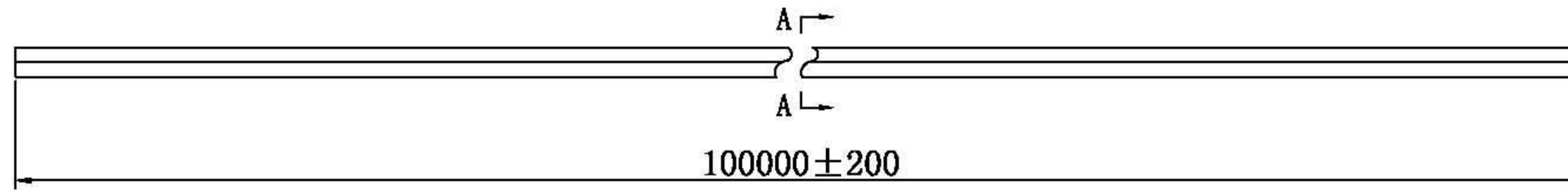
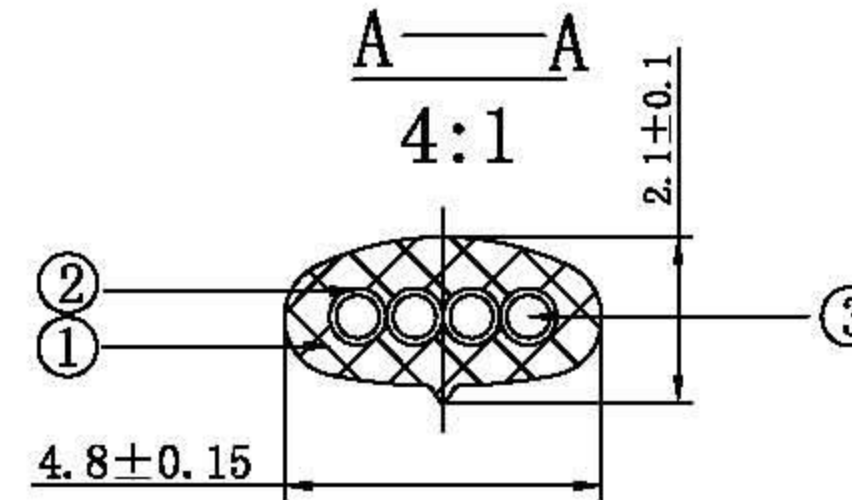


	REVISION RECORD MODIFICATIONS	DATE	REV.
	NEW	2012/10/17	A/0
△			



PACKAGING:



**NOTES:**

1. Electrical testing:100%
2. Visual inspection:100%
3. ROHS Compliant
4. Packaging:100M/volume/label;10volume/Outer;

**MATERIAL LIST:**

④	PE FILM	PE FILM	1		DRAW NO.		PRODUCT NAME	KD34-4C-100M	
③	CONDUCTOR	4C 5*0.10BC	4		CUSTOMER		VIEW	TOLERANCE	
②	INSULATION	OD:PP0.98MM COLOR:WHITE、BROWN、GREEN、YELLOW	4		ITEM NO.	TK 44 SW		X. ±1.00	X.X ±0.50
①	JACKET	PVC/COLOR: BLACK:EB6-5004-S75	1		DRAWNBY	CHECKBY	APPOBY	UNTT	MM
NO.	MAT. NAME	DESCRIPTION	QT' Y	REMARK			ZhuHao	Blatt-Nr.	1/1