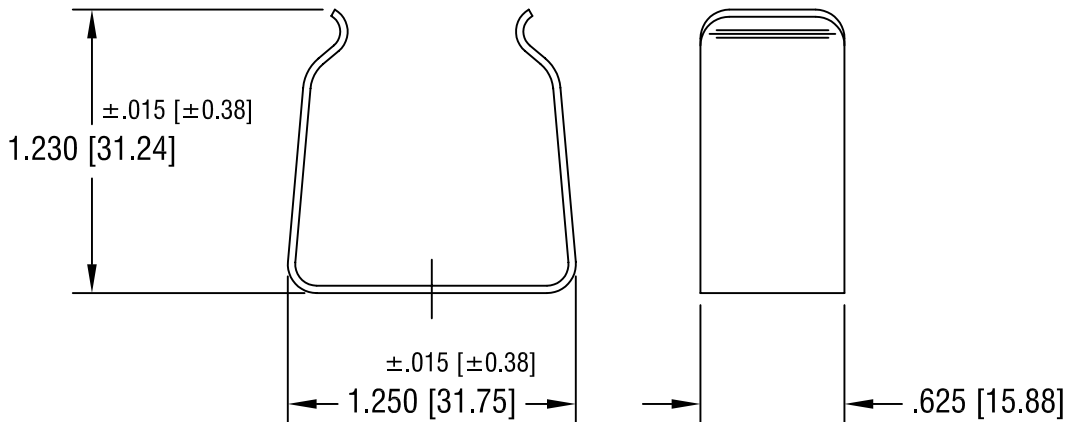
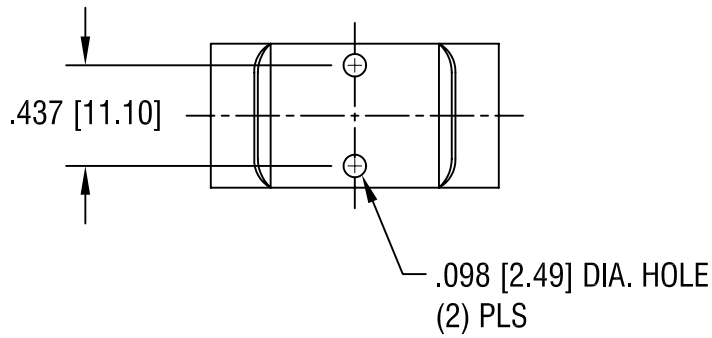


THIS DOCUMENT IS THE PROPERTY OF  
KEYSTONE ELECTRONICS CORP. AND  
SHALL NOT BE REPRODUCED, DISTRIBUTED  
OR USED AS A BASIS FOR MANUFACTURE  
WITHOUT PRIOR WRITTEN PERMISSION  
FROM KEYSTONE ELECTRONICS CORP.



**KEYSTONE ELECTRONICS CORP.**

ASTORIA, N.Y. 11105-2017

PART NAME

COMPONENT CLIP, 'D' CELL

MATERIAL

.032 [0.81] TH'K ALUMINUM 2024-T3

FINISH

-

DRN BY

BOONE

DATE

11.3.81

APPD

SCALE

1.2X

TOLERANCES

INCH [MM]

DECIMAL  $\pm .005$  [ $\pm 0.15$ ]

ANGULAR  $\pm 1^\circ$

UNLESS OTHERWISE SPECIFIED

CODE

C

DWG NO.

94

1.8.01 CHANGE AS PER ECN 01-004

A

DATE

DESCRIPTION

REV.