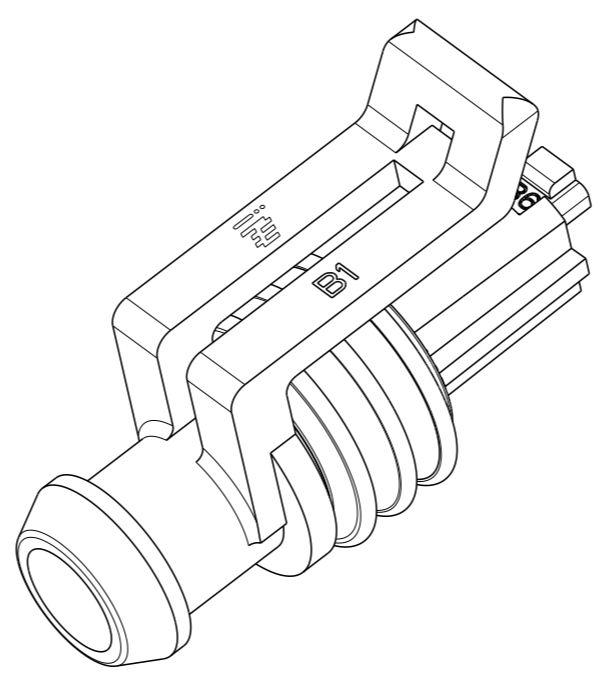
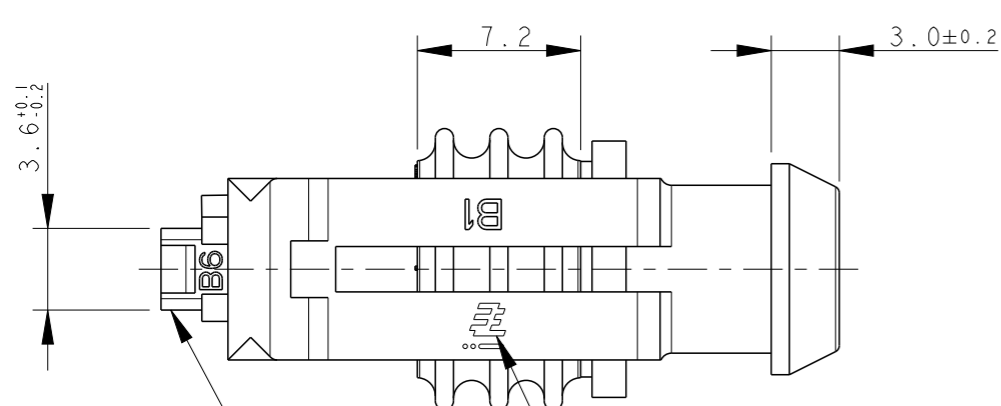
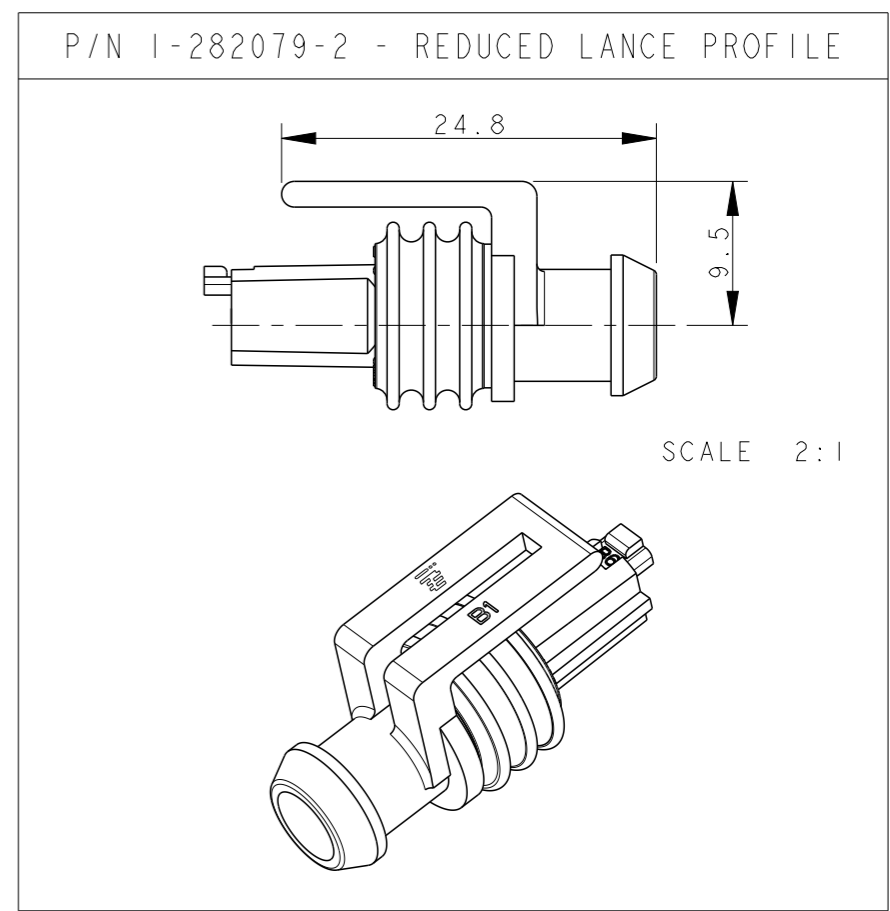
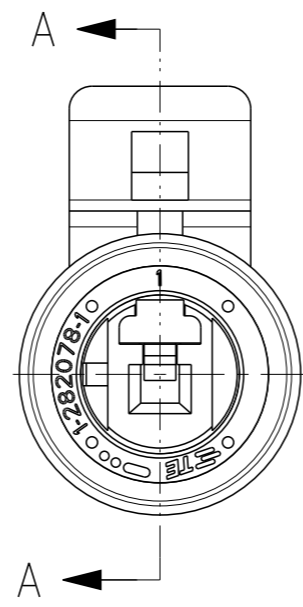
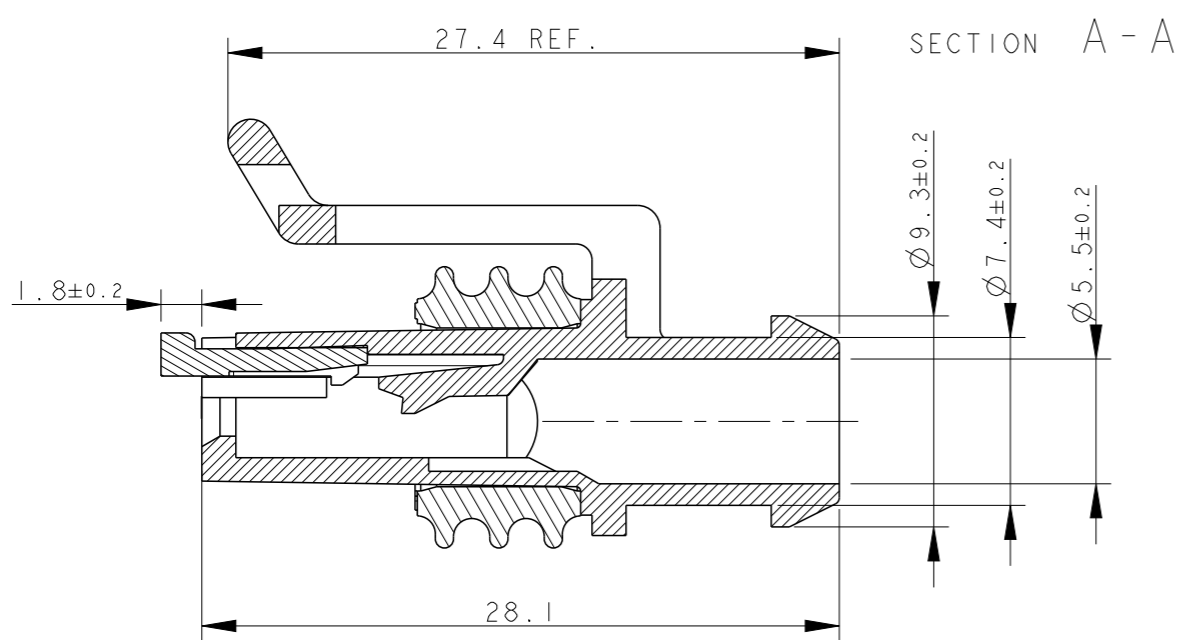


THIS DRAWING IS UNPUBLISHED. RELEASED FOR PUBLICATION 2011  
 © COPYRIGHT 2011 ALL RIGHTS RESERVED.

LOC	DIST	REVISIONS			
P	LTR	DESCRIPTION	DATE	DWN	APVD
	C1	REVISED FOR ET00-0008-04	20JAN2004	P.Z.	R.M.
	F	REVISED BY ECR-11-024280	13DEC2011	M.F.	M.G.
	F1	ADDED PN 2-..-2 (ECR-13-002497)	20FEB2013	M.G.	M.G.



TE CONNECTIVITY TRADE MARK, (IN ALTERNATIVE: "AMP" LOGO, OR "Tyco Electronics" LOGO)

SEALING (SILICONE RUBBER)

PRE-ASSEMBLED SECONDARY LOCK (RED COLOR)

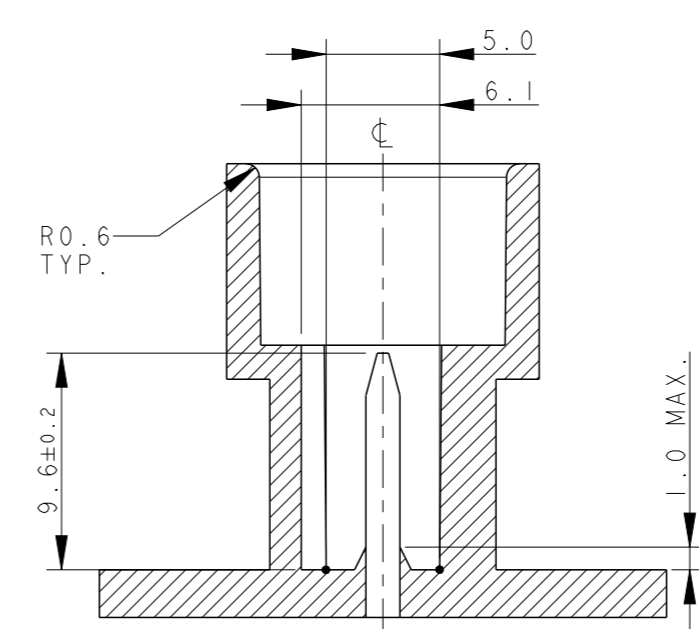
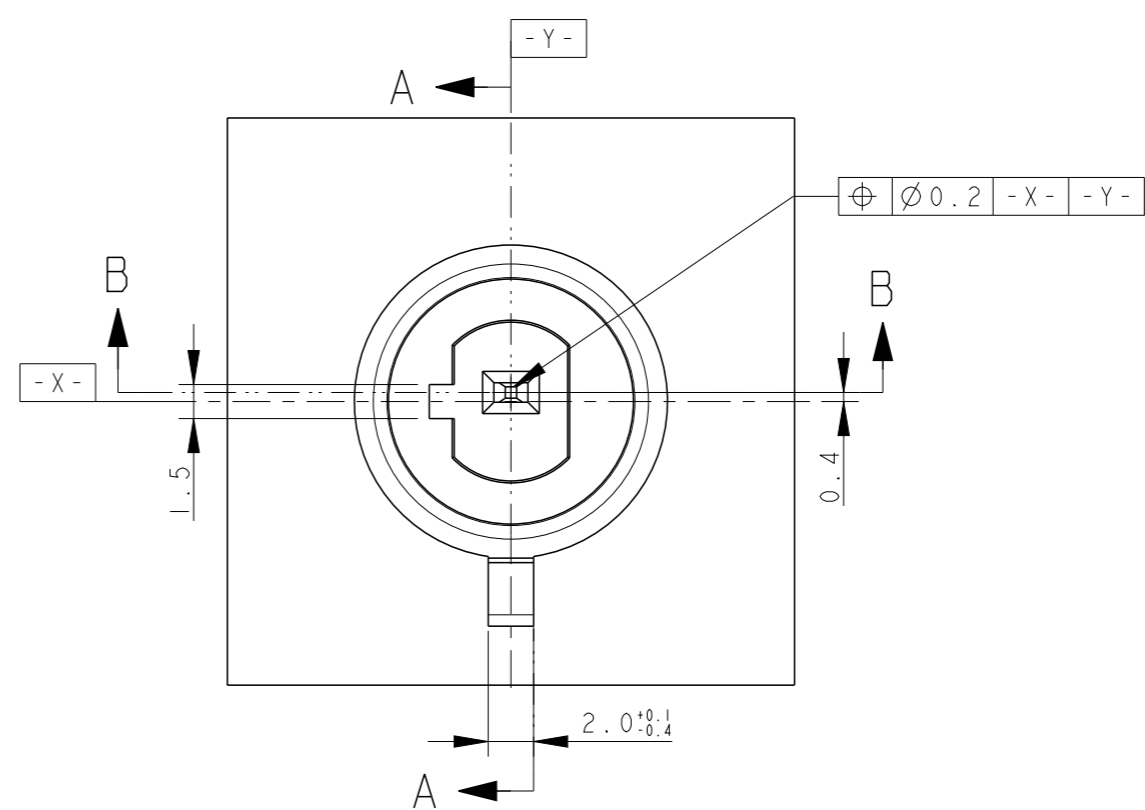
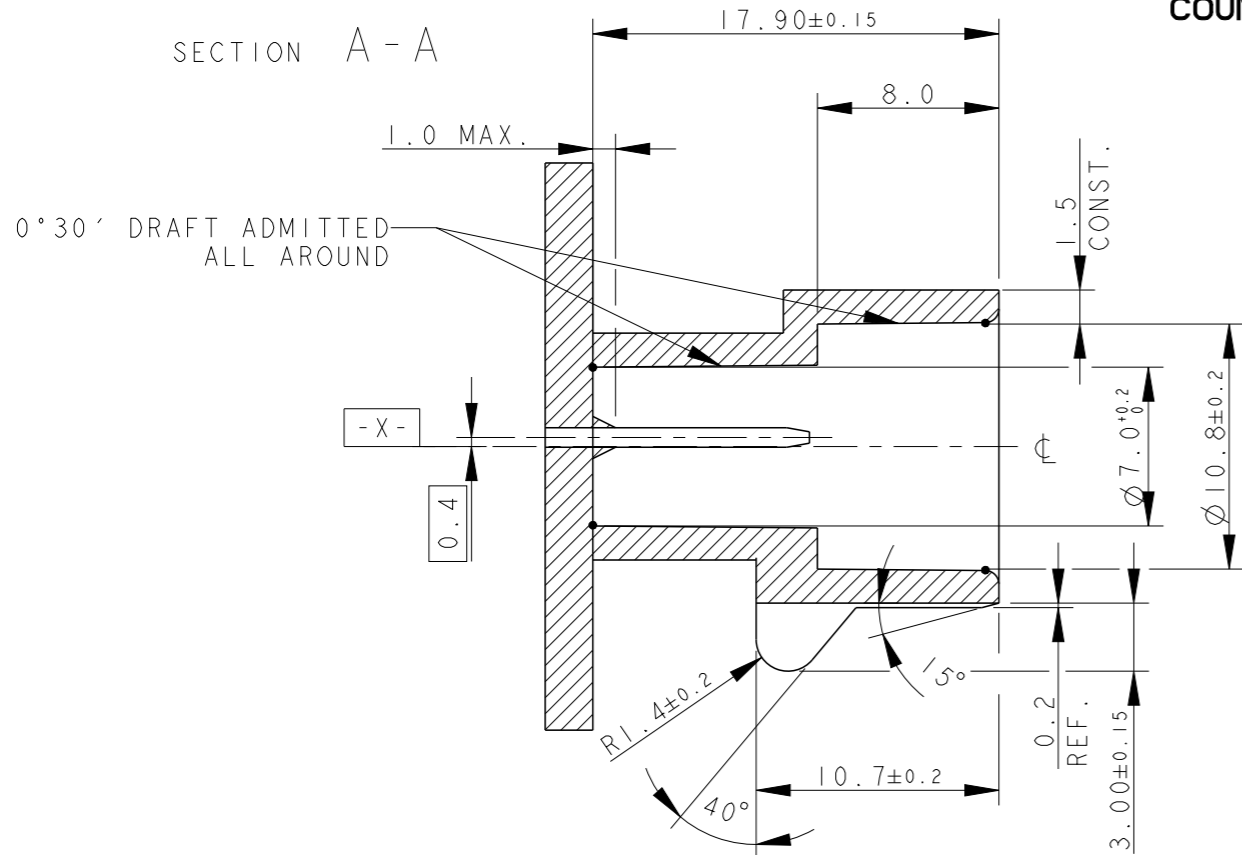
⚠ WARNING: LOW RETENTION FORCE OF SEALING ON HOUSING (<9N)  
 2) FOR COUNTERPART DETAILS, SEE SHEET 2 OF 2

NOTE	FINISH/COLOR	MATERIAL	PART NUMBER
⚠	HOUSING: BLACK SEALING: NATURAL	HOUSING+SEC.LOCK: PA 66-GF SEALING: LSR (4% OIL CONTENT)	2-282079-2
	HOUSING: BLACK SEALING: YELLOW		1-282079-2
	HOUSING: GRAY SEALING: YELLOW	HOUSING+SEC.LOCK: PA 66-GF SEALING: LSR (NO OIL CONTENT)	282079-3
	HOUSING: BLACK SEALING: YELLOW		282079-2

THIS DRAWING IS A CONTROLLED DOCUMENT.		DWN C. BERTINI 05-1992		TE Connectivity	
DIMENSIONS: mm		CHK A. BRUNI 05-1992			
TOLERANCES UNLESS OTHERWISE SPECIFIED:		APVD -		NAME AMP SUPERSEAL 1.5 SRS. 1 POSITION PLUG ASS'Y	
0 PLC ±-		PRODUCT SPEC 108-20090		SIZE A3	
1 PLC ±0.3		APPLICATION SPEC 412-20000		CAGE CODE 00779	
2 PLC ±-		WEIGHT 1.55gr		DRAWING NO C-282079	
3 PLC ±-		Customer Drawing		RESTRICTED TO -	
4 PLC ±-		SCALE 3:1		SHEET 1 OF 2	
ANGLES ±2°		REV F1			
FINISH -					

LOC		DIST		REVISIONS			
P	LTR	DESCRIPTION	DATE	DWN	APVD		
-	-	SEE SHEET 1	-	-	-		

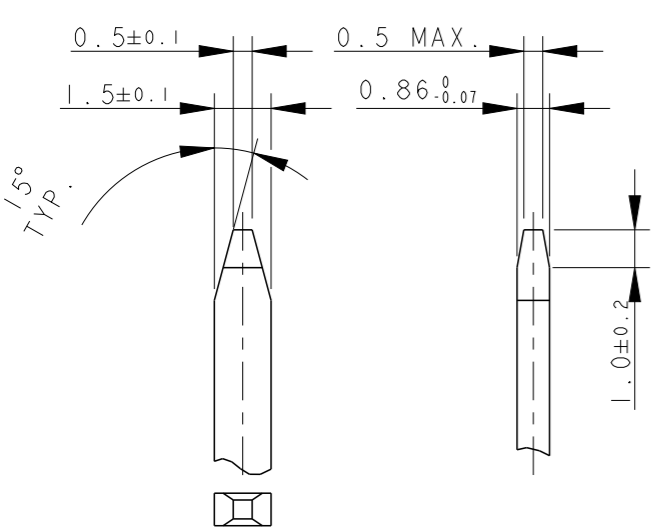
### COUNTERPART DETAILS



### SECTION B-B

△ MATERIALS: PA66-GF FOR HOUSING  
TIN PLATED BRASS FOR TABS

### TAB DETAILS



THIS DRAWING IS A CONTROLLED DOCUMENT.		DWN C. BERTINI 05-1992	<b>TE Connectivity</b>		
DIMENSIONS: mm		CHK A. BRUNI 05-1992			
TOLERANCES UNLESS OTHERWISE SPECIFIED:		APVD -	NAME AMP SUPERSEAL 1.5 SRS. 1 POSITION PLUG ASS'Y		
0 PLC ±0.3 1 PLC ±0.1 2 PLC ±0.05 3 PLC ± 4 PLC ± ANGLES ±2°		PRODUCT SPEC -	SIZE A300779		
MATERIAL △		APPLICATION SPEC -	DRAWING NO C-282079	RESTRICTED TO -	
FINISH △		WEIGHT -	SCALE -	SHEET 2 OF 2	
		Customer Drawing	REV F1		