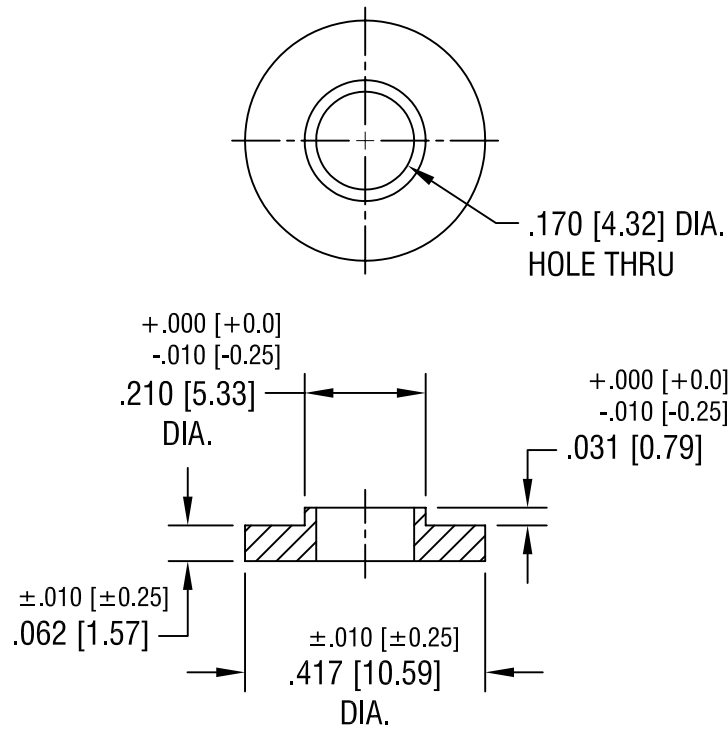


THIS DOCUMENT IS THE PROPERTY OF
KEYSTONE ELECTRONICS CORP. AND
SHALL NOT BE REPRODUCED, DISTRIBUTED
OR USED AS A BASIS FOR MANUFACTURE
WITHOUT PRIOR WRITTEN PERMISSION
FROM KEYSTONE ELECTRONICS CORP.



KEYSTONE ELECTRONICS CORP.			
ASTORIA, N.Y. 11105-2017			
PART NAME			
FIBRE SHOULDER WASHER			
MATERIAL			
VULCANIZED FIBRE			
FINISH		DRN BY	DATE
-		BOONE	11.6.06
		APP'D	SCALE
		LN	3X
TOLERANCES		INCH [MM]	CODE
DECIMAL		$\pm .005 [\pm 0.15]$	C/M
ANGULAR		$\pm 1^\circ$	
UNLESS OTHERWISE SPECIFIED			
DWG NO.		3066	

DATE	DESCRIPTION	REV.