

DATE	DESCRIPTION	REV.
6.7.05	CHANGE AS PER ECN 05-031	A

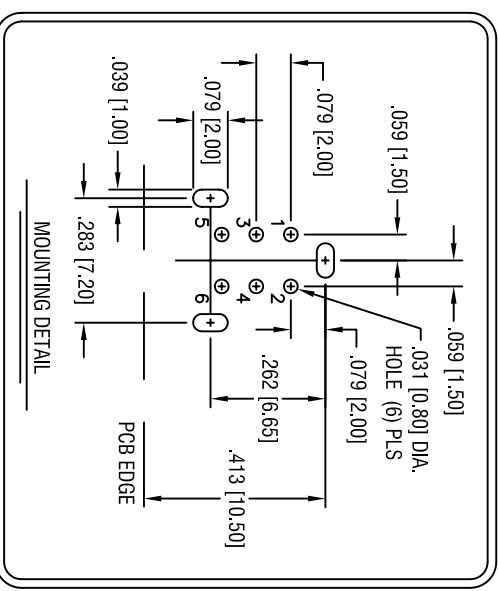
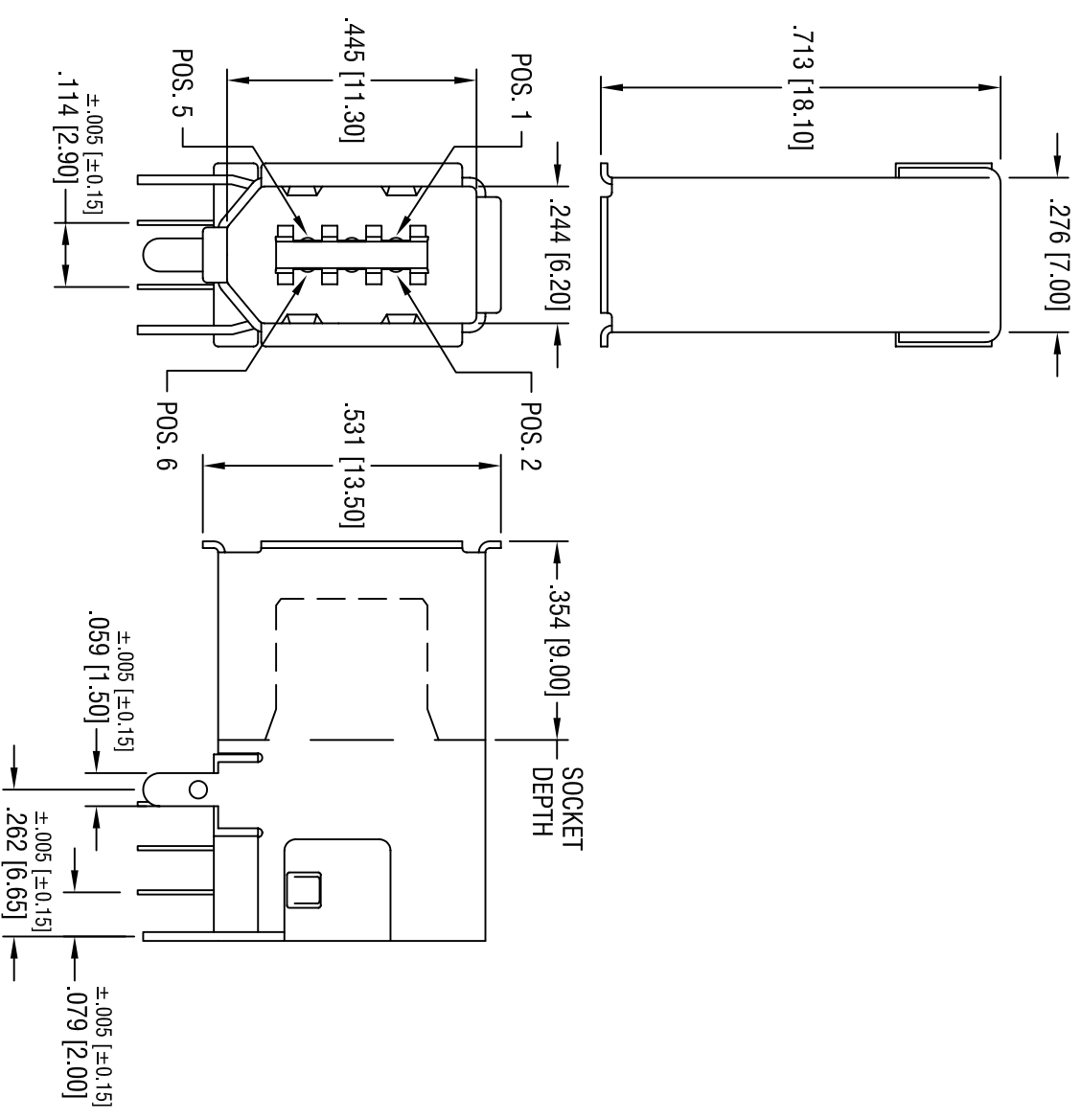
Notes:

Shell: Mat'l: Phosphor Bronze,
 Finish: Tin Plate over
 Nickel Plate.

Insulator: Mat'l: Thermoplastic
 UL 94V-0

Contacts: Mat'l: Phosphor Bronze
 Finish: Gold Plate over
 Nickel Plate on
 Contact Area.
 Tin Plate over
 Nickel Plate
 on Solder Tail.

Electrical Specifications
 Rated Voltage:
 30V AC (rms)
 Contact Current Rating:
 1A Max.
 Contact Resistance:
 30 milliohms Max.
 Insulation Resistance:
 1000 Megohms Min.
 Dielectric Withstanding:
 750V AC
 Operating Temperature:
 32° [0°C] to 104° [40°C]



KEYSTONE ELECTRONICS CORP.
 ASTORIA, N.Y. 11105-2017

PART NAME
 IEEE 1394 'FIREWIRE' THRU-HOLE UP-RIGHT SOCKET
 MATERIAL
 AS NOTED

FINISH	AS NOTED	DRN BY	BOONE	DATE	7.1.99		
TOLERANCES	INCH [MM]	CODE	DWG NO.	App'D	LN	SCALE	3X
DECIMAL	± .010 [± 0.25]	C/M	930				
ANGULAR	± 1°						
THIS DOCUMENT IS THE PROPERTY OF KEystone ELECTRONICS CORP. AND SHALL NOT BE REPRODUCED, DISTRIBUTED OR USED AS A BASIS FOR MANUFACTURE WITHOUT PRIOR WRITTEN PERMISSION FROM KEystone ELECTRONICS CORP.							