

7" Rugged Tablet X86-based Windows® 10 up to 1.92 GHz Quad Core Processor



Features

- 7" WXGA (1280 x 800) TFT LCD Display, 400 nits, Sunlight Readable (Optional)
- Intel® Atom™ x5-Z8350 CHT-T3 Quad Core 1.92 GHz Processor
- DDR3L - RS 1600 2GB/4GB (Optional)
- Projected Capacitive Multi-Touch Panel, Gorilla Glass
- Extended Battery Swappable, MIL-STD 810G, IP65 Compliant
- GPS/GLONASS Simultaneously
- WiFi b/g/n, BT4.0
- Supports NFC/RFID (Optional), Ethernet + COM Port (Optional)
- 1D/2D Barcode Scanner with Trigger Button
- MSR (Optional)/ SCR (Optional)
- G-Sensor, Light Sensor, E-Compass
- Windows® 10



Sensor	G-sensor, E-Compass, Gyroscope, Light-sensor
Expansion Slot	Docking
Barcode Scanner (Optional)	1D Scanner support CMOS engine (Optional), 2D Scanner support LED engine
RFID (Optional)	HF RFID based on 13.56MHz compatible with NFC
Physical Key	—
Mechanical	
Color	Black
Dimension (W x H x D)	5.38" x 8.58" x 0.83" (136.6mm x 219mm x 21mm)
Gross Weight	1.254 lb (0.57 kg)
Environmental	
Operating Temperature	-4 °F ~ 122°F (-20°C ~ 50°C)
Storage Temperature	-67°F ~ 158°F (-55 °C ~ 70 °C)
Humidity	50°C; 5% ~ 90% R/H; 120 hours, non-condensing
Environmental Sealing	IP65
Vibration	MIL-STD-810G Method 514.6 Procedure I, Cat. 24, Fig. 514.6E-1 & E-2
Drop	MIL-STD-810G Method 516.6 Procedure IV - Height of Drop: 122cm (48 inch; 4ft), - Number of Drop: 26 times, - Floor: Two inch plywood backed by concrete, - For all surfaces, edges and corners
ESD	Up to Air charge: +/- 15KV, Contact charge: +/- 8KV
Certifications and Standards	UL: UL60950-1, CE/LVD: EN60950-1, FCC, CE
Power Supply	
AC / DC Adapter	AC 100~240V, 50~60Hz ; DC 12V/3A (36W)
Battery Life	Dual li-polymer high capacity batteries, up to 5 hours battery life
Master Battery	External battery: 7.4V 1530mah
Slave Battery	Removable battery: 7.4V 1530mah
Display	
LCD	7" TFT-LCD / 16:10, with LED backlight
Resolution	1280 x 800 pixel
Maximum Color	16.7M
Dot Size	0.117 x 0.117(H)
Brightness	400 nits; Sunlight Readable (Optional)**
Viewing Angle	Horizontal: 178° (Typ.), Vertical: 178° (Typ.)
Touch Screen	
Touch Type	Projected capacitive multi-touch screen (PCT)
Light Transmission	Min 87% (ASTM D1003; Wavelength = 550nm)

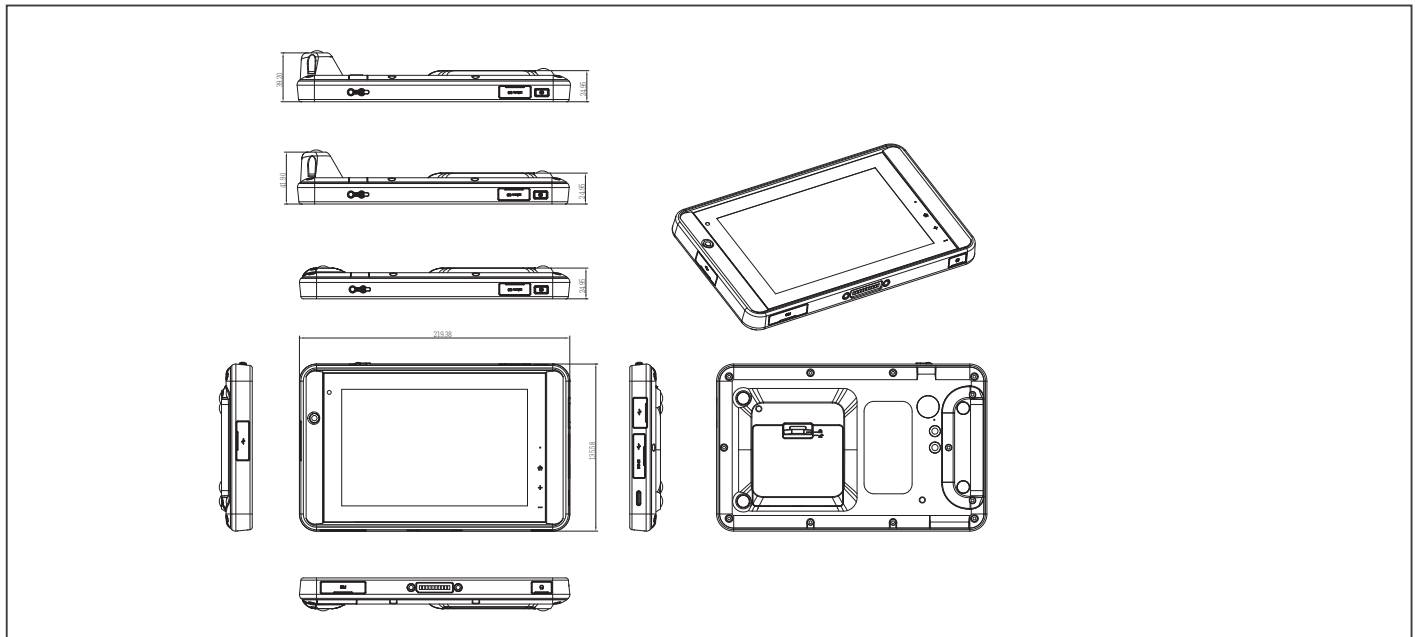
* LTE: the module adder need customization depends on different countries, please contact Sales Rep.
** Sunlight readable by optional Anti-Reflective bonding and optional anti-glare film.

Specifications

System Architecture	
Processor	Intel® Atom™ X5-Z8350 CHT-T3 Quad Core 1.92 GHz Processor
Operating System	Windows® 10
Memory	Onboard 2GB DDR3L (4G Optional)
Storage	Onboard 64GB eMMC
Display	7" TFT-LCD/ 16:10, with Projected Capacitive Multi-Touch screen
I/O Port	DC-in jack x 1, MicroSD Card x 1, SIM card slot x 1, USB 2.0 x 2 (A Type x 1, Mini USB x 1), USB 3.0 x 1 (Type C), Built-in Speaker & Microphone x 1, 3.5mm stereo headphone jack x 1, 1D/2D Barcode scanner x 1 (Optional), Magnetic Stripe Reader x 1 (Optional), COM port x 1 + Ethernet x 1 (Optional)
Communication	Bluetooth v4.0, Wi-Fi (802.11 b/g/n), NFC / RFID (13.56MHz), 3G (Optional)
Navigation	GPS, Glonass
WWAN(optional)	LTE*
Camera	2 MP front camera, 8 MP auto-focus rear camera with flash

Dimension

Unit: mm



Packing List

- **1255300360**
AC Power Adapter
- **9789600A00**
Battery
- **Product CD**
- **RTC-700B**

Optional Accessories

- **9759700B00**
Hand strap
- **9789700A04**
Leather Strap for RTC-700x w/
Barcode. or LAN used
- **1700051000**
USB Cable (Client to PC)
- **1700240150**
USB Dongle Type C to HDMI
- **1702031831**
Power Cable for Europe
- **1702031830**
Power Cord Cable for USA
- **PER-A151**
USB, COM and RJ-45 Module
- **PER-A152**
COM and Ethernet Module
- **PER-A153**
Barcode Module
- **PER-A155**
MSR Module
- **PER-A156**
MSR and SCR Module
- **TF-RDS-0310-0000**
Docking Station (with Stand)
- **TF-RDS-0310-0002**
Docking Station (without Stand)
- **9741600R04**
Battery 2 PCS in a pack
- **RDS-0040-0000**
4-Bay Battery Charger
- **1255900360**
Car Adapter, Barrel Type
- **1255900361**
Car Adapter, Flying Type

* Small quantity MOQ may apply for optional/customized services.

Ordering Information

Part Number	CPU	LCD Display	Touch Screen	System Memory	Storage	OS	WiFi/Bluetooth	4G Bands (MHz)	Navigation	Sensor	Camera	Battery	Expansion I/O	Size & Weight	Operation Temp	Durable	2D Barcode Scanner	Com + Ethernet	Docking
RTC-700B-TAD-WBGL-11A1	Intel® Atom™ x5-Z8350 CHT-T3 Quad Core 1.92 GHz Processor	7" TFT LCD	Pcap 10-point	DDR3L-RS 1600 2GB	64GB Flash eMMC	Windows® 10	802.11b/g/n +BT4.0+EDR		GPS/ Glonass/ AGPS*	Light Sensor x 1, G Sensor x 1, 3-axis digital groscope x 1, Vibrator x 1	Front: 2MP, Back: 8MP	Dual-Battery, Internal: 7.4V,1530mAh, External: 7.4V, 1530mAh				Meet IEC 60529 IP-65 standard, Mil Std 810G-516.6, Procedure IV, 26 drops of 48" height to 2" plywood over concrete with bumpers & uNits off, 2 units to pass	Yes	—	Yes
RTC-700B-TAD-WBGL-11A2	Intel® Atom™ x5-Z8350 CHT-T3 Quad Core 1.92 GHz Processor	7" TFT LCD	Pcap 10-point	DDR3L-RS 1600 2GB	64GB Flash eMMC	Windows® 10	802.11b/g/n +BT4.0+EDR	FDD LTE: B1/B3/B5/B7/B8/B20 TDD LTE: B38/B40/B41 WCDMA: B1/B5/B8 GSM: B3/B8	GPS/ Glonass/ AGPS*	Light Sensor x 1, G Sensor x 1, 3-axis digital groscope x 1, Vibrator x 1	Front: 2MP, Back: 8MP	Dual-Battery, Internal: 7.4V,1530mAh, External: 7.4V, 1530mAh	USB A x 1, MiniUSB x 1, USB C x 1, micro SD x 1, SIM Card x 1	L219.4 x W135.58 x H 21.2mm, 640g	-4°F ~ 122°F (-20°C ~ 50°C)	—	Yes	Yes	
RTC-700B-TAD-WBGL-11A0	Intel® Atom™ x5-Z8350 CHT-T3 Quad Core 1.92 GHz Processor	7" TFT LCD	Pcap 10-point	DDR3L-RS 1600 2GB	64GB Flash eMMC	Windows® 10	802.11b/g/n +BT4.0+EDR		GPS/ Glonass/ AGPS*	Light Sensor x 1, G Sensor x 1, 3-axis digital groscope x 1, Vibrator x 1	Front: 2MP, Back: 8MP	Dual-Battery, Internal: 7.4V,1530mAh, External: 7.4V, 1530mAh				—	—	Yes	