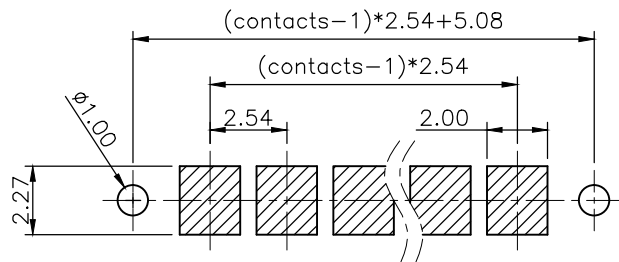
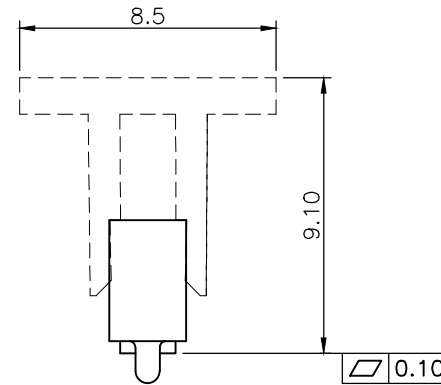
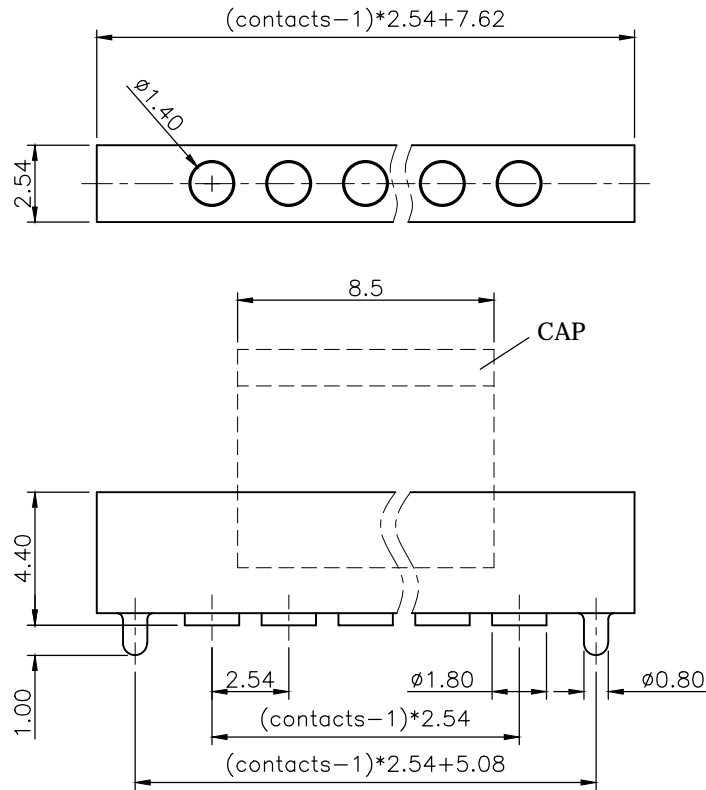


REV.	DESCRIPTION	DRAWN	DATE
1	INITIAL RELEASE	TIM	2020/05/05



Recommended Layout
General Tolerance: $\pm 0.05\text{mm}$

How to order:

303B-C4418-254-XX

1

1 pin count: xx= 02~16

(Please contact with sales for the pins count available)

NO.	PART NAME	DESCRIPTION
3	CAP	Thermoplastic, Black
2	CONTACT	Copper alloy, 10u" gold plating on contact area , gold plating under nickel over all
1	HOUSING	Thermoplastic, UL94V-0, Black

UNLESS OTHERWISE SPECIFIED TOLERANCE			
UNIT:	DECIMAL	LINEAR	ANGLES
mm	X.	± 0.50	$\pm 5^\circ$
	X.X	± 0.25	$\pm 3^\circ$
	X.XX	± 0.12	$\pm 1^\circ$

DRAWN		Tim	2020/05/05	DRAWN NAME:	
CHECKED		Fros	2020/05/05	Machine Pin, XX pin, 2.54P, 10u"	
APPROVED		Ken	2020/05/05	H4.4x1.8dia. , Cap, SMT	
SCALE		4/1	SHEET	1/1	SIZE
FILE NAME		303B-C4418-254-XX_B_1			



www.attend.com.tw