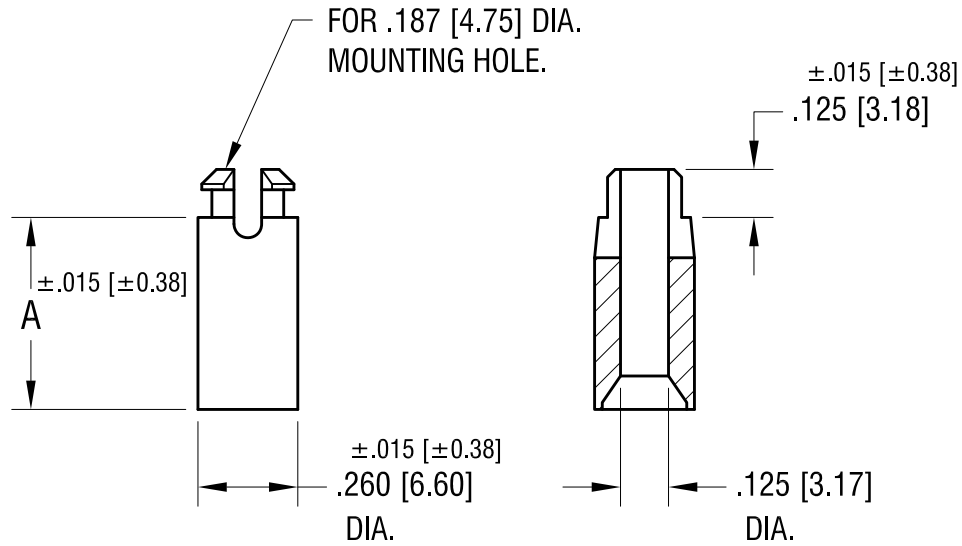


THIS DOCUMENT IS THE PROPERTY OF
KEYSTONE ELECTRONICS CORP. AND
SHALL NOT BE REPRODUCED, DISTRIBUTED
OR USED AS A BASIS FOR MANUFACTURE
WITHOUT PRIOR WRITTEN PERMISSION
FROM KEYSTONE ELECTRONICS CORP.



PART NO.	'A' DIM.
8829	.125 [3.18]
8830	.187 [4.75]
8831	.250 [6.35]
8832	.375 [9.53]
8833	.500 [12.70]
8834	.625 [15.88]

11.03.09	CHANGE AS PER ECN 09-162	C
4.16.07	CHANGE AS PER ECN 07-016	B
1.19.99	CHANGE AS PER ECN 99-007	A
DATE	DESCRIPTION	REV.

KEYSTONE ELECTRONICS CORP.			
www.keyelco.com • ASTORIA, N.Y. 11105-2017 • Tel (718) 956-8900			
PART NAME		STACKING SPACER	
MATERIAL		NYLON UL 94V-0	
FINISH	-	DRN BY	BOONE
		APP'D	LN
		DATE	5.11.95
		SCALE	2X
TOLERANCES	INCH [MM]	CODE	DWG NO.
DECIMAL	$\pm .005$ [± 0.15]	C/M	8829-8834
ANGULAR	$\pm 1^\circ$		
UNLESS OTHERWISE SPECIFIED			