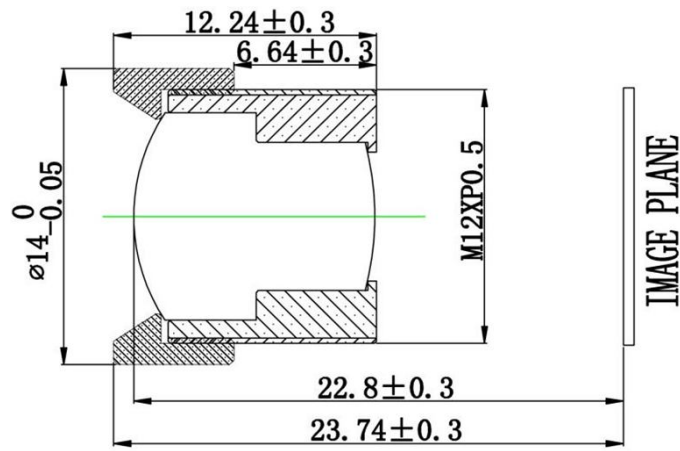


Product Specifications

Model: AD-L1203MP



Focal length		12mm
Pixel		3MP
Optical Format		1/2.7"
Aperture		F1.8
Mount		M12
D H V		33.1°*25°*18.9°
Optical Distortion		2.00%
M.O.D.		0.3m
Dimension		Φ14×12.4mm
lens Construction		5G
MBF		6.22mm
IR Correction		Yes
Operation	Iris	Fixed
	Focus	Manual
	Zoom	Fixed
Operating temperature		-10°C ~ +70°C



Size tolerance (mm) :	0-10±0.05	10-30±0.10	30-120±0.20
Angle tolerance	±2°		