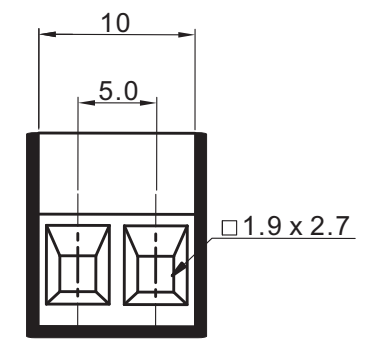
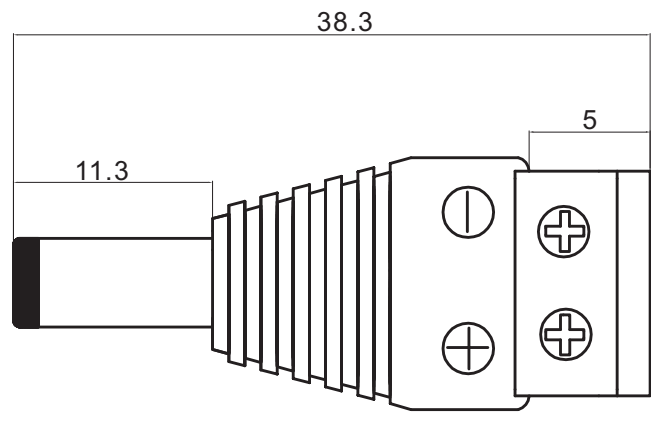
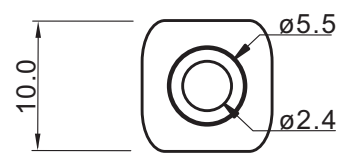


SIGN	DESCRIPTION	DATE	APPROVER
△	---		
△			



## Technical Data:

### Electrical:

- Voltage rating: 12VDC
- Current rating: 5A
- Contact resistance: 20mΩ
- Insulation resistance: 5000MΩ / 1000V
- Wire range: 26-12AWG

### Mechanical:

- Torque: 0.5Nm (4.4lb/in)
- Operating temperature: -40°C to 105°C
- Strip length: 7mm

TOLERANCE	APPROVED: RIKKI	NAME:
X ±0.50	CHECKED: CAMILY	2.5mm Male Plug Adapter
X.X ±0.30	DRAWN: SHERMAN	
X.XX ±0.20	UNIT: mm	REV.: A
X° ±1°	SCALE: 4/1	PAGE: 1/1
		PART NO: DC13-M
		DWG NO.: