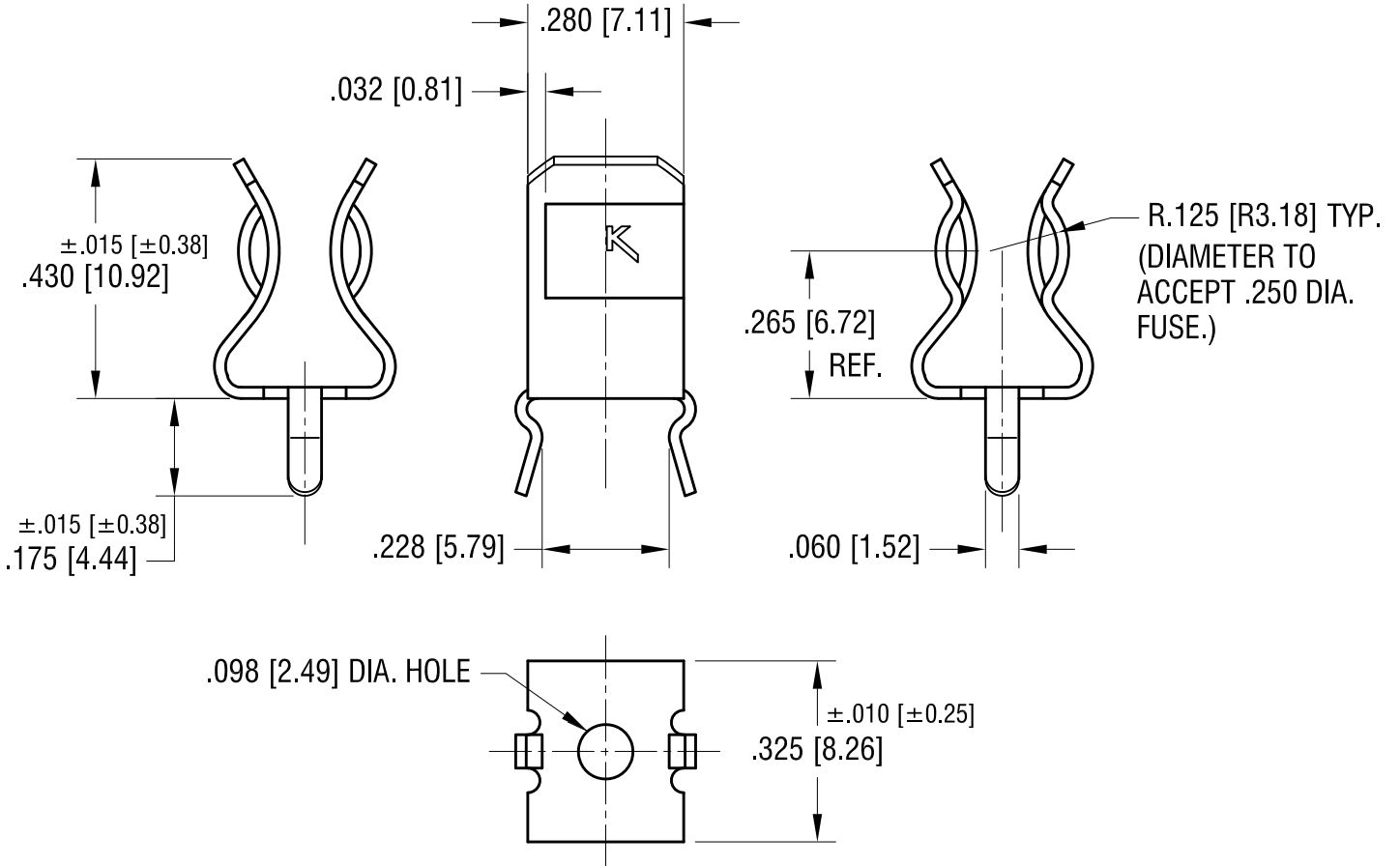
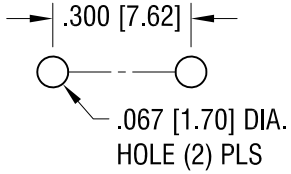


THIS DOCUMENT IS THE PROPERTY OF KEYSTONE ELECTRONICS CORP. AND SHALL NOT BE REPRODUCED, DISTRIBUTED OR USED AS A BASIS FOR MANUFACTURE WITHOUT PRIOR WRITTEN PERMISSION FROM KEYSTONE ELECTRONICS CORP.

**ACTUAL SIZE**



**MOUNTING DETAIL**



9.17.12	CHANGE AS PER ECN 12-144	E
6.08.09	CHANGE AS PER ECN 09-054	D
9.10.98	CHANGE AS PER ECR 98-061	C
9.11.97	CHANGE AS PER ECR 97-037	B
4.30.93	REVISED	A
DATE	DESCRIPTION	REV.

<b>KEYSTONE ELECTRONICS CORP.</b>			
www.keyelco.com • ASTORIA, N.Y. 11105-2017 • Tel (718) 956-8900			
PART NAME		3AG SNAP-IN FUSE CLIP	
MATERIAL		.020 [0.50] TH'K BRASS	
FINISH		DRN BY	DATE
MATTE TIN PLATE		BOONE	1.15.90
		APP'D	SCALE
		LN	3X
TOLERANCES	INCH [MM]	CODE	DWG NO.
DECIMAL	± .005 [± 0.15]	C	3513
ANGULAR	± 1°		
UNLESS OTHERWISE SPECIFIED			