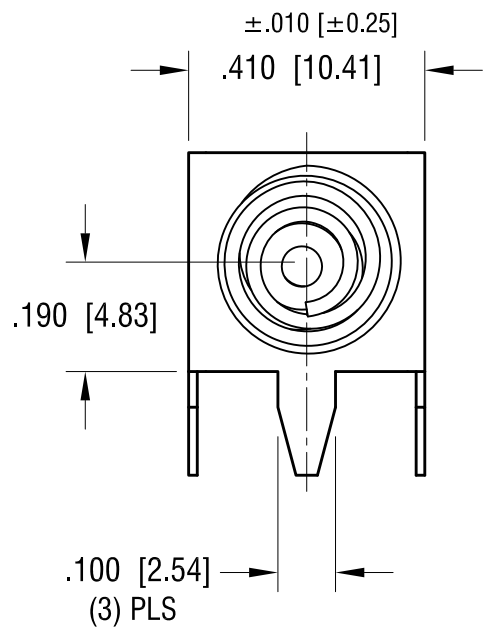
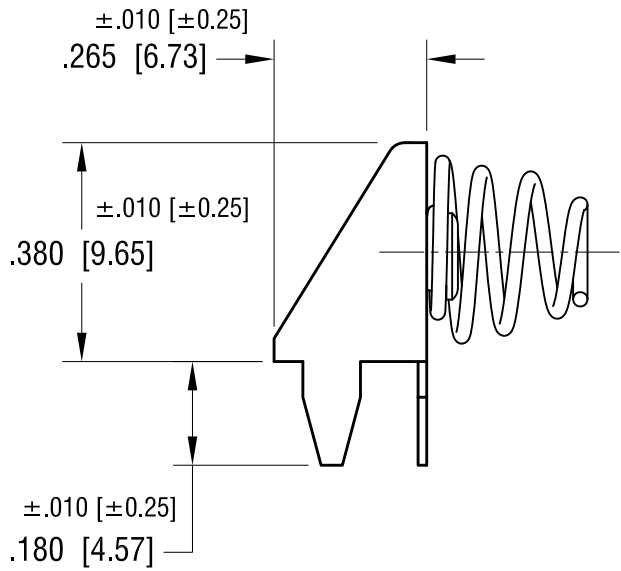
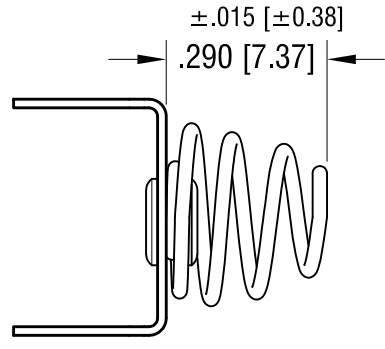
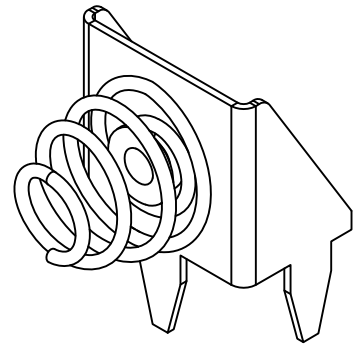
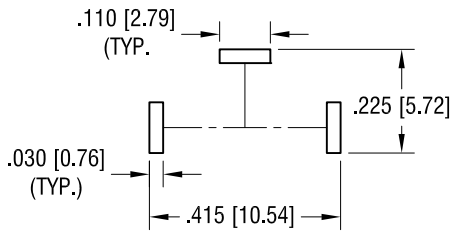


THIS DOCUMENT IS THE PROPERTY OF KEYSTONE ELECTRONICS CORP. AND SHALL NOT BE REPRODUCED, DISTRIBUTED OR USED AS A BASIS FOR MANUFACTURE WITHOUT PRIOR WRITTEN PERMISSION FROM KEYSTONE ELECTRONICS CORP.

**MOUNTING DETAIL**



**NOTE:**

1. BASE - MAT'L: .015 [0.38] TH'K STEEL  
FINISH: MATTE TIN PLATE
2. SPRING - MAT'L: .025 [0.63] DIA. MUSIC WIRE  
FINISH: NICKEL PLATE

**KEYSTONE ELECTRONICS CORP.**

www.keyelco.com • ASTORIA, N.Y. 11105-2017 • Tel (718) 956-8900

PART NAME  
'AA' 'AAA' 'N' SIZE PC SPRING CONTACT

MATERIAL  
AS NOTED

FINISH AS NOTED	DRN BY	BOONE	DATE	12.8.98
	APP'D	LN	SCALE	3X

6.02.09	CHANGE AS PER ECN 09-042	A
DATE	DESCRIPTION	REV.

TOLERANCES	INCH	[MM]	CODE	DWG NO.
DECIMAL	± .005	[± 0.15]	C	629
ANGULAR	± 1°			
UNLESS OTHERWISE SPECIFIED				