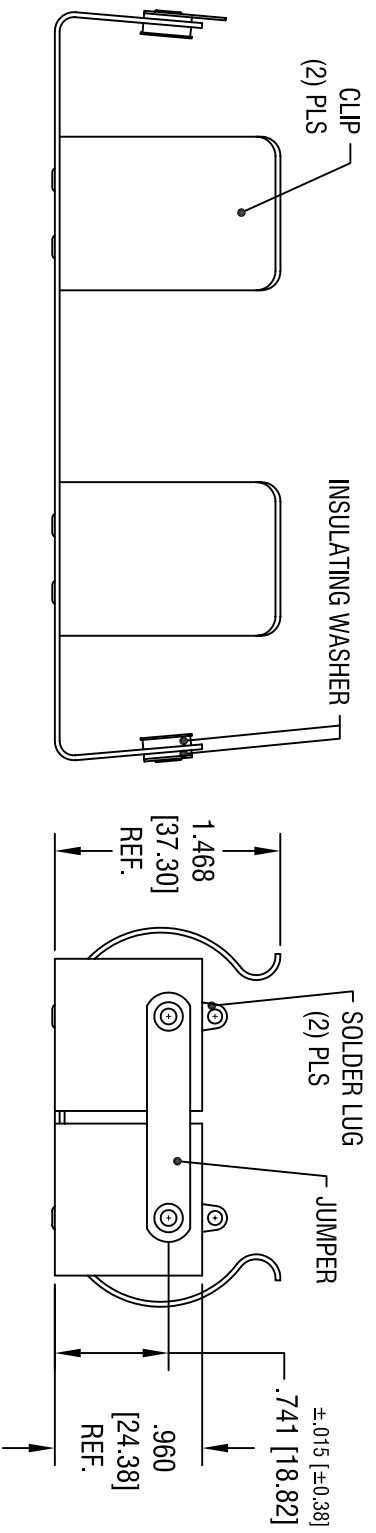
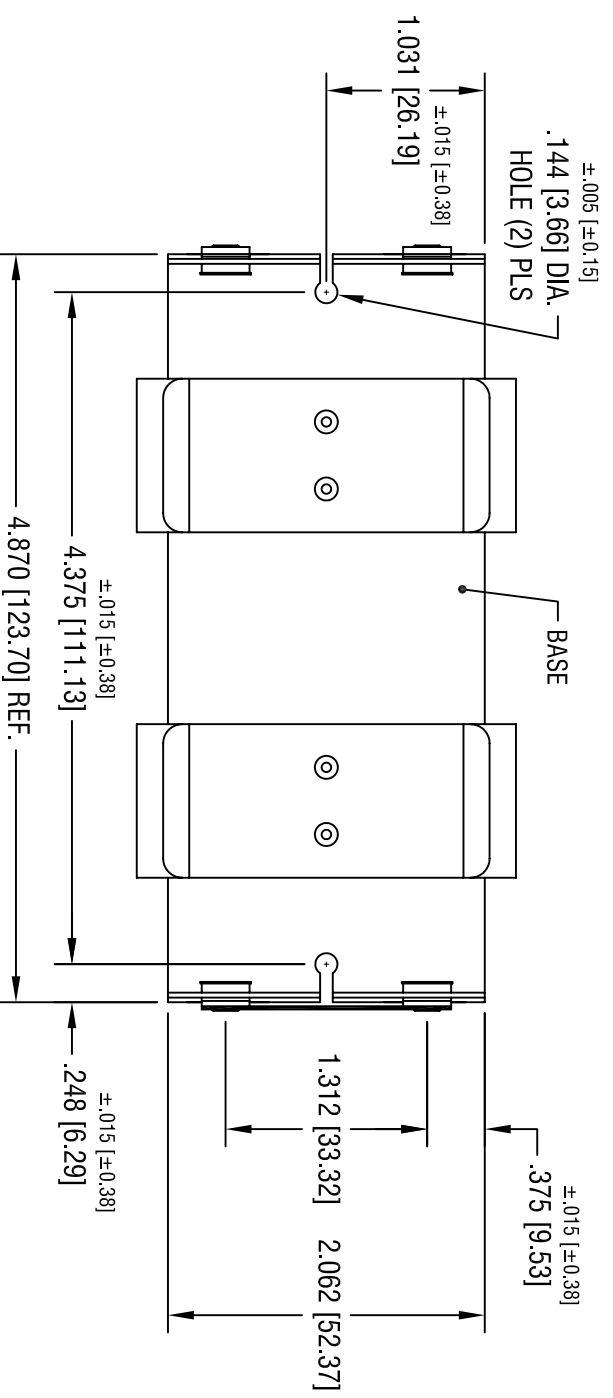


DATE	DESCRIPTION	REV.
10.2.83	REVISED	A



- NOTES:
1. BASE: MAT'L - .032 [.81] THK ALUMINUM
 - CLIP: MAT'L - .032 [.81] THK ALUMINUM
 - SOLDER LUG: MAT'L - BRASS
 - FINISH - TIN PLATE
 - JUMPER: MAT'L - BRASS
 - FINISH - TIN PLATE

THIS DOCUMENT IS THE PROPERTY OF KEYSTONE ELECTRONICS CORP. AND SHALL NOT BE REPRODUCED, DISTRIBUTED OR USED AS A BASIS FOR MANUFACTURE WITHOUT PRIOR WRITTEN PERMISSION FROM KEYSTONE ELECTRONICS CORP.

KEYSTONE ELECTRONICS CORP.			
ASTORIA, N.Y. 11105-2017			
PART NAME		BATTERY HOLDER, (4) 'D' CELLS	
MATERIAL		AS NOTED	
FINISH		AS NOTED	
TOLERANCES	INCH	[MM]	
DECIMAL	± .010	[± 0.25]	
ANGULAR	± 1°		
	CODE	DWG NO.	
	C		
	DRN BY	DATE	
	BOONE	12.31.81	
	App'D	SCALE	
		.8X	
158			