

# FLT-CP-PLUS-3C-350


Order No.: 2882653



<http://eshop.phoenixcontact.sk/phoenix/treeViewClick.do?UID=2882653>

Pluggable lighting current arrester, in acc. with type 1/class I/B for 3-phase power supply networks with combined PE and N (L1, L2, L3, PEN) installed in one cable.



Commercial data	
EAN	 4 046356 098236
Pack	1 pcs.
Customs tariff	85363010
Gross weight in pieces	1.18389 kg
Catalog page information	Page 28 (C-6-2013)

#### Product notes

WEEE/RoHS-compliant since:  
09.05.2006



Please note that the data given here has been taken from the online catalog. For comprehensive information and data, please refer to the user documentation at <http://www.download.phoenixcontact.com>. The General Terms and Conditions of Use apply to Internet downloads.

#### Technical data

##### Dimensions

Height	95 mm
Width	106.8 mm
Depth	71.5 mm
Horizontal pitch	6 Div.

### Ambient conditions

Degree of protection	IP20 (only when all terminal points are used)
Ambient temperature (operation)	-40 °C ... 80 °C
Ambient temperature (storage/transport)	-40 °C ... 80 °C
Altitude	≤ 2000 m (amsl (above mean sea level))
Permissible humidity (operation)	5 % ... 95 %
Shock (operation)	25g (half sinus / 11 ms / 3x ±X, ±Y, ±Z)
Vibration (operation)	5g (5 - 500 Hz/2.5 h/X, Y, Z)

### General

IEC power supply system	TN-C
Housing material	PBT
Inflammability class according to UL 94	V-0
Color	gray/blue black
Standards for air and creepage distances	EN 60664-1 IEC 60664-1 IEC 61643-11
Mounting type	DIN rail: 35 mm
Type	DIN rail module, two-section, divisible
Number of positions	3
Surge protection fault message	Optical, remote indicator contact
Direction of action	3L-N/PE

### Protective circuit

IEC test classification	I / II T1 / T2
EN type	T1 / T2
Lightning protection class	II
Maximum continuous operating voltage $U_C$ (L-PEN)	350 V AC
Nominal frequency $f_N$	50 Hz (60 Hz)
Rated load current $I_L$	125 A (< 55 °C)
Max. discharge current $I_{max}$ (8/20) $\mu$ s maximum (L-PEN)	50 kA
Nominal discharge current $I_n$ (8/20) $\mu$ s (L-PEN)	25 kA
Impulse discharge current (10/350) $\mu$ s charge	12.5 As

Impulse discharge current (10/350)□μs, specific energy	160.00 kJ/Ω
Impulse discharge current (10/350)□μs, peak value $I_{imp}$	25 kA
Front of wave sparkover voltage at 6 kV (1.2/50) μs (L-PEN)	≤ 1.5 kV
Voltage protection level $U_p$ (L-PEN)	≤ 1.5 kV
Residual voltage (L-N)	≤ 1.5 kV
Response time (L-PEN)	≤ 100 ns
Max. required backup fuse with branch wiring	315 A AC (gG)
Max. required backup fuse with V-type through wiring	125 A AC (gG)
Recommended backup fuse maximum	160 A (gL/gG, 125 A with serial through wiring)
Follow current quenching capacity $I_f$ (L-PEN)	50 kA

**Connection, protective circuit**

Connection method	Screw terminal blocks
Connection type IN	Biconnect screw terminal block
Connection type OUT	Biconnect screw terminal block
Connection method	Biconnect terminal block
Screw thread	M5
Tightening torque	4.5 Nm
	40 lb <sub>f</sub> -in. (UL)
Stripping length	18 mm
Conductor cross section stranded min.	2.5 mm <sup>2</sup>
Conductor cross section stranded max.	25 mm <sup>2</sup>
Conductor cross section solid min.	2.5 mm <sup>2</sup>
Conductor cross section solid max.	35 mm <sup>2</sup>
AWG conductor cross section	13 ... 2
	12 ... 2 (UL)

**Remote indicator contact**

Connection name	Remote fault indicator contact
Switching function	PDT contact
Connection method	Plug-in/screw connection via COMBICON
Screw thread	M2
Tightening torque	0.25 Nm
	4 lb <sub>f</sub> -in. (UL)

Stripping length	7 mm
Conductor cross section stranded min.	0.14 mm <sup>2</sup>
Conductor cross section stranded max.	1.5 mm <sup>2</sup>
Conductor cross section solid min.	0.14 mm <sup>2</sup>
Conductor cross section solid max.	1.5 mm <sup>2</sup>
AWG conductor cross section	28 ... 16
	30 ... 14 (UL)
Maximum operating voltage U <sub>max</sub> AC	250 V AC
Maximum operating voltage U <sub>max</sub> DC	125 V DC
Max. operating current I <sub>max</sub>	1 A AC (inductive)
	1 A AC (ohmic)
	30 mA DC (inductive)
	200 mA DC (ohmic)

#### Standards and Regulations

Standards/regulations	IEC 61643-11 2011
	EN 61643-11 2012

#### Certificates



Certification

cULus Recognized, GOST, KEMA-KEUR, GL

Certifications applied for:

Certification Ex:

#### Accessories

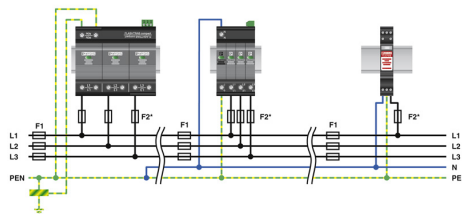
Item	Designation	Description
<b>Assembly</b>		
3022218	CLIPFIX 35	Quick mounting end clamp for NS 35/7,5 DIN rail or NS 35/15 DIN rail, with marking option, width: 9.5 mm, color: gray

### Marking

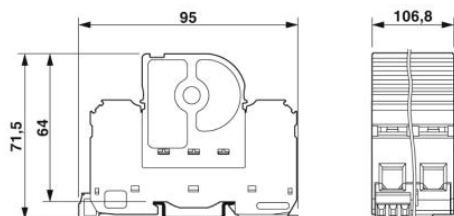
1051993	B-STIFT	Marker pen, for manual labeling of unprinted Zack strips, smear-proof and waterproof, line thickness 0.5 mm
0803595	ZBFM 5/WH:UNBEDRUCKT	Flat zack marker sheet, Sheet, white, unlabeled, can be labeled with: Plotter, Mounting type: Snap into flat marker groove, for terminal block width: 5.2 mm, Lettering field: 5 x 4.5 mm
2749589	ZBN 18,LGS:ERDE	Marker for terminal blocks, Strip, white, labeled, Horizontal: Grounding symbol, Mounting type: Snap into tall marker groove, for terminal block width: 18 mm, Lettering field: 18 x 5 mm
2749576	ZBN 18,LGS:L1-N,ERDE	Marker for terminal blocks, Strip, white, labeled, Horizontal: L1, L2, L3, N, GND, Mounting type: Snap into tall marker groove, for terminal block width: 18 mm, Lettering field: 18 x 5 mm
0800763	ZBN 18:SO/CMS	Zack marker strip, white, for terminal block width: 18 mm
2809128	ZBN 18:UNBEDRUCKT	Zack marker strip, Strip, white, unlabeled, can be labeled with: Plotter, Mounting type: Snap into tall marker groove, for terminal block width: 18 mm, Lettering field: 18 x 5 mm
2809128	ZBN 18:UNBEDRUCKT	Zack marker strip, Strip, white, unlabeled, can be labeled with: Plotter, Mounting type: Snap into tall marker groove, for terminal block width: 18 mm, Lettering field: 18 x 5 mm

### Drawings

#### Application drawing

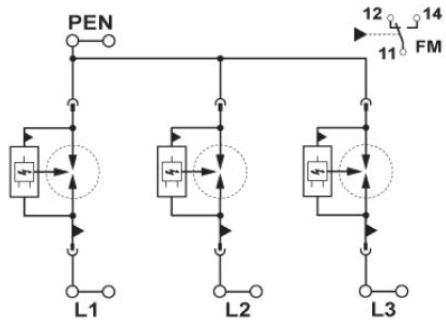


#### Dimensioned drawing



Circuit diagram

---



**Address**

PHOENIX CONTACT, s.r.o.  
Mokráň záhon 4  
821 04 Bratislava, Slovakia  
Phone +420 542 213 401  
Fax +421 2 3210 1479  
<http://www.phoenixcontact.sk>

© 2014 Phoenix Contact  
Technical modifications reserved;