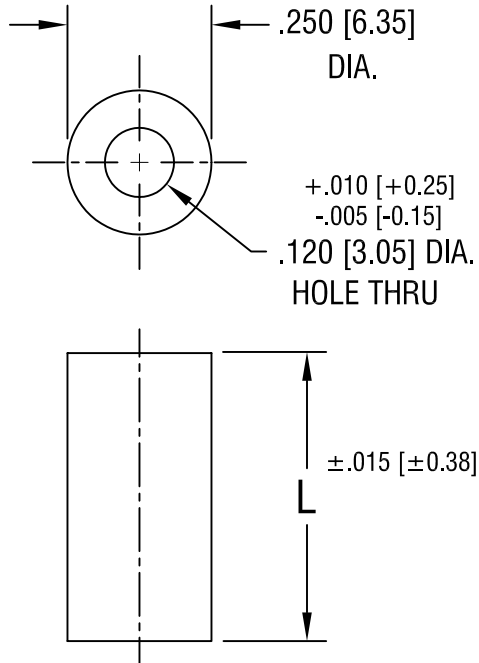


THIS DOCUMENT IS THE PROPERTY OF
KEYSTONE ELECTRONICS CORP. AND
SHALL NOT BE REPRODUCED, DISTRIBUTED
OR USED AS A BASIS FOR MANUFACTURE
WITHOUT PRIOR WRITTEN PERMISSION
FROM KEYSTONE ELECTRONICS CORP.



PART NO.	'L' DIM.
875	.125 [3.18]
876	.250 [6.35]
877	.375 [9.52]
878	.500 [12.70]
879	.625 [15.88]
880	.750 [19.05]
881	.875 [22.23]
882	1.000 [25.4]

KEYSTONE ELECTRONICS CORP.			
ASTORIA, N.Y. 11105-2017			
PART NAME			
NYLON THRU-HOLE SPACER			
MATERIAL			
NYLON 6/6			
FINISH		DRN BY	DATE
-		BOONE	2.10.98
		APPD	SCALE
			3X
TOLERANCES	INCH [MM]	CODE	DWG NO.
DECIMAL	± .005 [± 0.15]	C/M	875-882
ANGULAR	± 1°		
UNLESS OTHERWISE SPECIFIED			

5.21.04	CHANGE AS PER ECN 04-039	A
DATE	DESCRIPTION	REV.