



Specifications Sheet

Product Type : Security Buzzer

Product Series : SB3

Description : SB BUZZER SIREN 12VDC L/W ABS RoHS

Color : Black

Electrical Specifications

Model No.	SB3-R-012-115-LA	
Rated Voltage (VDC)	12.0	
Operating Voltage (VDC)	6.0 ~ 15.0	
* Max. Rated Current (mA)	150.0 ± 50.0	
* Min. Sound Output (dBA / 30.0 cm)	115.0	
Frequency (Hz)	2300.0 ~ 4300.0	
Tone Nature	Siren	
Operating Temperature (°C)	-15.0 ~ +60.0	
Storage Temperature (°C)	-30.0 ~ +80.0	
Terminal	Red & Black Leadwire (420.0 ± 20.0 mm , AWG#24)	
Housing Material	ABS	
Weight (g)	66.0	

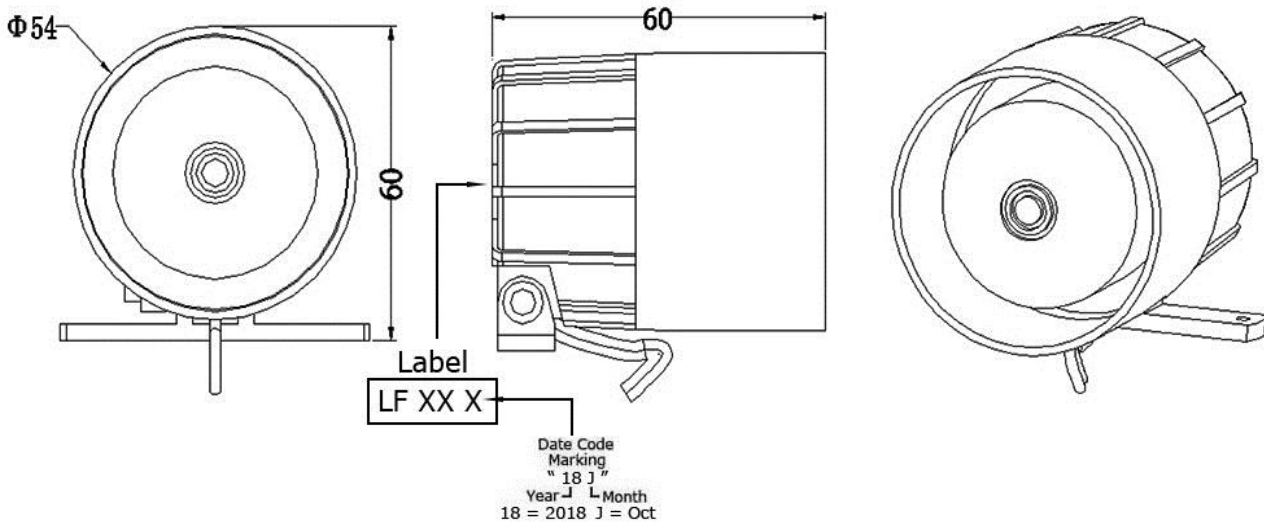
* Value Applying At Rate Voltage

Dimensions

Unit : mm

TOP VIEW

SIDE VIEW



Approved By :
Date : 19 Oct 2018

Prepared By :
Date : 19 Oct 2018

Modify :	Date :	By :