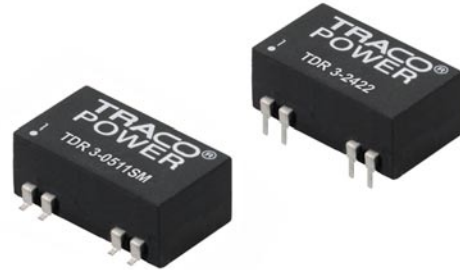


#### Features

- ◆ Compact design in SMD or DIP package
- ◆ Wide 2:1 input voltage range
- ◆ Fully regulated outputs
- ◆ Low ripple and noise
- ◆ No minimum load required
- ◆ Temperature range  $-40^{\circ}\text{C}$  to  $+85^{\circ}\text{C}$
- ◆ I/O isolation 1500 VDC
- ◆ Continuous short-circuit protection
- ◆ Remote On/Off control
- ◆ Fully RoHS compliant
- ◆ 3-year product warranty



The TDR-3 series is a family of compact 3 W dc/dc-converters with 2:1 input voltage ranges and tightly regulated output voltages even under no load conditions. The product is available in SMD-package or in DIP-package. They work with high efficiency over the full load range and come with a remote On/Off input.

The usability in temperature ranges of up to  $85^{\circ}\text{C}$ , continuous short circuit protection and excellent immunity against environmental influences make these converters very reliable.

A TDR-3 converter is the ideal solution for space critical high end applications in communication equipment, instrumentation and industrial electronics.

#### Models

Order code DIP models	Order code SMD models	Input voltage range	Output voltage	Output current max.	Efficiency typ.
TDR 3-0511	TDR 3-0511SM	<b>4.5 – 9.0 VDC</b> (5 VDC nominal)	5.0 VDC	600 mA	79 %
TDR 3-0512	TDR 3-0512SM		12 VDC	250 mA	80 %
TDR 3-0513	TDR 3-0513SM		15 VDC	200 mA	81 %
TDR 3-0522	TDR 3-0522SM		$\pm 12$ VDC	$\pm 125$ mA	80 %
TDR 3-0523	TDR 3-0523SM		$\pm 15$ VDC	$\pm 100$ mA	81 %
TDR 3-1211	TDR 3-1211SM	<b>9 – 18 VDC</b> (12 VDC nominal)	5.0 VDC	600 mA	81 %
TDR 3-1212	TDR 3-1212SM		12 VDC	250 mA	82 %
TDR 3-1213	TDR 3-1213SM		15 VDC	200 mA	82 %
TDR 3-1222	TDR 3-1222SM		$\pm 12$ VDC	$\pm 125$ mA	82 %
TDR 3-1223	TDR 3-1223SM		$\pm 15$ VDC	$\pm 100$ mA	83 %
TDR 3-2411	TDR 3-2411SM	<b>18 – 36 VDC</b> (24 VDC nominal)	5.0 VDC	600 mA	81 %
TDR 3-2412	TDR 3-2412SM		12 VDC	250 mA	82 %
TDR 3-2413	TDR 3-2413SM		15 VDC	200 mA	83 %
TDR 3-2422	TDR 3-2422SM		$\pm 12$ VDC	$\pm 125$ mA	83 %
TDR 3-2423	TDR 3-2423SM		$\pm 15$ VDC	$\pm 100$ mA	83 %
TDR 3-4811	TDR 3-4811SM	<b>36 – 75 VDC</b> (48 VDC nominal)	5.0 VDC	600 mA	81 %
TDR 3-4812	TDR 3-4812SM		12 VDC	250 mA	82 %
TDR 3-4813	TDR 3-4813SM		15 VDC	200 mA	82 %
TDR 3-4822	TDR 3-4822SM		$\pm 12$ VDC	$\pm 125$ mA	83 %
TDR 3-4823	TDR 3-4823SM		$\pm 15$ VDC	$\pm 100$ mA	83 %

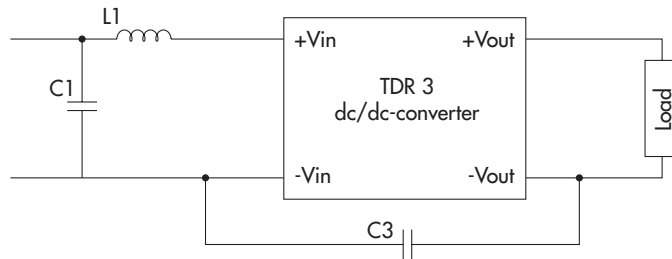


**General Specifications**

Temperature ranges	- Operating - Storage	-40°C to +85°C -55°C to +125°C
Load derating		3.3 %/K above +70°C
Humidity (non condensing)		5 % to 90 % rel. H max.
Thermal shock		acc. MIL-STD-810F
Vibration		acc. MIL-STD-810F
Reliability, calculated MTTF (MIL-HDBK-217F, @ +25°C, ground benign)		>2.4 Mio h
Isolation voltage (60 sec)	- Input/Output	1500 VDC
Isolation capacity	- Input/Output	50 pF max.
Isolation resistance	- Input/Output (500 VDC)	>10 GOhm
Safety standard (designed to meet)		IEC/EN 60950-1, UL 60950-1
Switching frequency		100 kHz (PWM)
Remote On/Off	- On: - Off: - Off stand by input current	open or high impedance 2...4 mA current applied via 1KOhm resistor 2.5 mA max.

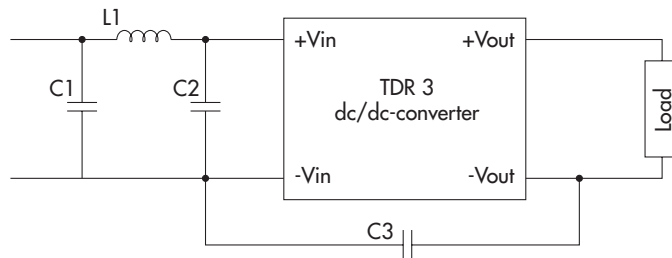
**EMC Consideration**

Recommended filter for  
**EN 55022 class A** compliance



Input models	C1	C3	L1		
			value	order code	datasheet
5 VDC	4.7 µF / 25 V 1812 MLCC	220pF / 3 kV 1808 MLCC	10 µH	<b>TCK-047</b>	<a href="http://www.tracopower.com/products/tck047.pdf">www.tracopower.com/products/tck047.pdf</a>
12 VDC	6.8 µF / 50 V 1812 MLCC		12 µH	<b>TCK-062</b>	<a href="http://www.tracopower.com/products/tck062.pdf">www.tracopower.com/products/tck062.pdf</a>
24 VDC	4.7 µF / 50 V 1812 MLCC		10 µH	<b>TCK-047</b>	<a href="http://www.tracopower.com/products/tck047.pdf">www.tracopower.com/products/tck047.pdf</a>
48 VDC	4.7 µF / 100 V 1812 MLCC		10 µH		

Recommended filter for  
**EN 55022 class B** compliance



Input models	C1 & C2	C3	L1		
			value	order code (SMD type)	datasheet
5 VDC	6.8 µF / 25 V 1812 MLCC	220pF / 3 kV 1808 MLCC	10 µH	<b>TCK-047</b>	<a href="http://www.tracopower.com/products/tck047.pdf">www.tracopower.com/products/tck047.pdf</a>
12 VDC	4.7 µF / 50 V 1812 MLCC		12 µH	<b>TCK-062</b>	<a href="http://www.tracopower.com/products/tck062.pdf">www.tracopower.com/products/tck062.pdf</a>
24 VDC			18 µH	<b>TCK-046</b>	<a href="http://www.tracopower.com/products/tck046.pdf">www.tracopower.com/products/tck046.pdf</a>
48 VDC	4.7 µF / 100 V 1812 MLCC		18 µH		

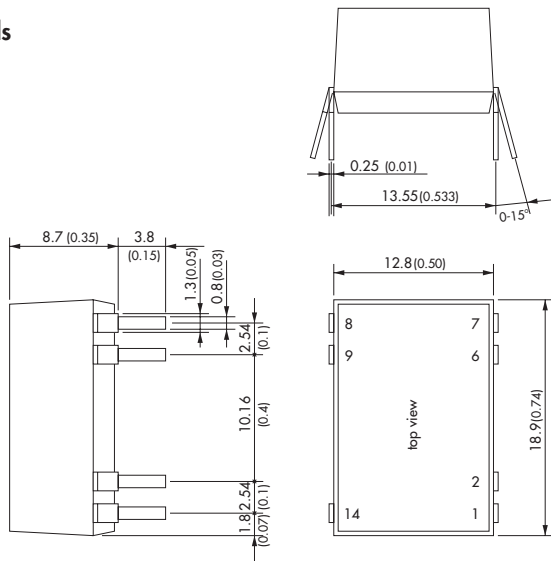
All specifications valid at nominal input voltage, full load and +25°C after warm-up time unless otherwise stated.

**Physical Specifications**

Casing material	non-conductive plastic (UL94V-0 rated)
Package weight	4.5 g (0.16 oz)
Soldering profile for DIP-package models	max. 265°C / 10 sec. (wave soldering)
Lead-free reflow solder process for SMD-package models	as per J-STD-020D.01 (to find at: <a href="http://www.jedec.org">www.jedec.org</a> - free registration required)
Moisture sensitivity level (for SMD-package models)	level 2a as per J-STD-033B.01 (to find at: <a href="http://www.jedec.org">www.jedec.org</a> - free registration required)

**Outline Dimensions**

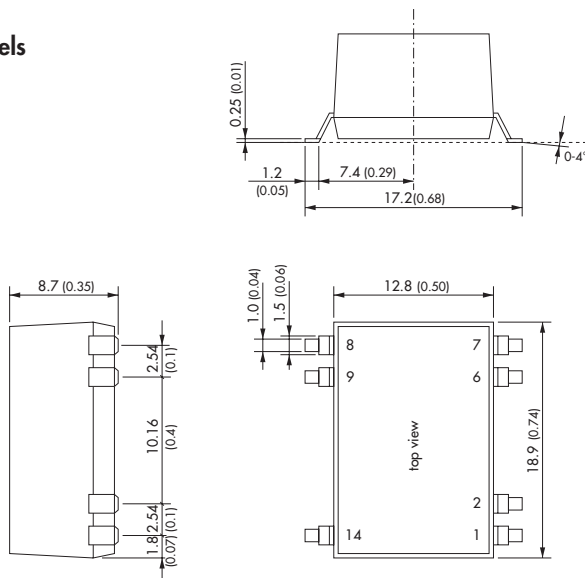
**DIP-Models**



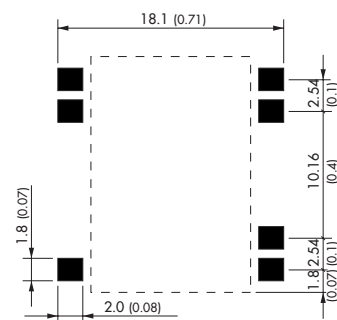
Pin-Out		
Pin	Single	Dual
1	-Vin (GND)	-Vin (GND)
2	Remote On/Off	Remote On/Off
6	NC	Common
7	NC	-Vout
8	+Vout	+Vout
9	-Vout	Common
14	+Vin (Vcc)	+Vin (Vcc)

NC = not to connect

**SMD-Models**



**Recommended Solder Pad Dimension:**



Dimensions in [mm], ( ) = Inch  
Tolerances: ±0.5 (±0.02)  
Pin pitch tolerances: ±0.25 (±0.01)

Specifications can be changed any time without notice.