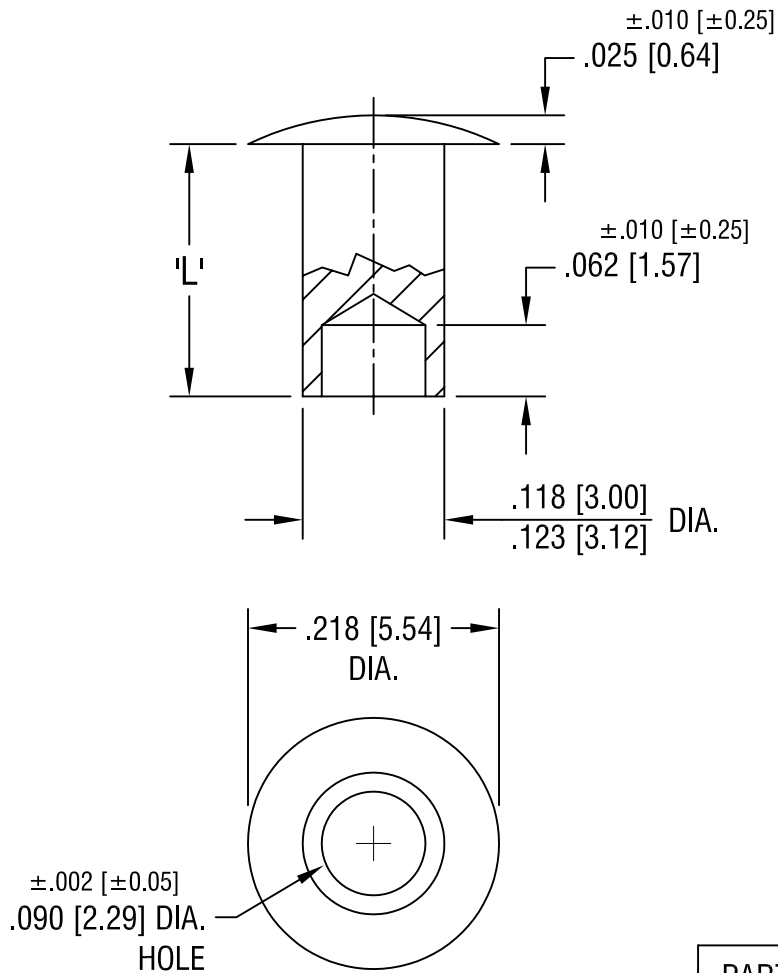


THIS DOCUMENT IS THE PROPERTY OF
KEYSTONE ELECTRONICS CORP. AND
SHALL NOT BE REPRODUCED, DISTRIBUTED
OR USED AS A BASIS FOR MANUFACTURE
WITHOUT PRIOR WRITTEN PERMISSION
FROM KEYSTONE ELECTRONICS CORP.



| PART NO. | 'L' DIM. |
|----------|-------------|
| 3388 | .156 [3.96] |
| 3389 | .187 [4.75] |
| 3390 | .218 [5.54] |
| 3391 | .250 [6.35] |

| | | | |
|-----------------------------------|---------------------------|--------|------------------|
| KEYSTONE ELECTRONICS CORP. | | | |
| ASTORIA, N.Y. 11105-2017 | | | |
| PART NAME | | | |
| RIVET, SEMI-TUBULAR | | | |
| MATERIAL | | | |
| BRASS | | | |
| FINISH | | DRN BY | DATE |
| DUCTILE NICKEL PLATE | | BOONE | 8.26.82 |
| | | APP'D | SCALE |
| | | LN | 6X |
| TOLERANCES | INCH [MM] | CODE | DWG NO. |
| DECIMAL | $\pm .005$ [± 0.15] | C/M | 3388-3391 |
| ANGULAR | $\pm 1^\circ$ | | |
| UNLESS OTHERWISE SPECIFIED | | | |

| | | |
|---------|--------------------------|------|
| 2.26.08 | CHANGE AS PER ECN 08-090 | A |
| DATE | DESCRIPTION | REV. |