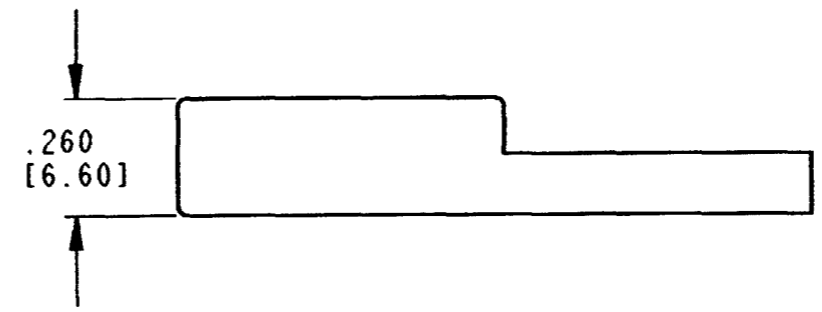
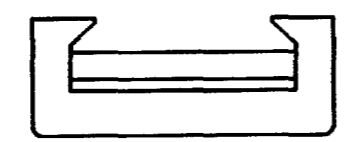
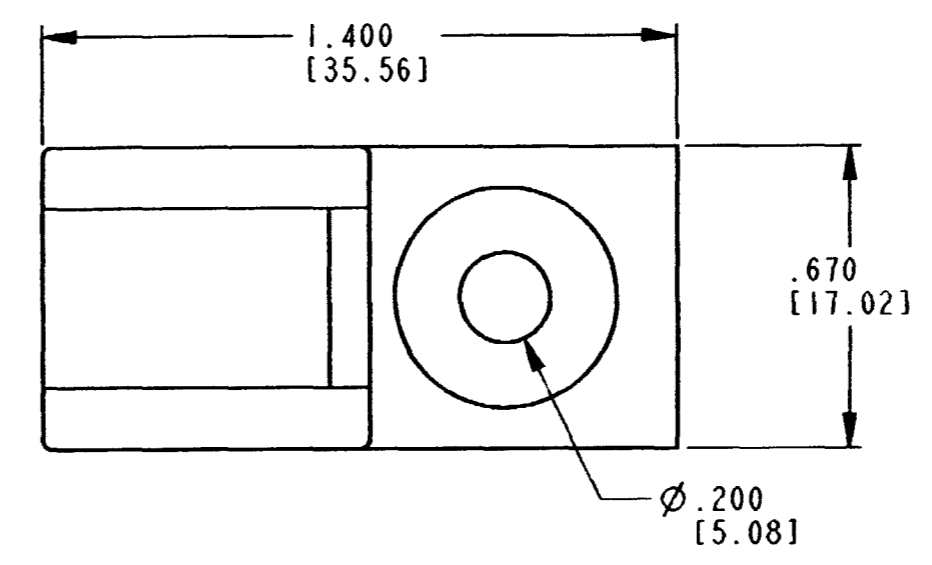
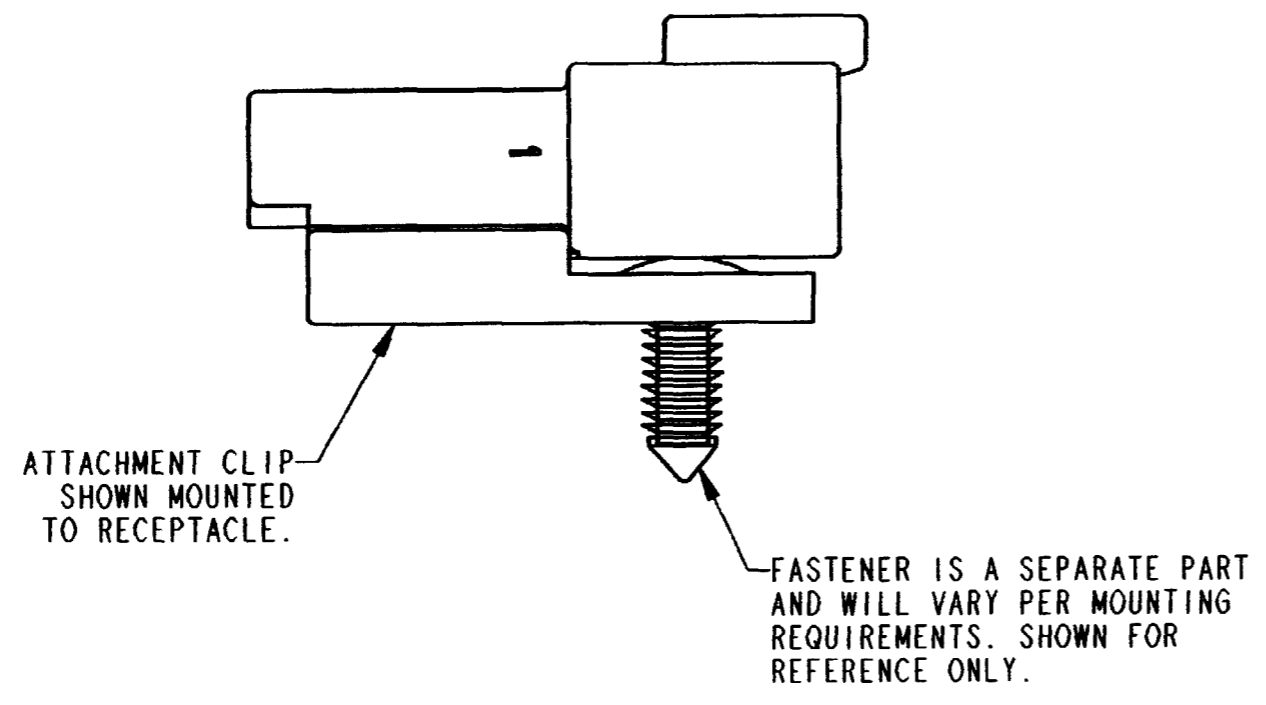


REV
A 1011-026-0205

REVISIONS			
SYM	DESCRIPTION	DATE	APPROVED
NC	NEW RELEASE PER E.O. A13754	1/10/92	
A	REVISED PER E.O. P19489	3-16-07	RDR



- NOTES:
1. ALL DIMENSIONS ARE IN INCHES [MILLIMETERS].
 2. ALL DIMENSIONS ARE ± .025 [.64] UNLESS OTHERWISE SPECIFIED.
 3. MATERIAL: PLASTIC; COLOR: GRAY.

SIGNATURE & DATE	
DR	A. MALAGON 27 FEB 07
CHK	R. B. [Signature] 3/16/07
PE	R. [Signature] 2/28/07
APPD	S. [Signature] 2/28/07
SCALE	NONE
WT	

ATTACHMENT CLIP
COLOR: GRAY
FOR
DT RECEPTACLE
SIZES 2,3,4,6,12

ENVELOPE

EP		MATL. CODE
The Deutch Company		
DEUTSCH I.P.D. 3850 INDUSTRIAL AVE. HEMET, CALIF. 92545		
B	1011-026-0205	
DWG SIZE	CODE 11139	SHEET 1 OF 1