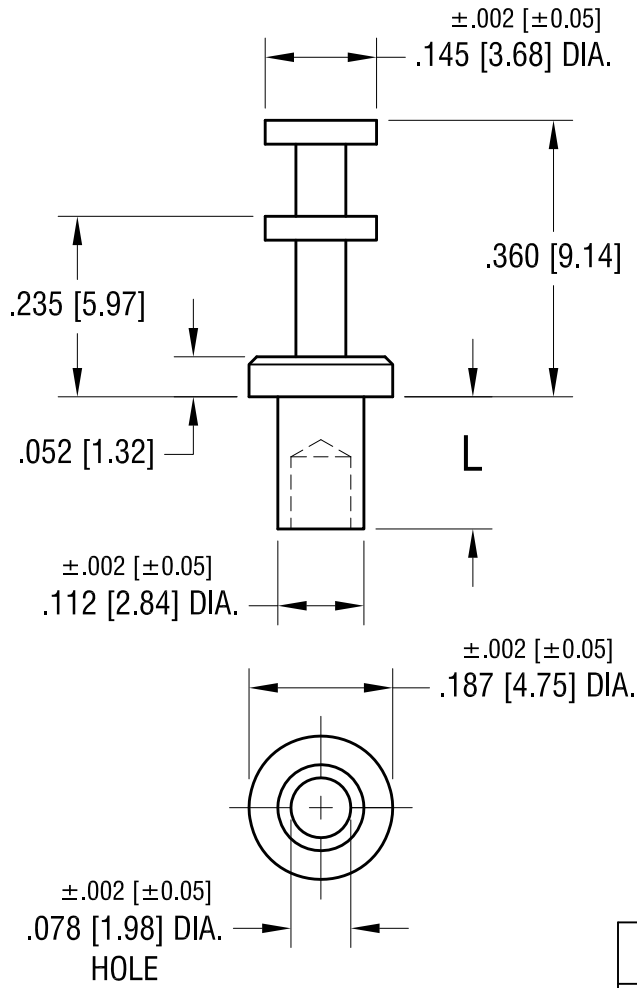


THIS DOCUMENT IS THE PROPERTY OF  
KEYSTONE ELECTRONICS CORP. AND  
SHALL NOT BE REPRODUCED, DISTRIBUTED  
OR USED AS A BASIS FOR MANUFACTURE  
WITHOUT PRIOR WRITTEN PERMISSION  
FROM KEYSTONE ELECTRONICS CORP.



PART NO.	'L' DIM.
1503-1	.078 [1.98]
1503-2	.109 [2.77]
1503-3	.141 [3.58]
1503-4	.172 [4.37]

DATE	DESCRIPTION	REV.
9.14.12	CHANGE AS PER ECN 12-142	C
8.30.12	CHANGE AS PER ECN 12-120	B
2.8.08	CHANGE AS PER ECN 08-076	A

**KEYSTONE ELECTRONICS CORP.**  
www.keyelco.com • ASTORIA, N.Y. 11105-2017 • Tel (718) 956-8900

PART NAME  
**SOLDER TERMINAL, DOUBLE TURRET**

MATERIAL  
**BRASS**

FINISH  
**TIN PLATE**

DRN BY **BOONE** DATE **3.6.02**

APP'D **LN** SCALE **4X**

TOLERANCES INCH [MM]  
DECIMAL  $\pm .005$  [ $\pm 0.15$ ]  
ANGULAR  $\pm 1^\circ$   
UNLESS OTHERWISE SPECIFIED

CODE  
**C**

DWG NO.  
**1503-**