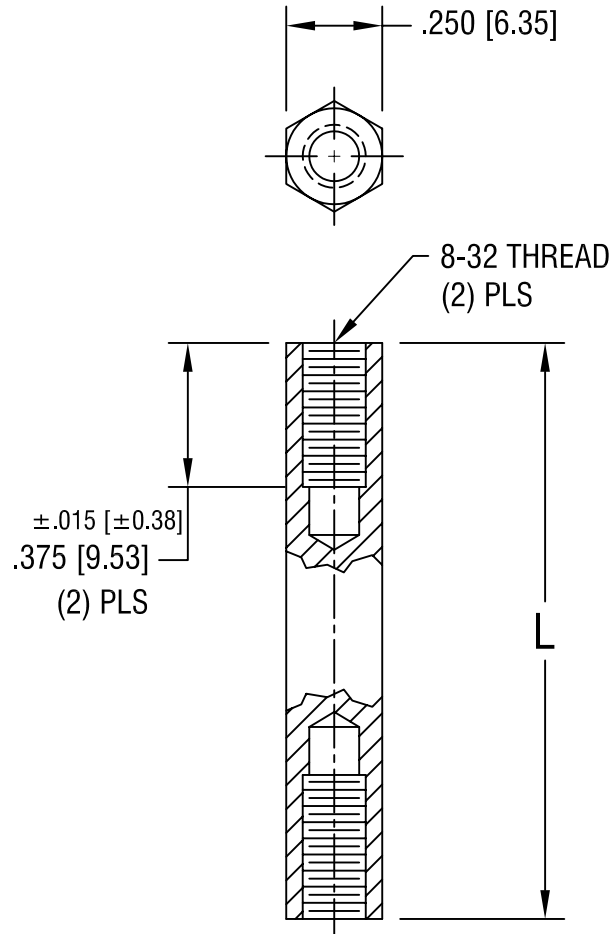


THIS DOCUMENT IS THE PROPERTY OF  
KEYSTONE ELECTRONICS CORP. AND  
SHALL NOT BE REPRODUCED, DISTRIBUTED  
OR USED AS A BASIS FOR MANUFACTURE  
WITHOUT PRIOR WRITTEN PERMISSION  
FROM KEYSTONE ELECTRONICS CORP.



| PART NO. | 'L' DIM.      |
|----------|---------------|
| 1923E    | 1.500 [38.10] |
| 1923F    | 2.000 [50.80] |

|                                   |  |        |                    |
|-----------------------------------|--|--------|--------------------|
| <b>KEYSTONE ELECTRONICS CORP.</b> |  |        |                    |
| ASTORIA, N.Y. 11105-2017          |  |        |                    |
| PART NAME                         |  |        |                    |
| HEX STAINLESS THREADED STANDOFF   |  |        |                    |
| MATERIAL                          |  |        |                    |
| STAINLESS STEEL                   |  |        |                    |
| FINISH                            |  | DRN BY | DATE               |
| -                                 |  | BOONE  | 6.14.96            |
|                                   |  | APPD   | SCALE              |
|                                   |  |        | 2X                 |
| TOLERANCES                        |  | INCH   | [MM]               |
| DECIMAL                           |  | ± .005 | [± 0.15 ]          |
| ANGULAR                           |  | ± 1°   |                    |
| UNLESS OTHERWISE SPECIFIED        |  | CODE   | DWG NO.            |
|                                   |  | C/M    | <b>1923E-1923F</b> |

| DATE | DESCRIPTION | REV. |
|------|-------------|------|
|      |             |      |