



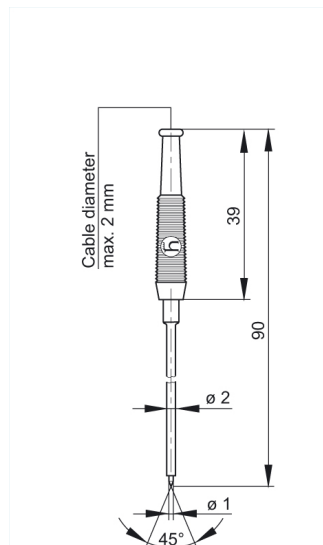
PRUEF 1 rot/red

Industrial Connectors:Measuring and Testing Equipment:Test probes:0.64 mm system

Product description

Description	Miniature test probe for sampling extremely small measuring points. Shatter-proof grip, may be unscrewed. The stainless steel tip easily penetrates insulation and oxide layers. Solder connection up to 0.5 mm ² .
Type	PRUEF 1 rot/red
Order No.	931 376-101
System	unrelated to system
Housing Color	red
Other standard types	black color, Order-No. 931 376-100

Drawing



Technical data

Type of contact	soldered
Type of termination	soldered
Rated voltage	DC 60 V
Contact resistance	50 mOhm

Material

Contact material	stainless steel
Contact surface material	nickel-plated
Housing material	PVC-P

Environmental conditions

Temperature range	-25 °C to +60 °C
-------------------	------------------

Inflammability class

Housing	94 HB
---------	-------