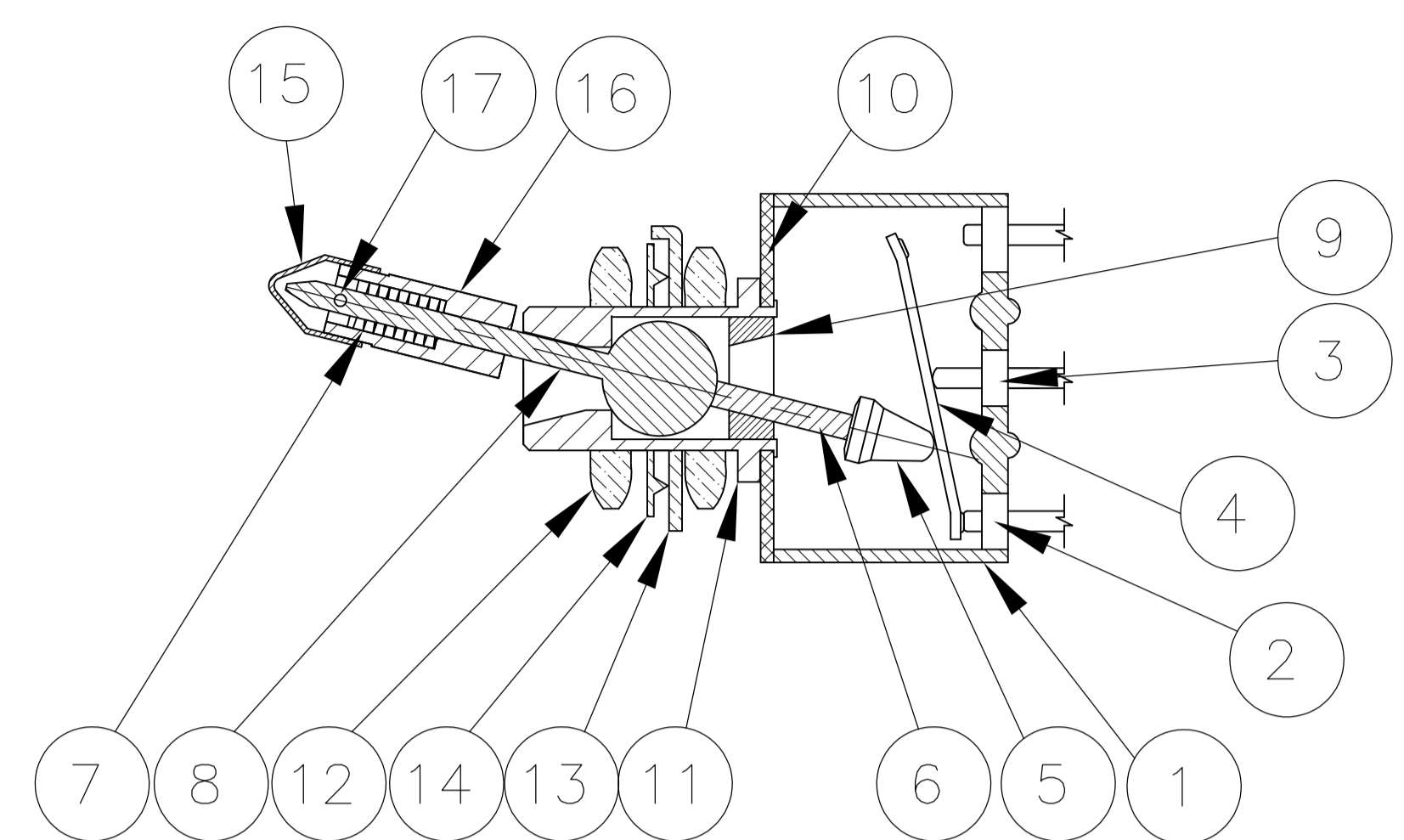
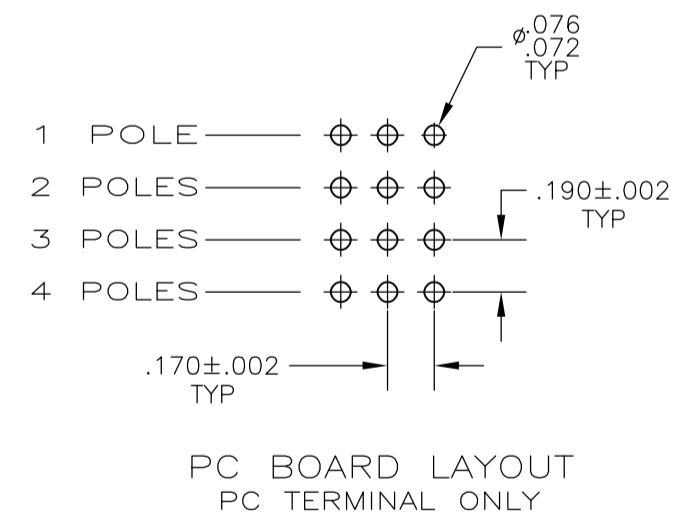
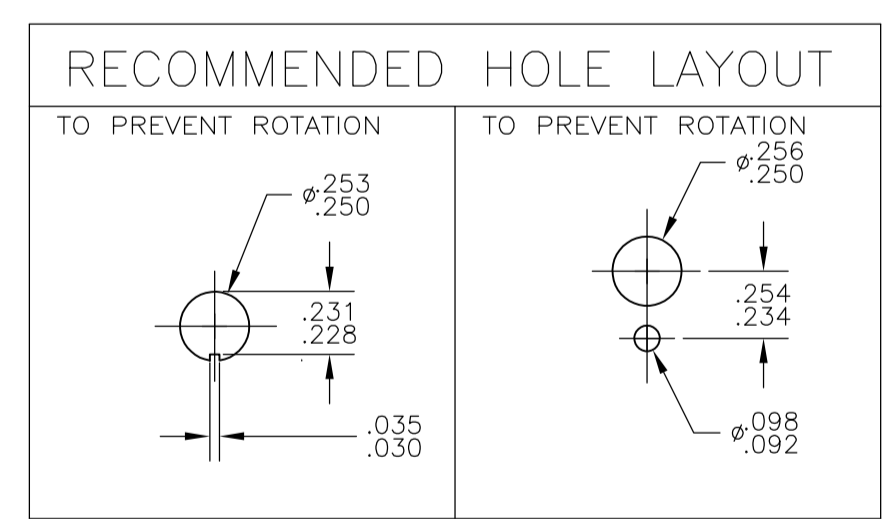


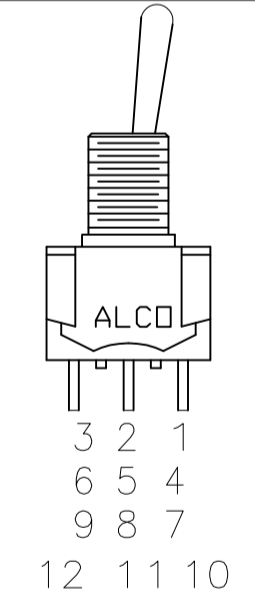
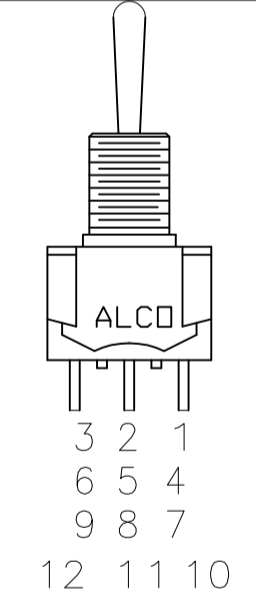
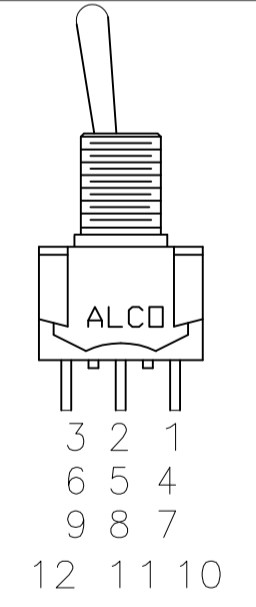
Materials			
No.	Component name	Base material	Finish
1	Housing	High Temp., UL 94V-0, green	
2	End terminal	silver clad copper alloy	5 microinches min. gold
3	Center terminal	copper alloy	5 microinches min. gold
4	Rocker contact	silver clad copper alloy	5 microinches min. gold
5	Actuator	Phenol resin, UL94 HB, black	
6	Plunger	stainless steel	
7	Spring	music wire	
8	Lever	brass	chrome or nickel
9	Retainer	Polyamide, UL94 HB, black	
10	Frame	cold rolled steel	zinc or nickel
11	Bushing	brass	100 microinches min. nickel over 10 microinches min. copper
12	Mounting nuts (2)	brass	200 microinches min. bright nickel
13	Locating ring	cold rolled steel	zinc or nickel
14	Internal tooth lockwasher	steel	zinc or nickel
15	Upper toggle cap	Aluminum	matte
16	Lower toggle cap	Aluminum	matte
17	Retaining pin	steel	



NOT TO SCALE

Specifications-see note 3				
Current rating UL & CSA	6A @ 125 VAC (resistive)			
	3A @ 250 VAC (resistive)			
	4A @ 28 VDC (resistive)			
Termination resistance	20 milliohms max @ 2-4 VDC, 1A			
Insulation resistance	1,000 megohms min.			
Withstanding voltage	1,000 VAC			
Travel	24 +/-6 degrees			
Actuation force	.05 to 1.5 kgf			
Operating temperature	-20C to +85C			
Storage temperature	-40C to +85C			
Contact timing	break before make			
Terminal seal	epoxy or insert molded			
Durability	Parameter	2 Position	3 Position	Momentary
	mechanical (no load)	150,000	100,000	80,000
	250 VAC (3A resistive)	80,000	60,000	60,000
	125 VAC (6A resistive)	80,000	60,000	60,000
	28 VDC (4A resistive)	60,000	50,000	40,000



Part Number	Alco Model	Poles	Throws	Function	Terminal				Comments
4-1437559-5	MTL406PA	2	3	ON ON ON	Wire lug	5-6, 11-12	5-3, 11-9	5-1, 11-7	note 7
4-1437559-4		4	2	ON ON	Wire lug	2-3, 5-6, 8-9, 11-12	---	2-1, 5-4, 8-7, 11-10	
4-1437559-3		3	2	ON OFF ON	Wire lug	2-3, 5-6, 8-9	Off	2-1, 5-4, 8-7	
4-1437559-2		3	2	ON ON	Wire lug	2-3, 5-6, 8-9	---	2-1, 5-4, 8-7	
4-1437559-1		2	2	(ON) OFF (ON)	Wire lug	2-3, 5-6	Off	2-1, 5-4	
4-1437559-0	MTL206PA	1	3	ON ON ON	Wire lug	5-6	5-3	5-1	note 6
3-1437559-9		2	2	ON OFF ON	Wire lug	2-3, 5-6	Off	2-1, 5-4	
3-1437559-8	MTL206NPC	2	2	ON ON	PC	2-3, 5-6	---	2-1, 5-4	
3-1437559-7		2	2	ON ON	Wire lug	2-3, 5-6	---	2-1, 5-4	
3-1437559-6	MTL106EUL	1	2	ON OFF ON	Wire lug	2-3	Off	2-1	
3-1437559-5		1	2	ON OFF ON	Wire lug	2-3	Off	2-1	
3-1437559-4		1	2	ON ON	Wire lug	2-3	---	2-1	

- TERMINAL NUMBERS ARE FOR REFERENCE ONLY AND DO NOT APPEAR ON THE SWITCHES.
- EACH SWITCH SUPPLIED WITH THE FOLLOWING MOUNTING HARDWARE:
(2) 1/4-40 UNS-2B HEX NUTS
(1) INTERNAL TOOTH LOCKWASHER
(1) LOCATING RING
- WIRE LUG CONTACTS WILL ACCEPT 2 #20 AWG SOLID OR STRANDED WIRES.
- CUSTOMER INSTALLED EXTERNAL JUMPER BETWEEN TERMINALS 2 AND 4 REQUIRED FOR 1 POLE 3 THROW FUNCTION.
- CUSTOMER INSTALLED EXTERNAL JUMPERS BETWEEN TERMINALS 2 AND 4 AS WELL AS 8 AND 10 REQUIRED FOR 2 POLE 3 THROW FUNCTION.
- OBSELETE
- LASER MARKING USED FOR PARTS.

SUPERCEDED BY 6-1437558-9

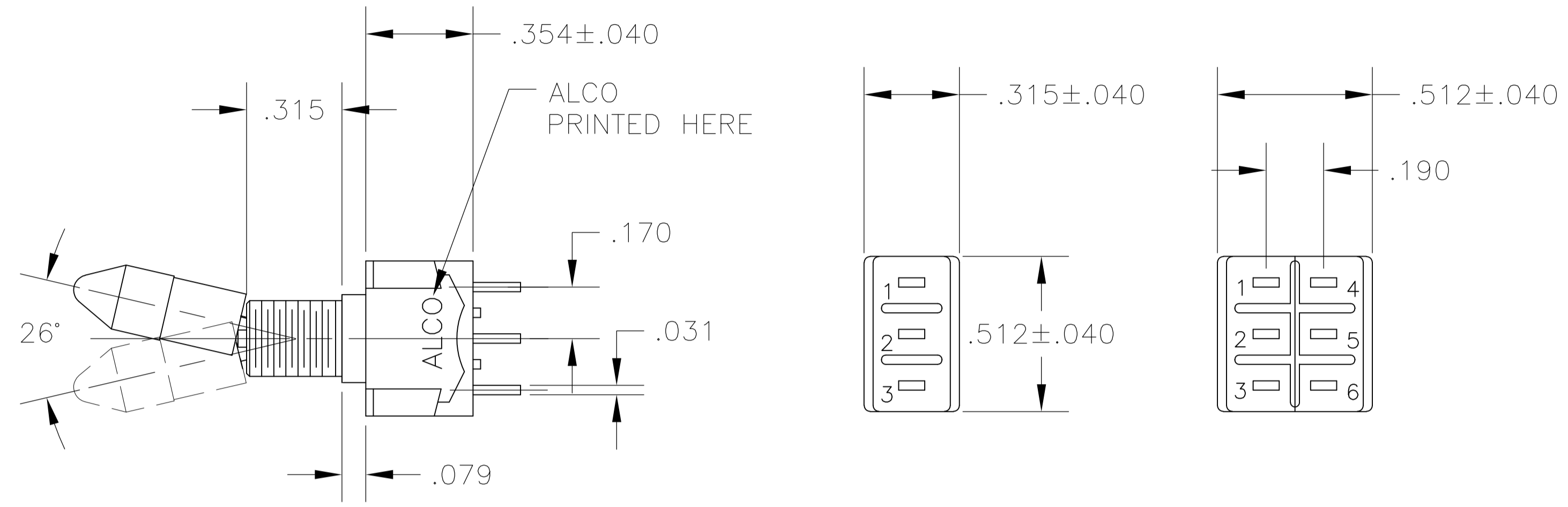
THIS DRAWING IS A CONTROLLED DOCUMENT.

DIMENSIONS: INCHES	TOLERANCES UNLESS OTHERWISE SPECIFIED:	DIN M. BINNER 29DEC03	APVD M. ZITTO 29DEC03	NAME
0. PLC ± .005	1. PLC ± .005	2. PLC ± .005	3. PLC ± .005	4. PLC ± .005
MATERIAL		WEIGHT		SIZE
				A1
		CUSTOMER DRAWING		SCALE 1:1 SHEET 1 OF 3 REV D5

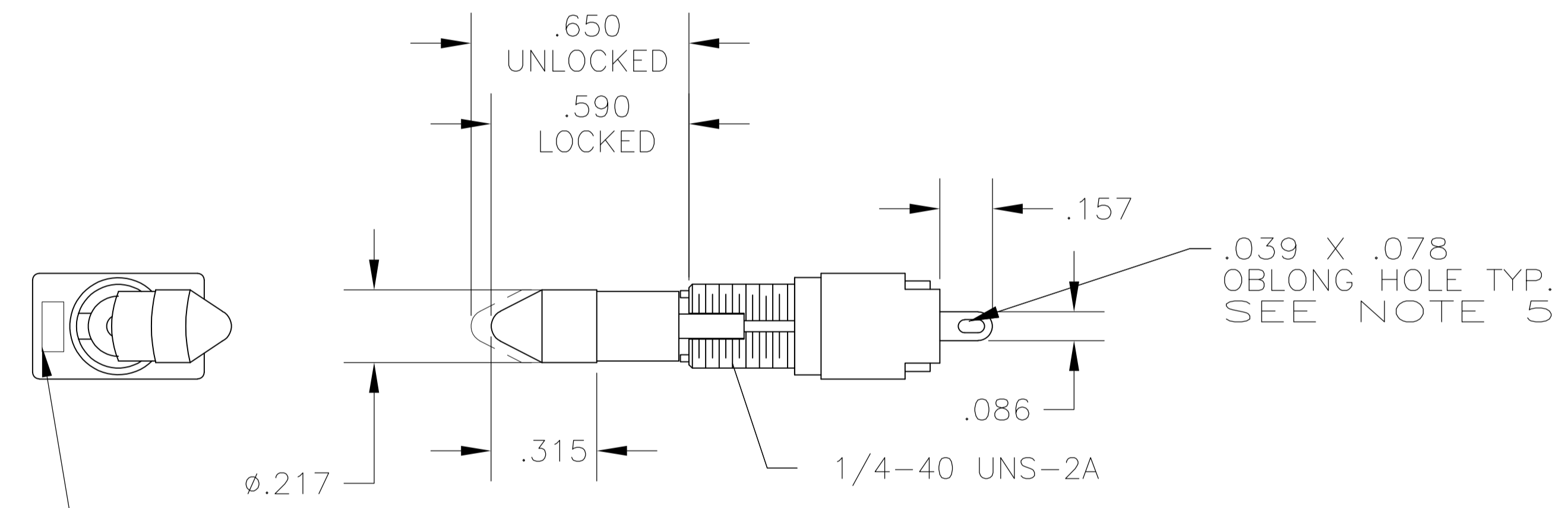
STE TE Connectivity

TOGGLE SWITCH, MTL SERIES VERTICAL MOUNT

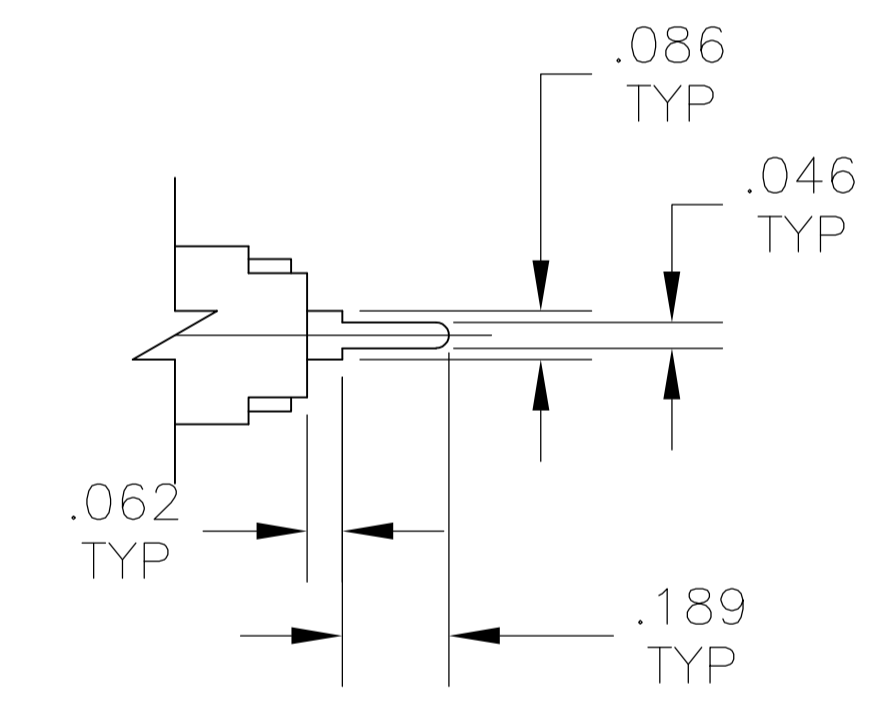
00779-3-1437559-7



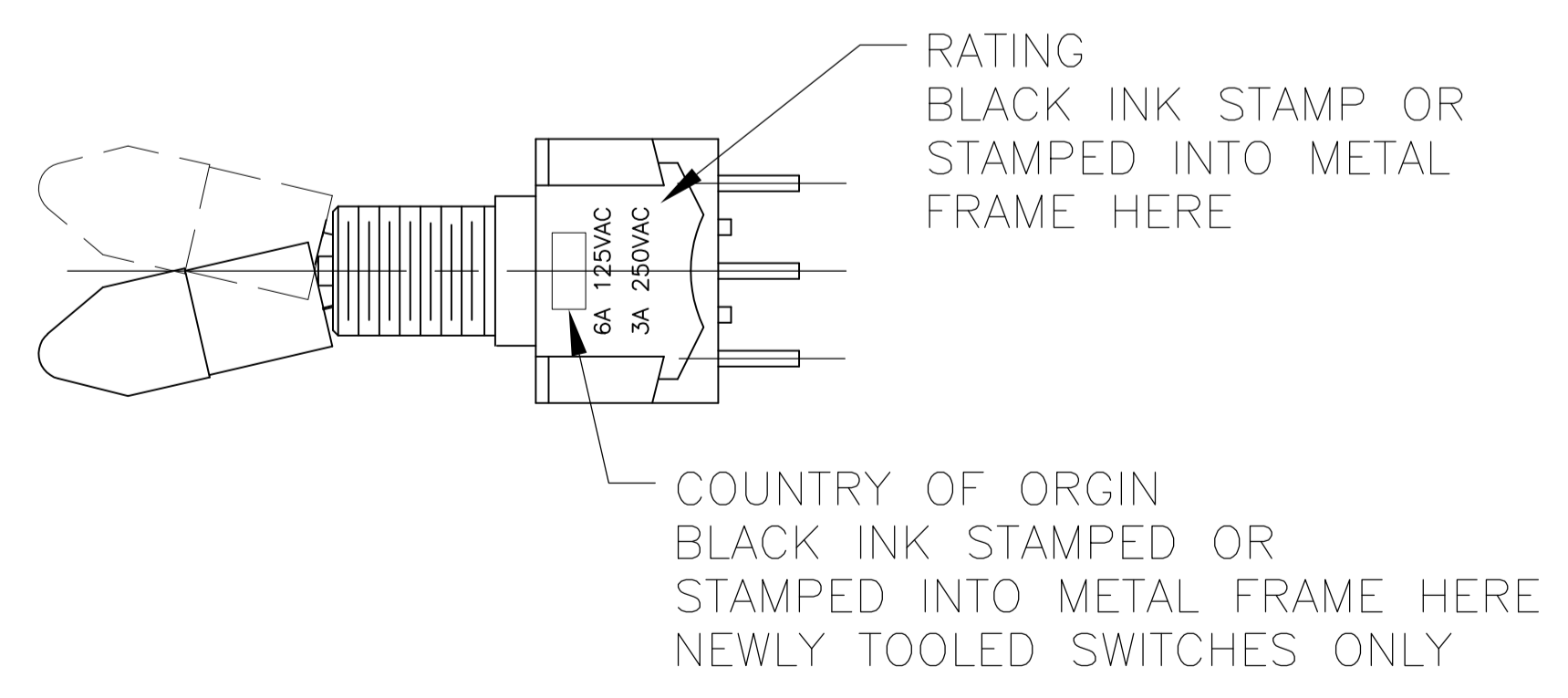
MTL-106 MTL-206



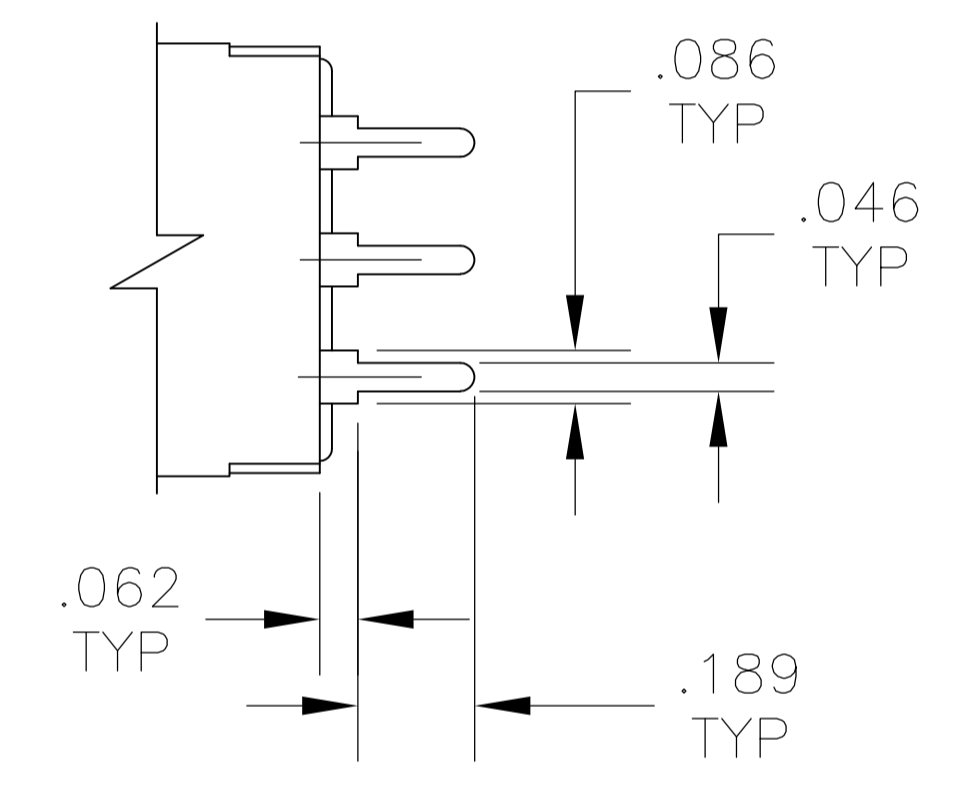
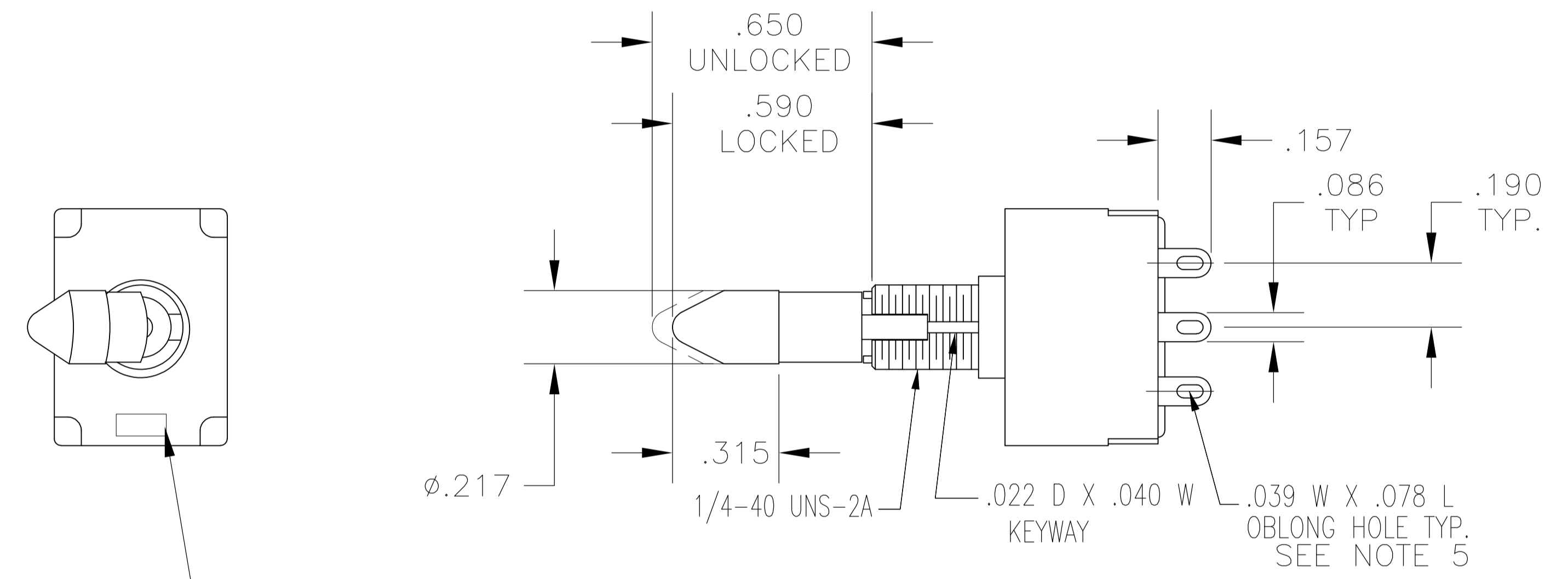
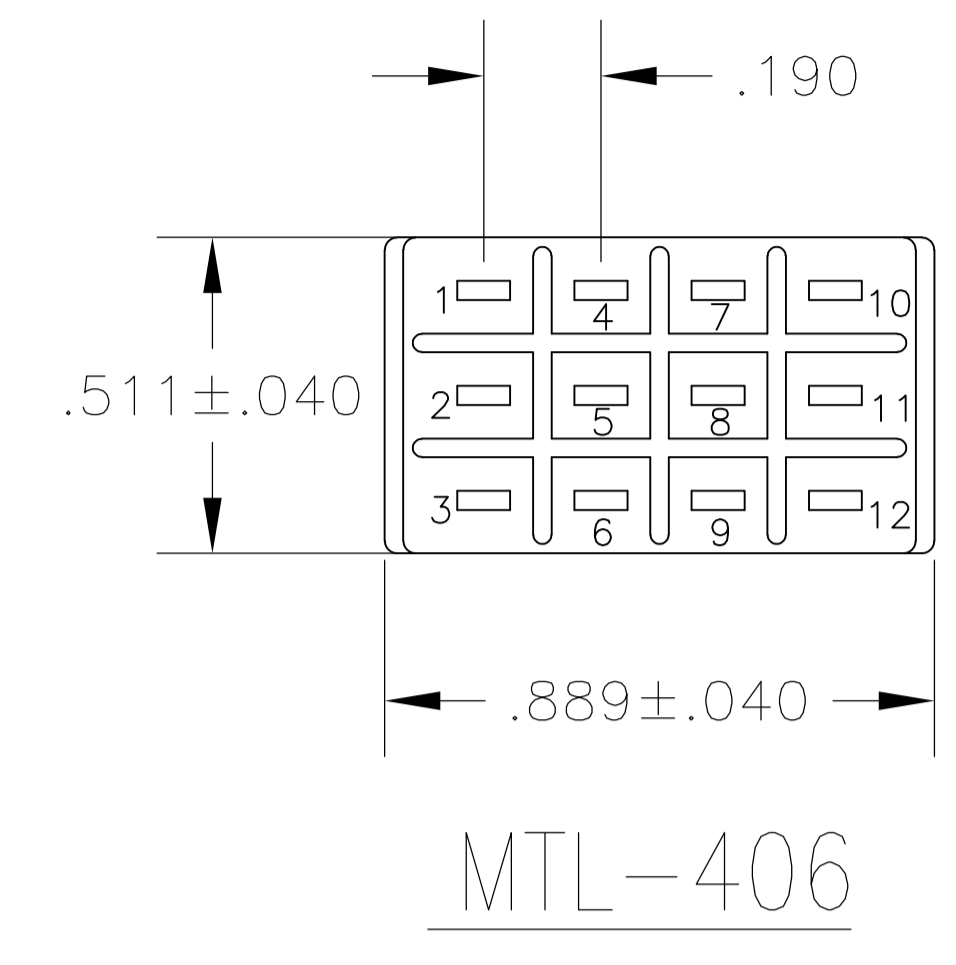
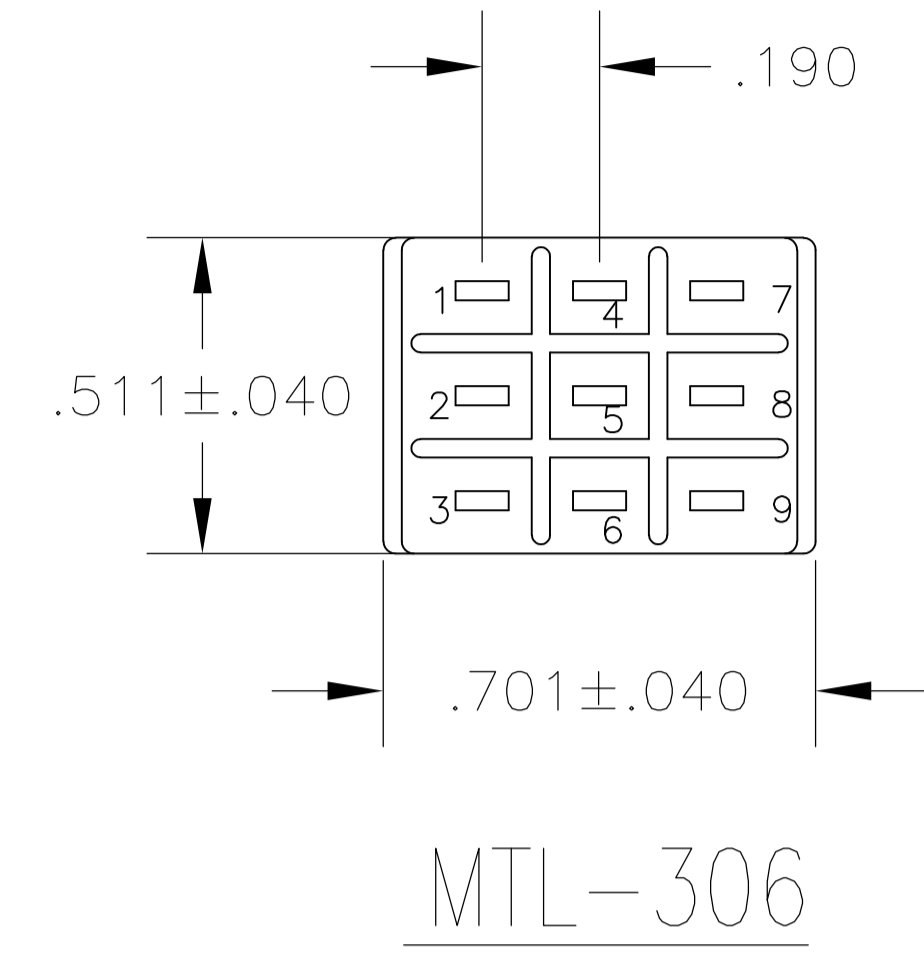
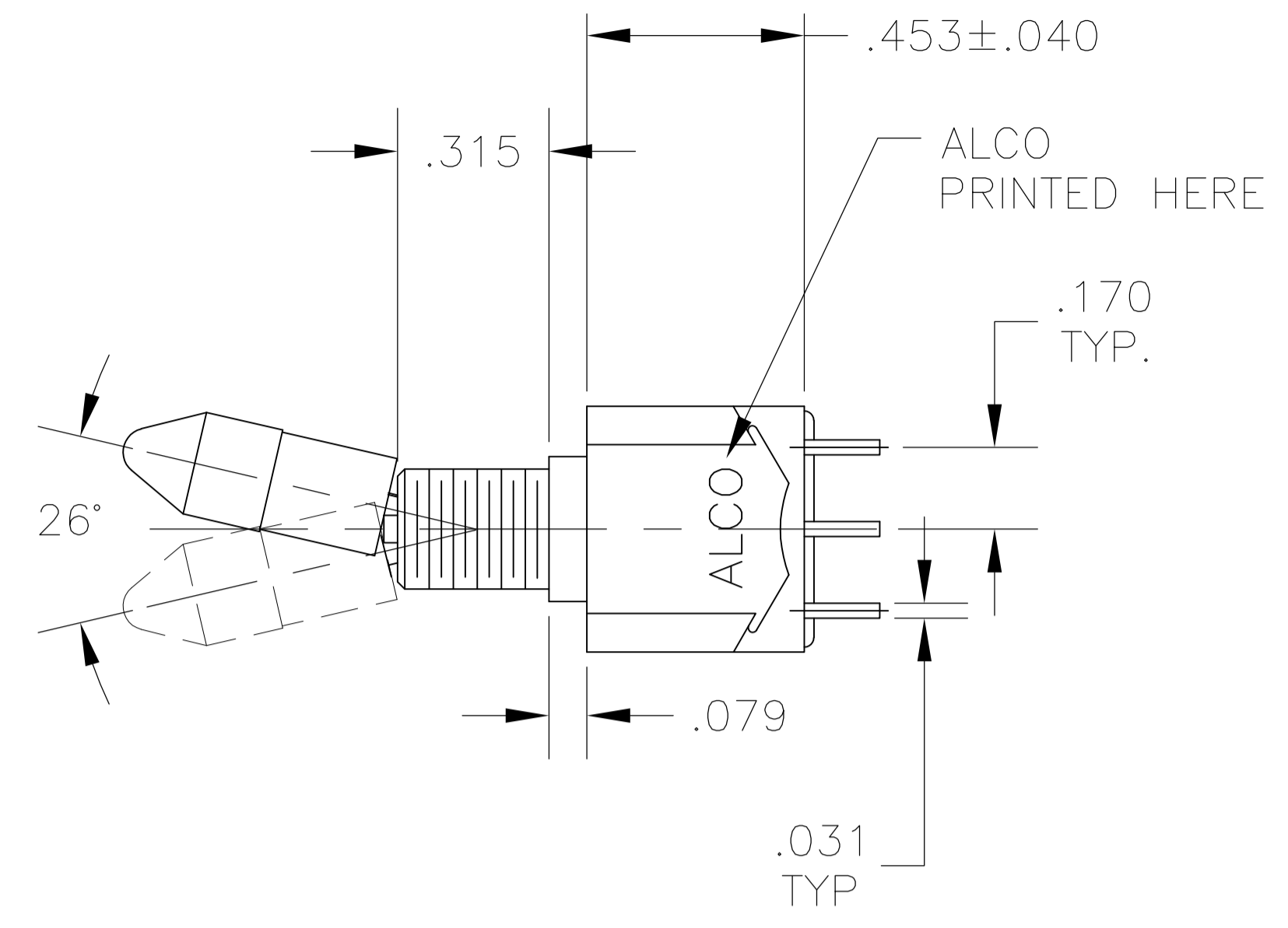
WIRE LUG TERMINAL



PC TERMINAL



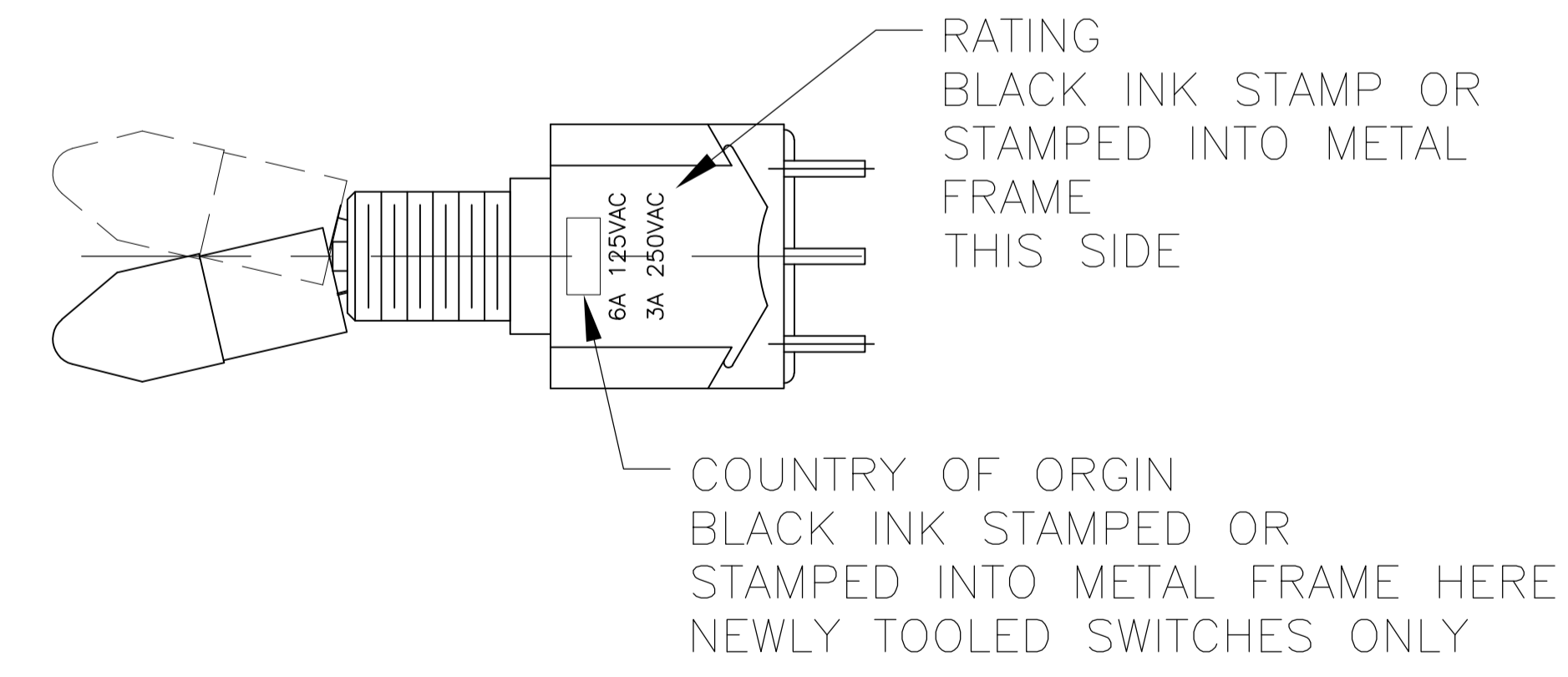
THIS DRAWING IS A CONTROLLED DOCUMENT.		DIN	M. BINNER	29DEC03	TE Connectivity
		CHK	M. ZITTO	29DEC03	
DIMENSIONS: INCHES		TOLERANCES UNLESS OTHERWISE SPECIFIED:		NAME	
0. PLC ± - 1. PLC ± - 2. PLC ± - 3. PLC ± .005 4. PLC ± - ANGLES ± -		PRODUCT SPEC APPLICATION SPEC		TOGGLE SWITCH, MTL SERIES VERTICAL MOUNT	
MATERIAL		FINISH		SIZE	RESTRICTED TO
				A1 00779	
				SCALE	SHEET
				1:1	2 OF 3
				DWG NO	REV
				3-1437559-7	D5
				CUSTOMER DRAWING	



COUNTRY OF ORIGIN STAMPED HERE EXISTING SWITCHES ONLY

WIRE LUG TERMINAL

PC TERMINAL



THIS DRAWING IS A CONTROLLED DOCUMENT.		DIN	M. BINNER	29DEC03	TE Connectivity
DIMENSIONS: INCHES		CHK	M. ZITTO	29DEC03	
TOLERANCES UNLESS OTHERWISE SPECIFIED:		APP'D	M. ZITTO	29DEC03	NAME
0. PLC	± .005	PRODUCT SPEC		TOGGLE SWITCH, MTL SERIES VERTICAL MOUNT	
1. PLC	± .005	APPLICATION SPEC		SIZE	CAGE CODE
2. PLC	± .005	MATERIAL		A1	00779
3. PLC	± .005	FINISH		3-1437559-7	
4. PLC	± .005	CUSTOMER DRAWING		SCALE	1:1
ANGLES	± .005	SHEET		3	3
		REV		D5	