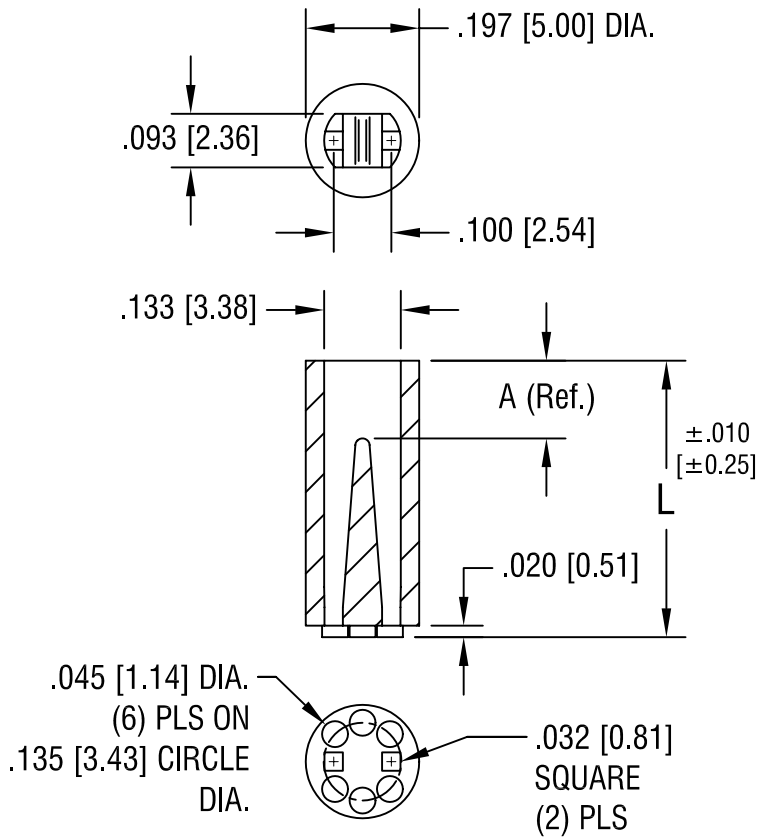


THIS DOCUMENT IS THE PROPERTY OF KEYSTONE ELECTRONICS CORP. AND SHALL NOT BE REPRODUCED, DISTRIBUTED OR USED AS A BASIS FOR MANUFACTURE WITHOUT PRIOR WRITTEN PERMISSION FROM KEYSTONE ELECTRONICS CORP.



PART NO.	'L' DIM.	'A' DIM. REF.
7351	.120 [3.05]	.045 [1.14]
7352	.140 [3.56]	.065 [1.65]
7353	.160 [4.06]	.085 [2.16]
7354	.180 [4.57]	.105 [2.67]
7355	.200 [5.08]	.125 [3.18]
7356	.220 [5.59]	.145 [3.68]
7357	.240 [6.10]	.045 [1.14]
7358	.250 [6.35]	.060 [1.52]
7359	.260 [6.60]	.065 [1.65]
7360	.280 [7.11]	.090 [2.29]
7361	.300 [7.62]	.110 [2.79]
7362	.320 [8.13]	.120 [3.05]
7363	.340 [8.64]	.140 [3.56]
7364	.350 [8.89]	.150 [3.81]
7365	.360 [9.14]	.160 [4.06]
7366	.380 [9.65]	.060 [1.52]

<b>KEYSTONE ELECTRONICS CORP.</b> ASTORIA, N.Y. 11105-2017		
PART NAME		
BI-LEAD LED SPACER, T-1		
MATERIAL		
NYLON 6/6		
FINISH		DRN BY
-		BOONE
		DATE
		10.8.96
		APPD
		LN
		SCALE
		3X
TOLERANCES		INCH [MM]
DECIMAL		$\pm .005 [\pm 0.15]$
ANGULAR		$\pm 1^\circ$
UNLESS OTHERWISE SPECIFIED		
DATE	DESCRIPTION	REV.
5.4.99	CHANGE AS PER ECN 99-044	B
2.10.99	CHANGE AS PER ECN 99-022	A
DWG NO.		
C/M		7351-7366