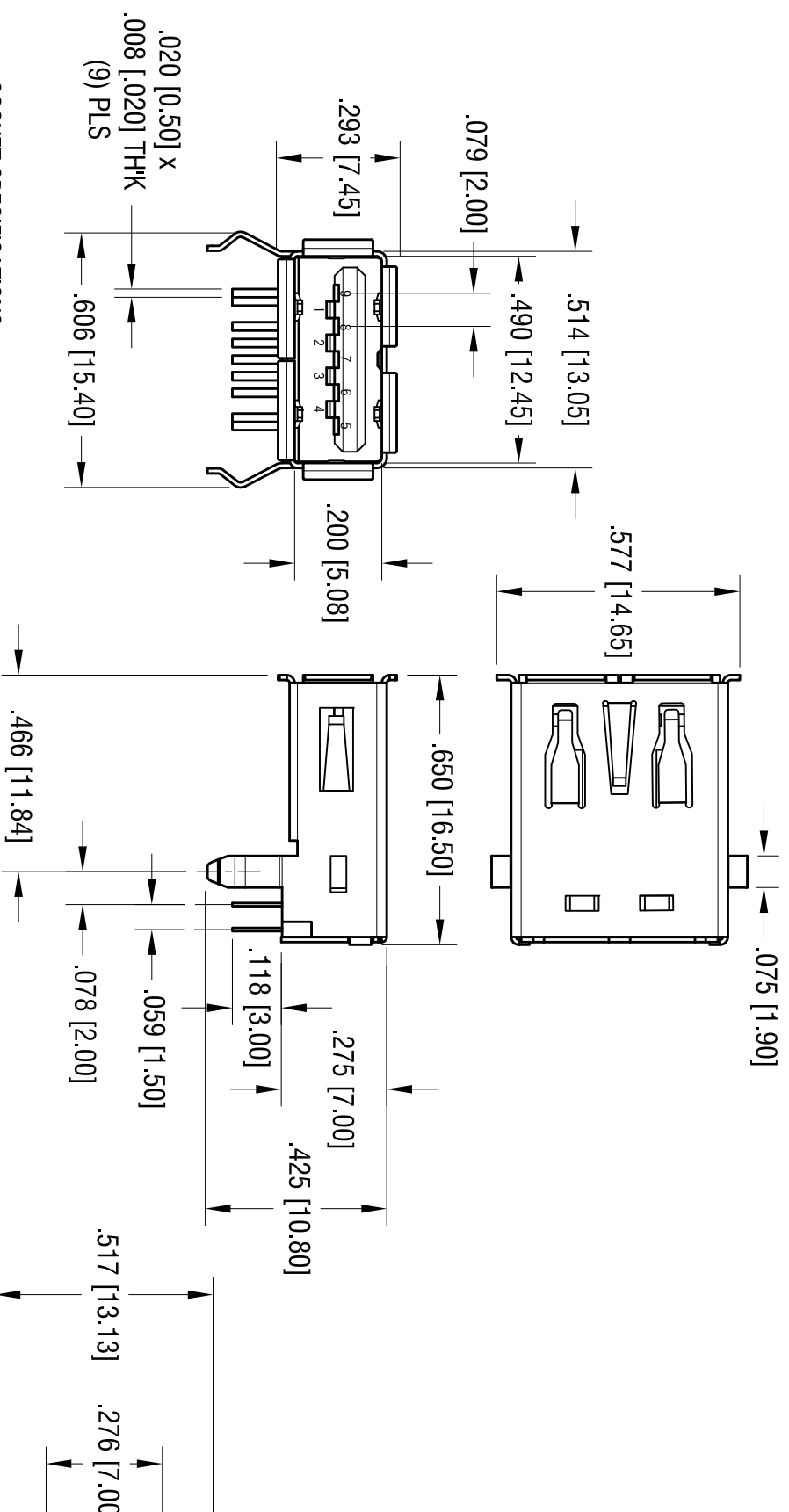
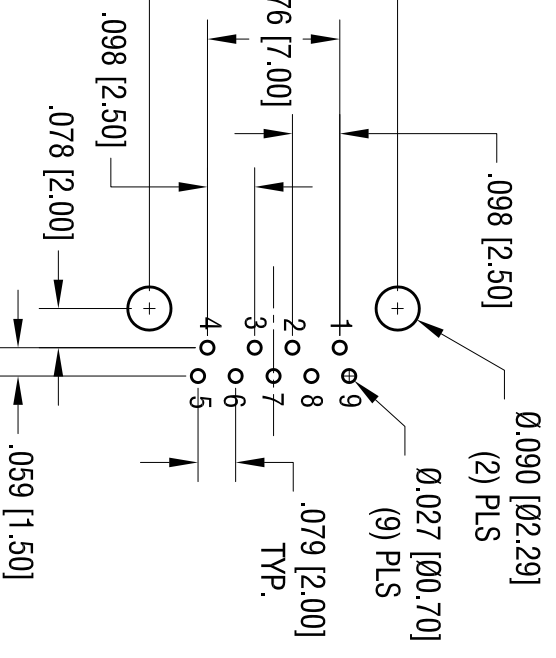


DATE	DESCRIPTION	REV.



RECEPTACLE FOOTPRINT

TOLERANCE ±.002 [±0.05]

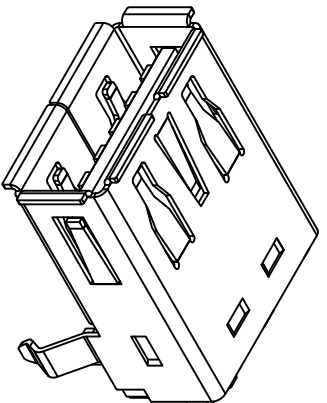


KEYSTONE ELECTRONICS CORP.

www.keystone.com • ASTORIA, N.Y. 11105-2017 • Tel (718) 956-8900

PART NAME		USB TYPE A RECEPTACLE	
MATERIAL		AS NOTED	
FINISH		AS NOTED	

- SOCKET SPECIFICATIONS:**
- SHELL: MAT'L- STEEL
 - CONTACT: MAT'L- PHOSPHOR BRONZE
 - INSULATION: MAT'L- THERMOPLASTIC, UL 94V-0
 - FINISH- GOLD FLASH OVER NICKEL ON CONTACT AREA
 - TIN OVER NICKEL ON SOLDER TAILS
- ELECTRICAL CHARACTERISTICS:**
- RATED VOLTAGE: 30V (RMS)
 - CONTACT CURRENT RATING: 1 Amp DC MAX.
 - CONTACT RESISTANCE: 15m Ω min.
 - DIELCTRIC WITHSTANDING VOLTAGE: 750V AC FOR 1 MINUTE
- MECHANICAL CHARACTERISTICS:**
- OPERATING TEMPERATURE: -13°F (-25°C) TO 176°F (+80°C)
 - DURABILITY: 1500 CYCLES MIN.



THIS DOCUMENT IS THE PROPERTY OF KEYSTONE ELECTRONICS CORP. AND SHALL NOT BE REPRODUCED, DISTRIBUTED OR USED AS A BASIS FOR MANUFACTURE WITHOUT PRIOR WRITTEN PERMISSION FROM KEYSTONE ELECTRONICS CORP.

TOLERANCES	INCH	[MM]	CODE	DWG NO.
DECIMAL	± .010	[± 0.25]	C/M	945
ANGULAR	± 1°			
FINISH		AS NOTED		
DRN BY	NT	DATE	4.06.10	
APP'D	LN	SCALE	2.5X	