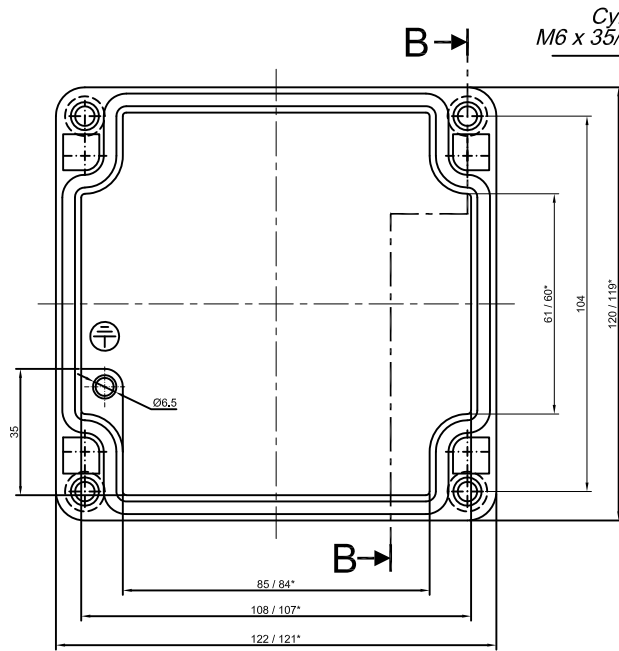
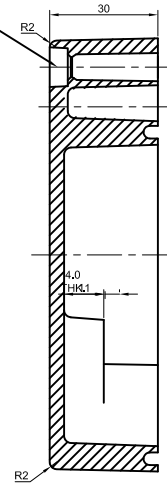


LID

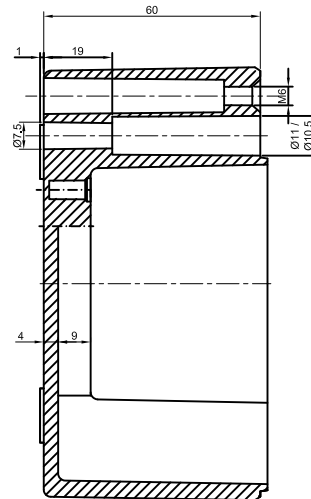
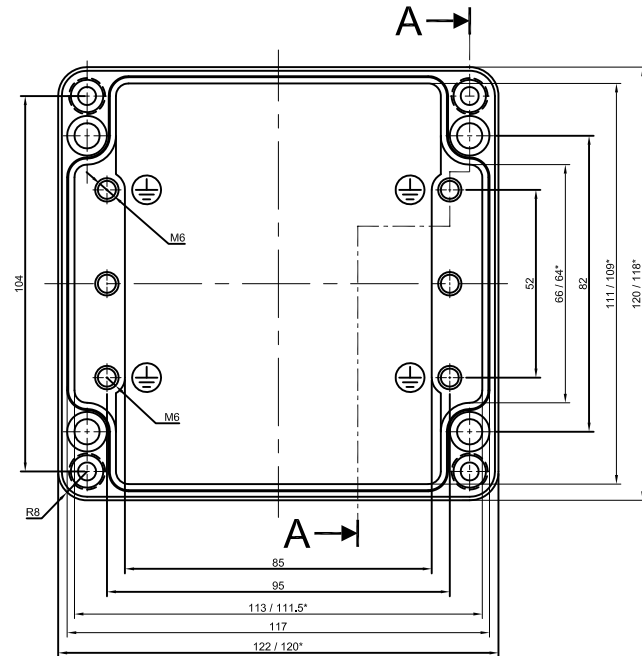


Cylinder Screw
M6 x 35/10 similar to DIN 84



SECTION -B-B

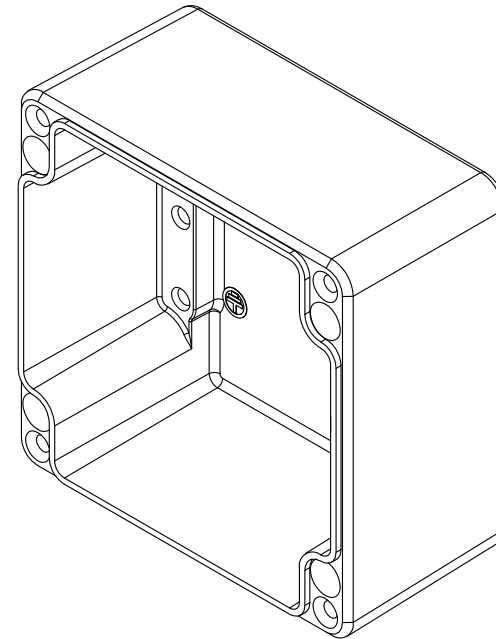
BASE



SECTION A-A

* = Conical form tapering downward.
Untoleranced dimensions per GTA 13/5 DIN 1688

ACCESSORIES		
PART NAME	QTY.	AVILABILITY
MOUNTING PLATE	1	Y
EXTERNAL HINGE	2	Y
INTERNAL HINGE	-	N
MOUNTING BRACKETS	4	Y
NEOPRENE/SILICON GASKET	1	Y
DIN RAIL TS15	-	N
DIN RAIL TS35	1	Y



PROPERTY OF RaychemRPG (P) LTD.
ALL RIGHTS RESERVED AND/OR PHOTOCOPYING THIS DOCUMENT
TO A PERSON WITHOUT RaychemRPG (P) LTD. WRITTEN AUTHORIZATION IS PROHIBITED

QUANTITY 1	MATERIAL :- Alsi 12 DIN230	MACH.NAME -	DATE 30/04/12	SIGN MANOJ	NAME DRAWN
	WEIGHT: - FINISH: NATURAL	TITLE :- JUNCTION BOX 122 x 120 x 91	30/04/12		PAVAN
					CHECKED
TOLERANCE		Raychem RPG (P) Limited Ceat Mahal Annexe, Dr. Annie Besant Road, Worli, Mumbai 400030 Web: www.raychemrpg.com	SCALE	PARTNO. 0	
±0.2	HOLES		REV 0		DRG. NO.
±0.2	ANGLES		AJB-12212091		