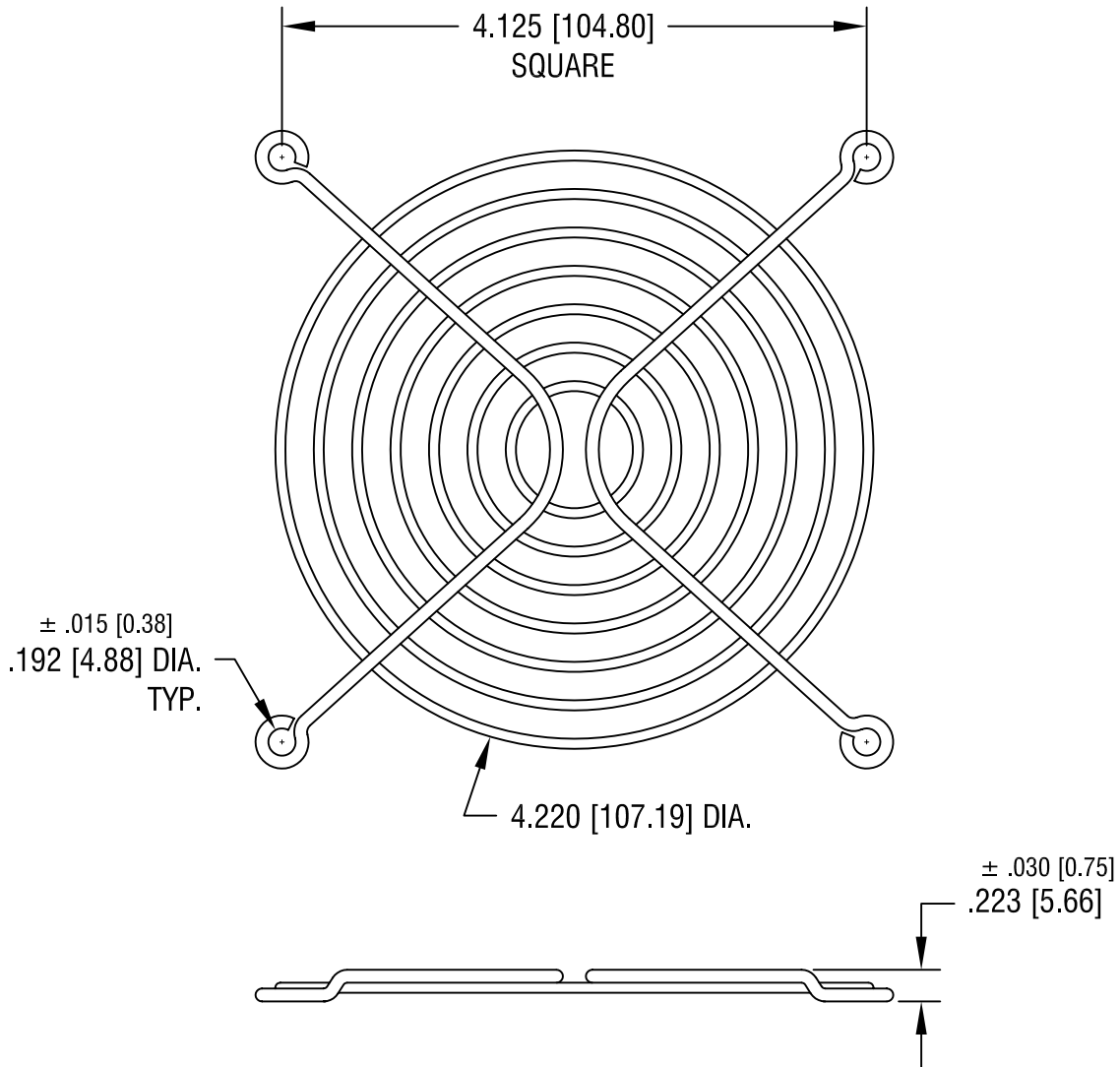


THIS DOCUMENT IS THE PROPERTY OF
KEYSTONE ELECTRONICS CORP. AND
SHALL NOT BE REPRODUCED, DISTRIBUTED
OR USED AS A BASIS FOR MANUFACTURE
WITHOUT PRIOR WRITTEN PERMISSION
FROM KEYSTONE ELECTRONICS CORP.



NOTES:

- 1. RINGS: .071 [1.80] DIA.
RIBS: .091 [2.31] DIA.
- 2. FINISH - NICKEL CHROME PLATE

| | | | |
|-----------------------------------|--|--------|-------------|
| KEYSTONE ELECTRONICS CORP. | | | |
| ASTORIA, N.Y. 11105-2017 | | | |
| PART NAME | | | |
| FAN/FINGER GUARD (120MM) | | | |
| MATERIAL | | | |
| STEEL | | | |
| FINISH | | DRN BY | DATE |
| AS NOTED | | BOONE | 3.6.06 |
| | | APP'D | SCALE |
| | | | .75X |
| TOLERANCES | | INCH | [MM] |
| DECIMAL | | ± .020 | [± 0.50] |
| ANGULAR | | ± 1° | |
| UNLESS OTHERWISE SPECIFIED | | CODE | DWG NO. |
| | | C/M | 8452 |

| | | |
|------|-------------|------|
| DATE | DESCRIPTION | REV. |
| | | |