

EMC Power Strip with Line Filter



CH version

EU version

Typ 13



SEV

CEE 7 / IV



Description

- Distribution unit with 5 outlets ,
- Line Switch with neon indicator
- Line-filter according IEC 60939

Characteristics

- Protects all connected equipment from high frequency interference
- Limits the peak voltage and increases the system reliability
- Suitable for appliances according IEC 60950

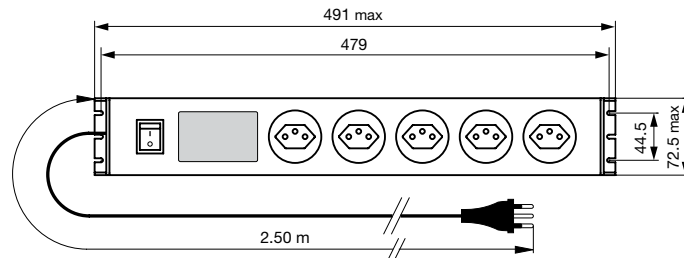
Weblinks

[pdf-datasheet](#), [html-datasheet](#), [General Product Information](#), [RoHS](#), [CHINA-RoHS](#), [REACH](#), [Distributor-Stock-Check](#), [Accessories](#), [Detailed request for product](#)

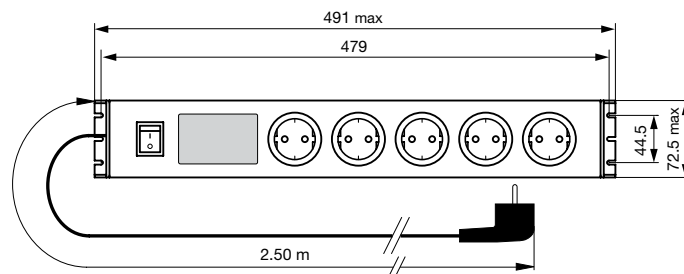
Technical Data

Rated current	10 / 16 A @ 40 °C	Line Switch	Rocker switch, illuminated, acc. to IEC 61058-1
Rated Voltage	250 VAC		Technical Details
Impulse Withstand Voltage	> 6 kV	MTBF	> 300'000h acc. to MIL-HB-217 F
Leakage Current	standard < 0.5mA (250V / 50Hz)		
Insulation cover	Suitable for appliances with protection class I acc. to IEC 61140		

Dimensions



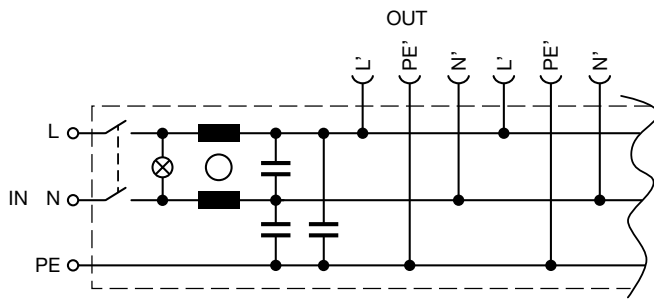
CH version



EU version

Diagrams

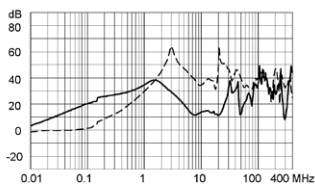
Distribution unit with 5 outlets



Attenuation loss

Standard version

--- 50Ω differential mode ____ 50Ω common mode



All Variants

Terminal	Version with	Order Number
Switzerland T13, 10A	2.5 m cable	FLBB-0212-1000
Continental Europe CEE7/VII (Schuko), 16A	2.5 m cable	FLBB-0222-1600

Availability for all products can be searched real-time: <http://www.schurter.com/Stock-Check/Stock-Check-SCHURTER>

Packaging unit 12 Pcs