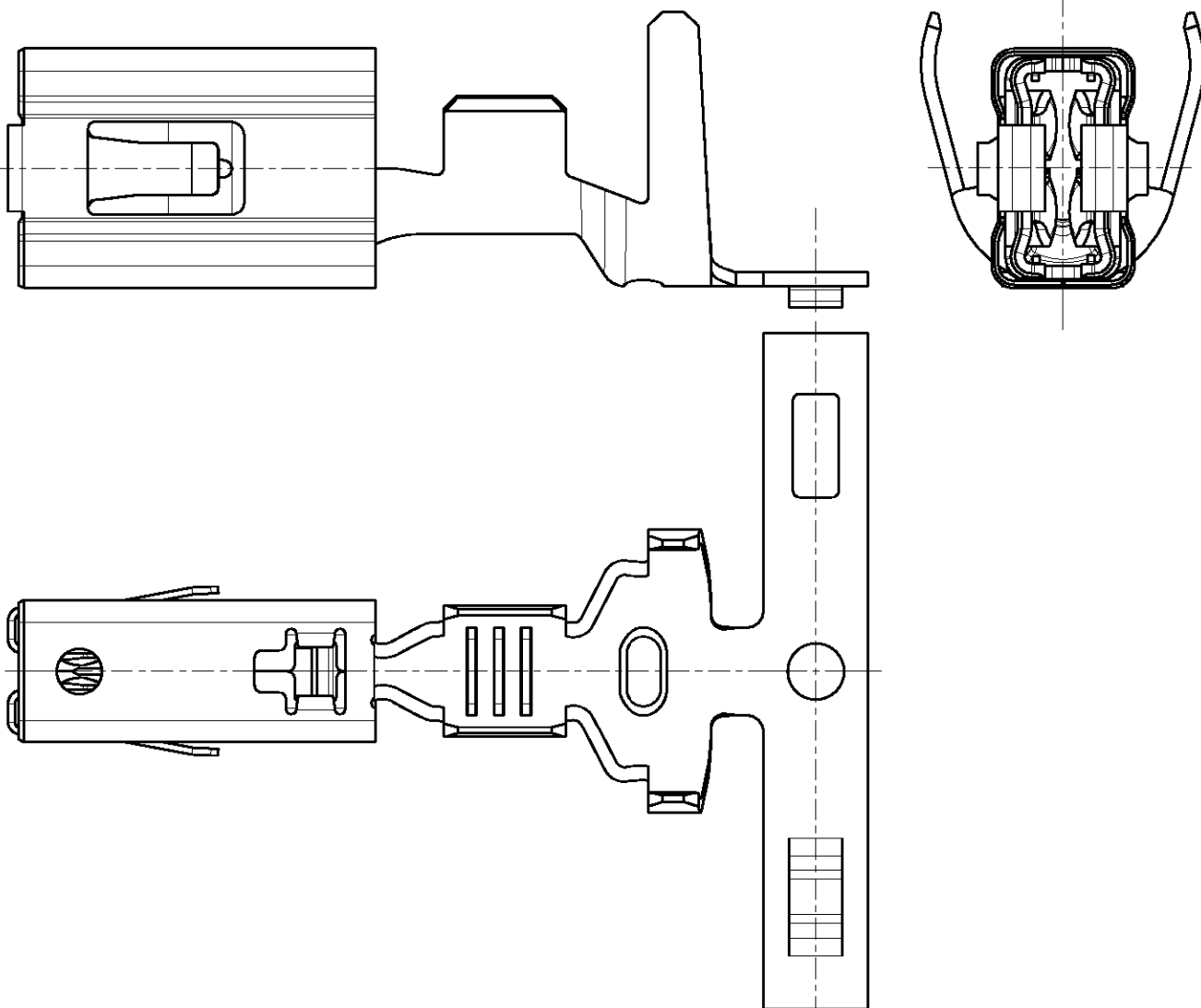


LOC	DIST	REVISIONS				
P	LTR	DESCRIPTION	DATE	DWN	APVD	
A1	-	A	NEW DRAWING	03DEC2001	R.M.	-



REFER TO PRODUCT GROUP DRAWING 1241438
FOR LATEST INFORMATION ON THE PART

Für aktuelle Information zum Teil wird auf die
Produkt - Gruppenzeichnung 1241438 hingewiesen

2001

RELEASED FOR PUBLICATION

THIS DRAWING IS UNPUBLISHED

BY TYCO ELECTRONICS CORPORATION. ALL RIGHTS RESERVED.

© COPYRIGHT 2001

DIMENSIONS: MM		DWN R. Meier	03DEC2001	MATERIAL		FINISH	
TOLERANCES UNLESS OTHERWISE SPECIFIED:		CHK R. Schäfer	03DEC2001			tyco Electronics AMP GmbH	
0 PLC ±		APVD	-			D - 64625 Bensheim	
1 PLC ±		PRODUCT SPEC	-	NAME		AMP MCP6.3/4.8K FLATCONTACT	
2 PLC ±		APPLICATION SPEC	-	AMP MCP6.3/4.8K Flachkontakt		RESTRICTED TO	
3 PLC ±		WEIGHT	-	SIZE	CAGE CODE	DRAWING NO	
4 PLC ±				A 4	00779	©=1241414	
ANGLES ±		CUSTOMER DRAWING		SCALE	5:1	SHEET	1 OF 1
						REV	A