



TEP-0500-IMX7 / TEP-0700-IMX7 Quickstart Guide

1 Safety Precautions

Thank you for purchasing a TechNexion TEP series device. This installation guide will be helpful in the installation, wiring and inspection of your TechNexion HMI. Before using the product, please read this guide to ensure correct use. You should thoroughly understand all safety precautions before proceeding with the installation, wiring and operation. Place this instruction sheet in a safe location for future reference.

1.1 Storage and Installation

- Keep the device dry. Precipitation, humidity, and all types of liquids or moisture can contain minerals that will corrode electronic circuits. If your device does get wet, allow it to dry completely.
- Do not use or store the device in dusty or dirty areas. Its parts and electronic components can be damaged.
- Do not store the device in hot areas. High temperatures can shorten the life of electronic devices, damage batteries, and warp or melt certain plastics.
- Do not store the device in cold areas. When the device returns to its normal temperature, moisture can form inside the device and damage electronic circuit boards.
- Do not attempt to open the device. This product needs to be installed by qualified personnel.
- Do not drop, knock, or shake the device. Rough handling can break internal circuit boards and fine mechanics.
- Do not paint the device. Paint can clog the parts and prevent proper operation.
- Unauthorized modifications or attachments could damage the device and may violate regulations governing radio devices.

1.2 Wiring

- Make sure that the available power source matches the required input power of the device. Failure to observe this caution may result in electric shock or fire.
- Do not power the unit by DC input when you apply power over the PoE (RJ45).

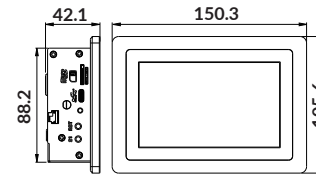
1.3 Maintenance and Inspection

- Do not touch any internal or exposed parts of the device as electrical shock may result.
- Do not open the device while power is on. Otherwise electrical shock may result.
- Do not use harsh chemicals, cleaning solvents, or strong detergents to clean the device.
- Be sure the ventilation holes are not obstructed during operation. Otherwise malfunction may result due to bad ventilation or overheating.

These suggestions apply equally to your device, battery, charger, or any enhancement. If any device is not working properly, take it to the nearest authorized service facility for service.

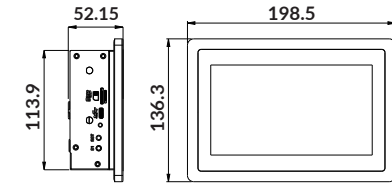
2 Dimensions

TEP-0500-IMX7



Unit : mm

TEP-0700-IMX7

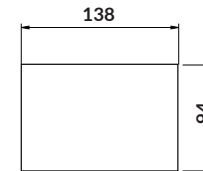


3 Installation Instructions

This section describes the mounting procedures for TEP series device. The material in the mounting area must provide sufficient strength for support of this HMI.

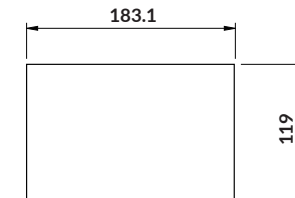
3.1 Cut-out Dimensions

TEP-0500-IMX7



Unit : mm

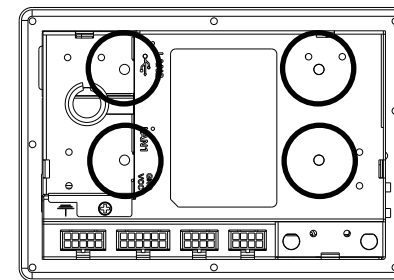
TEP-0700-IMX7



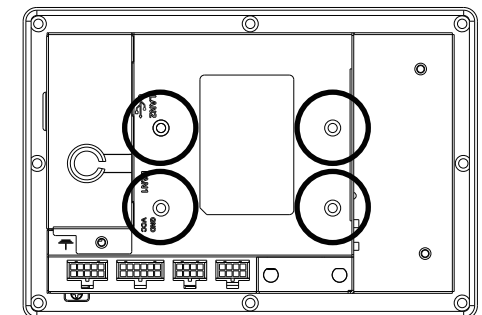
3.2 VESA Mounting

This device is compatible with VESA MIS-C Standard 35*75mm. There are 4 VESA MIS-C (M4) mounting holes on the rear side of the device. M4 screws with at least 4mm head-to-tip length are required to secure this device.

TEP-0500-IMX7



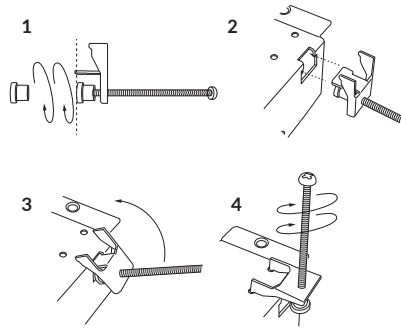
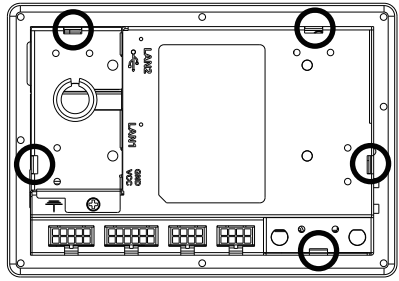
TEP-0700-IMX7



3.3 Rear Mounting and Mounting Clips Installation (TEP-0500-IMX7 only)

There are 5 mounting clips required for rear mounting.

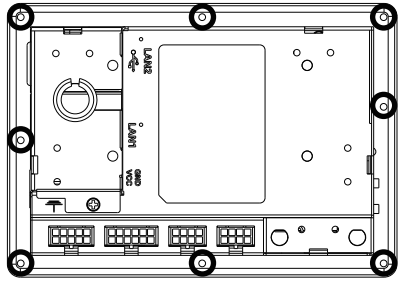
TEP-0500-IMX7



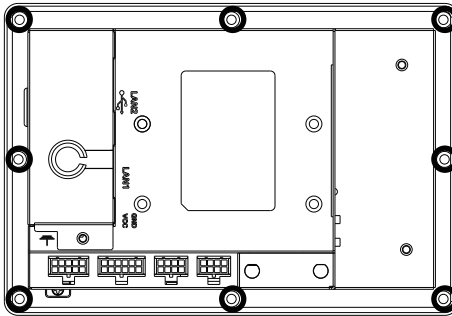
3.4 Surface Mounting Installation

There are 8 mounting holes (M4) on the rear side of the device required for surface mounting. M4 screws with at least 5mm head-to-tip length are required to secure this device.

TEP-0500-IMX7

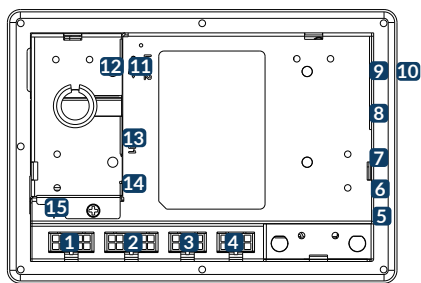


TEP-0700-IMX7

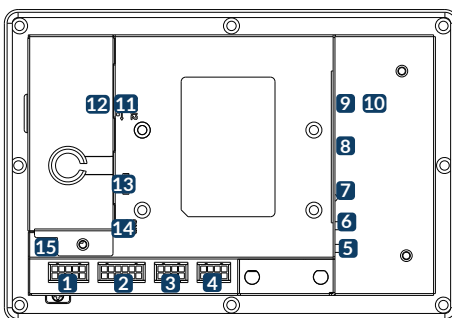


4 External Connectors

TEP-0500-IMX7



TEP-0700-IMX7



No.	Description	No.	Description
1	RS-XXX (Serial Port)	9	MicroSD cardslot
2	CAN Bus connector	10	Nano-SIM cardslot
3	GPIO1 connector	11	LAN2 RJ45
4	GPIO2 connector	12	USB 2.0 Host connector
5	S1 Boot Select button	13	LAN1 RJ45 and PoE (optional)
6	Reset button	14	Power Input connector
7	LED Light	15	Grounding Screw
8	USB Type-C connector		

5 Pin Definition

5.1 Serial Port Connector (RS-XXX)

Port	Pin #	Signal	Device
	1	GND	
	2	SERIAL1A_TXD	ttymxc1
	3	SERIAL1A_RXD	ttymxc1
	4	NC	
	5	NC	
	6	SERIAL1B_TXD	ttymxc2
	7	SERIAL1B_RXD	ttymxc2
	8	NC	
	9	NC	

Header: Molex 43045-1012 (10-pin Micro-Fit 3.0).

Cable receptacle: Molex 43025-1000 (10-pin Micro-Fit 3.0) plug with crimp contact Molex 43030-0007.

5.2 CAN Bus Connector (CANBus)

Port	Pin #	Signal	Interface
	1	GND_CAN	
	2	CAN1A_TERM_P	can0
	3	CAN1A_P	can0
	4	CAN1A_N	can0
	5	CAN1A_TERM_N	can0
	6	NC	
	7	GND_CAN	
	8	CAN1B_TERM_P	can1
	9	CAN1B_P	can1
	10	CAN1B_N	can1
	11	CAN1B_TERM_N	can1
	12	NC	

Header: Molex 43045-1212 (12-pin Micro-Fit 3.0).

Cable receptacle: Molex 43025-1200 (12-pin Micro-Fit 3.0) plug with crimp contact Molex 43030-0007.

5.3 Digital I/O Connectors (GPIO1/GPIO2)

Port	Pin #	GPIO1 Signal	GPIO1 Description	GPIO2 Signal	GPIO2 Description	Voltage
	1	GPIO1A	DIG_IN1/OUT1	GPIO2A	ADC1_IN0	3.3V
	2	GPIO1B	DIG_IN2/OUT2	GPIO2B	PWM_OUT or DIG_IN2/OUT2	3.3V
	3	GND_DIO	Ground for digital I/O	GND_DIO	Ground for digital I/O	
	4	NC		NC		
	5	GPIO1C	DIG_IN5/OUT5	GPIO2C	PWM_OUT or DIG_IN5/OUT5	3.3V
	6	GPIO1D	DIG_IN5/OUT6	GPIO2D	PWM_OUT or DIG_IN6/OUT6	3.3V
	7	VCC_DIO	Supply output	VCC_DIO	Supply output	3.3V
	8	NC		NC		

Header: Molex 43045-0812 (8-pin Micro-Fit 3.0).

Cable receptacle: Molex 43025-0800 (8-pin Micro-Fit 3.0) plug with crimp contact Molex 43030-0007.

6 Software Installation

The unit is preloaded with software that can download and install a selection of OS images over hardwired network. Simply connect a network to the unit through the Ethernet LAN RJ45 connector and power it up, then follow the steps on the screen to load the software. Local proxies will interfere with this process. For more information, go to our Knowledge Base at: <https://www.technexion.com/support/knowledge-base/>

- All Rights Reserved. No part of this document may be photocopied, reproduced, stored in a retrieval system, or transmitted, in any form or by any means whether, electronic, mechanical, or otherwise without the prior written permission of TechNexion Ltd.
- No warranty of accuracy is given concerning the contents of the information contained in this publication. To the extent permitted by law no liability (including liability to any person by reason of negligence) will be accepted by TechNexion Ltd., its subsidiaries or employees for any direct or indirect loss or damage caused by omissions from or inaccuracies in this document.
- TechNexion Ltd. reserves the right to change details in this publication without notice. Please download the most updated version at: <https://www.technexion.com/support/download-center/>