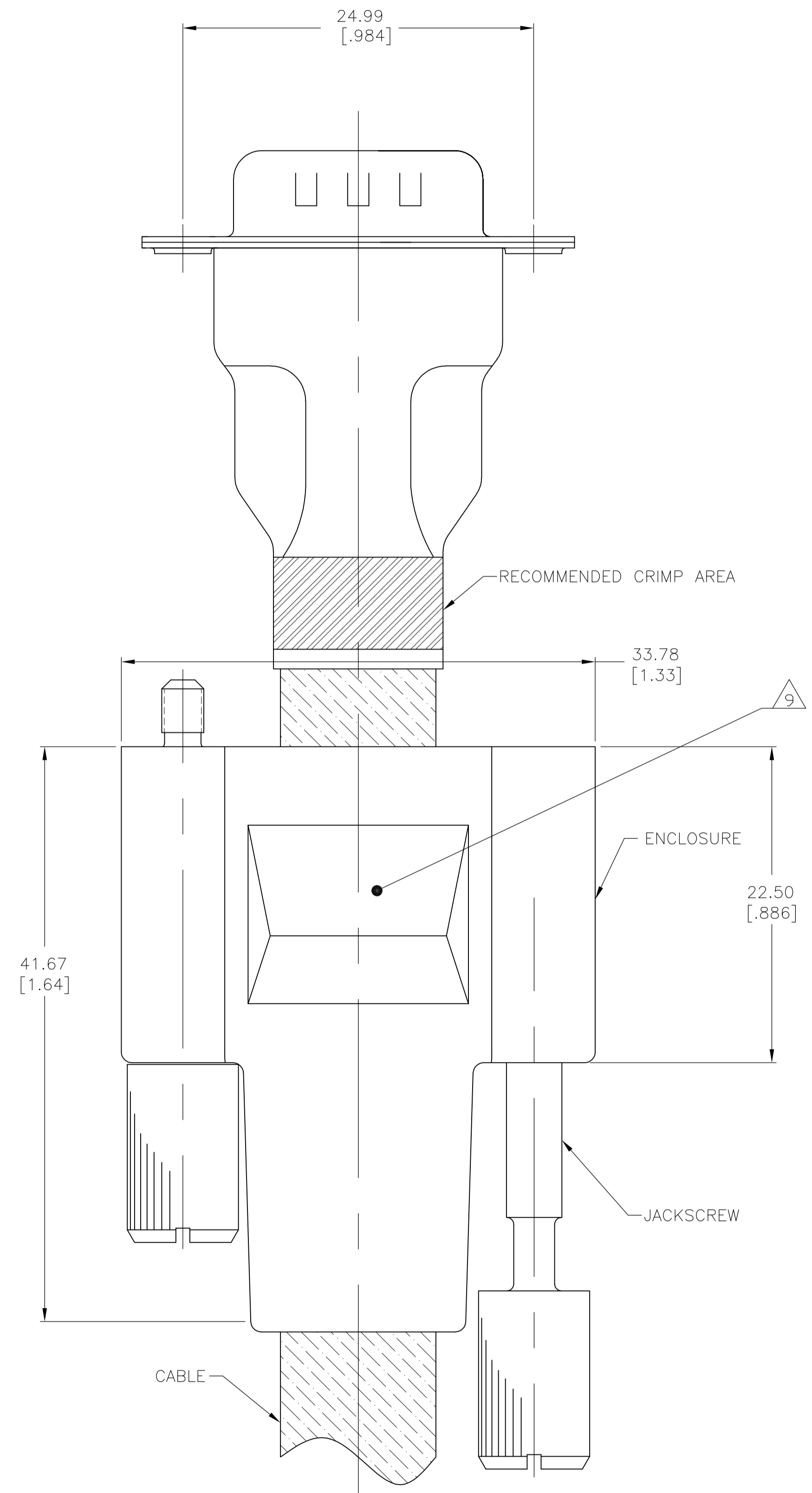


LOC		DIST		REVISIONS			
F	LTR	DESCRIPTION	DATE	DN	APVD		
F		REVISED PER ECO-12-003967	13APR2012	CJV	CWR		



EXPLODED VIEW OF ASSEMBLED KIT

- 1 MATERIAL
INSERT: PBT, BLACK, UL94V-0 RATED
CONTACT & JACKSCREWS: BRASS
SHELLS & SHIELD: STEEL
ENCLOSURE: PVC, BLACK
- 2 FINISH
CONTACT: GOLD PLATING 0.02um[.000008] MIN ON CONTACT AREA/2.3um[.000090] MIN TIN-LEAD PLATING ON SOLDER AREA. ALL OVER 1.27um[.000050] MIN NICKEL.
SHELL: 2.4um[.000095] MIN TIN
SHIELD: 2.0-3.0um[.000080-.000120] TIN
- 3. SPECIFICATION
ELECTRICAL CHARACTERISTICS:
CURRENT RATING: 3 AMPERES
DIELECTRIC WITHSTANDING VOLTAGE: AC 1000V R.M.S.
INSULATION RESISTANCE: 5000 MEGOHMS MINIMUM AT DC 500V
CONTACT RESISTANCE: 10 MILLIOHMS MAXIMUM.
- 4. PLUG CONNECTOR FULLY LOADED WITH CONTACTS.
ALL OTHER PARTS ARE SHIPPED UNASSEMBLED, EACH PART INDIVIDUALLY BULK PACKED.
- 5. SOLDER CUP WILL ACCOMMODATE 20 MAX AWG WIRE.
- 6 FINISH
CONTACT: GOLD PLATING 0.02um[.000008] MIN ON CONTACT AREA/2.3um[.000090] MIN HOT DIPPED TIN-COPPER PLATING ON SOLDER AREA. ALL OVER 1.27um[.000050] MIN NICKEL.
SHELL: 2.4um[.000095] MIN BRIGHT TIN.
SHIELD: 2.0-3.0um[.000080-.000120] TIN.
- 8 ROHS 2002/95/EC COMPLIANT PART (SEE SHEET 2).
- 9 COMPANY LOGO IN APPROXIMATE AREA SHOWN.
- 10. ASSEMBLE PER 408-10443

8	6	10.8 [.425]	1571650-6
8	6	9.5 [.374]	1571650-5
8	6	7.2 [.283]	1571650-4
SUPERSEDED BY 1571650-6	2	10.8 [.425]	1571650-3
SUPERSEDED BY 1571650-5	2	9.5 [.374]	1571650-2
SUPERSEDED BY 1571650-4	2	7.2 [.283]	1571650-1
	FINISH	CABLE DIA L	PART NUMBER

THIS DRAWING IS A CONTROLLED DOCUMENT. DIMENSIONING AND TOLERANCING PER ASME Y14.5M-2009.

DIN M. BINNER 21NOV03

APVD: [Signature]

NAME: [Signature]

PRODUCT SPEC: 108-40031

APPLICATION SPEC: [Signature]

SIZE: A1

WEIGHT: [Signature]

CUSTOMER DRAWING

SCALE: 4:1

SHEET: 1 OF 1

REV: F

RESTRICTED TO: [Signature]

TE Connectivity

BULK KIT, PLUG, AMPLIMITE SOLDER CUP SHIELDING ENCLOSURE 9 POSITION, SIZE 1

00779-1571650