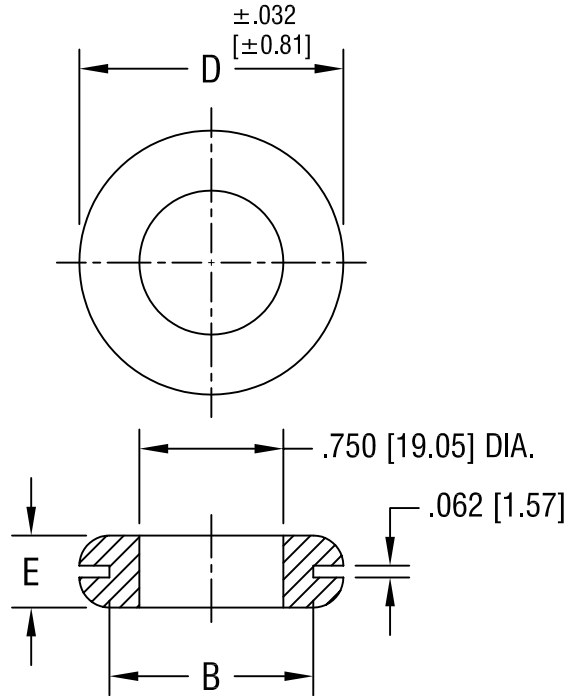


THIS DOCUMENT IS THE PROPERTY OF
KEYSTONE ELECTRONICS CORP. AND
SHALL NOT BE REPRODUCED, DISTRIBUTED
OR USED AS A BASIS FOR MANUFACTURE
WITHOUT PRIOR WRITTEN PERMISSION
FROM KEYSTONE ELECTRONICS CORP.



PART NO.	'B' DIA.	'D' DIA.	'E' DIM.
755	1.062 [26.97]	1.375 [34.93]	.375 [9.53]
756	1.437 [36.50]	1.812 [46.02]	.375 [9.53]

KEYSTONE ELECTRONICS CORP.			
ASTORIA, N.Y. 11105-2017			
PART NAME			
RUBBER GROMMET			
MATERIAL			
BUNA S			
FINISH		DRN BY	DATE
-		BOONE	9.16.96
		APPD	SCALE
			1X
TOLERANCES		INCH	[MM]
DECIMAL		$\pm .020$	[± 0.50]
ANGULAR		$\pm 1^\circ$	
UNLESS OTHERWISE SPECIFIED		CODE	DWG NO.
		C/M	755-756

DATE	DESCRIPTION	REV.