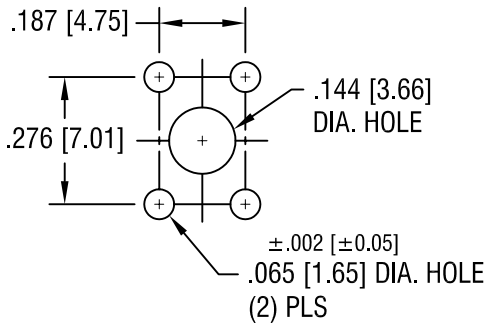
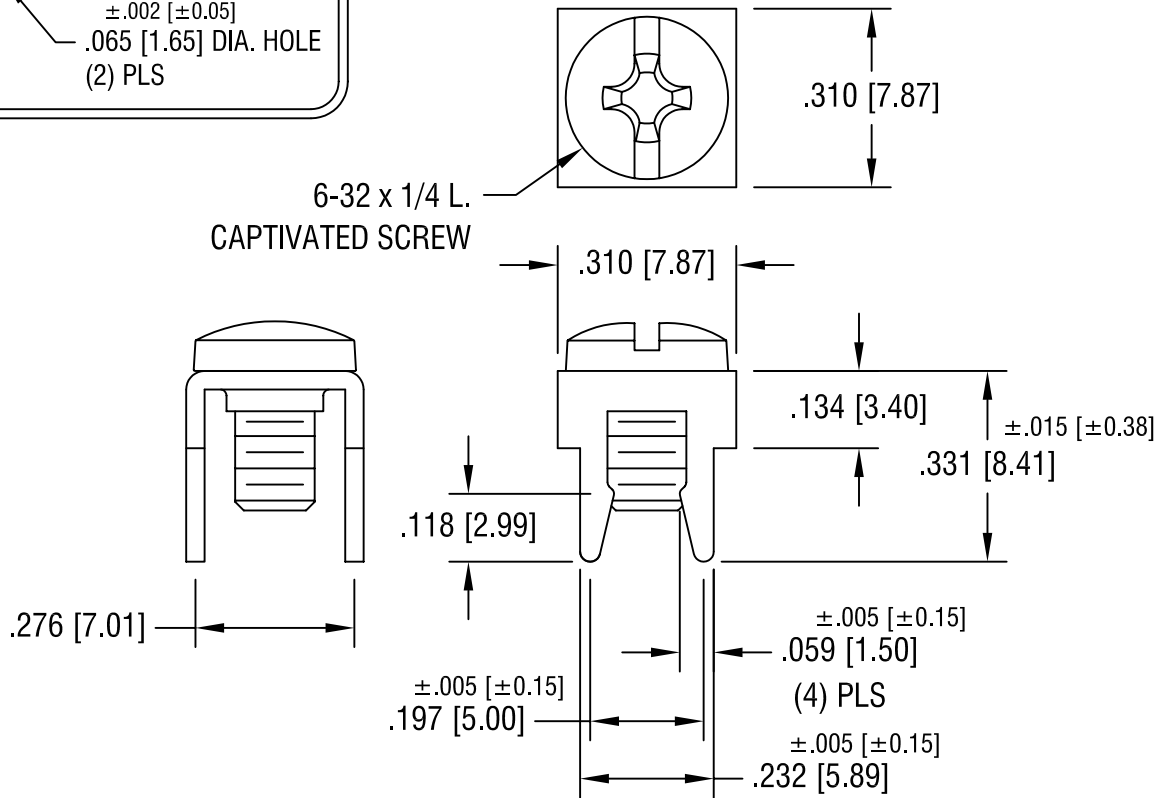


THIS DOCUMENT IS THE PROPERTY OF
KEYSTONE ELECTRONICS CORP. AND
SHALL NOT BE REPRODUCED, DISTRIBUTED
OR USED AS A BASIS FOR MANUFACTURE
WITHOUT PRIOR WRITTEN PERMISSION
FROM KEYSTONE ELECTRONICS CORP.

MOUNTING DETAIL



6-32 x 1/4 L.
CAPTIVATED SCREW



LOW-PROFILE PC SCREW TERMINAL W/ COLORED SCREW HEAD

NOTES:

1. TERMINAL:

MAT'L - .032 [0.81] TH'K BRASS, TIN PLATE

SCREW:

MAT'L - BRASS, NICKEL PLATE

PART NO.	HEAD COLOR	PART NO.	HEAD COLOR
7775-2	RED	7775-5	BLUE
7775-3	BLACK	7775-6	GREEN
7775-4	WHITE	7775-7	YELLOW

KEYSTONE ELECTRONICS CORP.

ASTORIA, N.Y. 11105-2017

PART NAME

LOW-PROFILE TERM. W/ COLORED SCREW HEAD

MATERIAL

AS NOTED

FINISH

AS NOTED

DRN BY

BOONE

DATE

10.1.03

APP'D

LN

SCALE

3X

1.7.08 CHANGE AS PER ECN 08-037

A

TOLERANCES

INCH [MM]

DECIMAL ±.010 [±0.25]

CODE

ANGULAR ± 1°
UNLESS OTHERWISE SPECIFIED

DWG NO.

7775-2 - 7775-7

DATE

DESCRIPTION

REV.