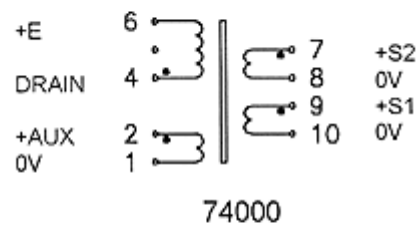
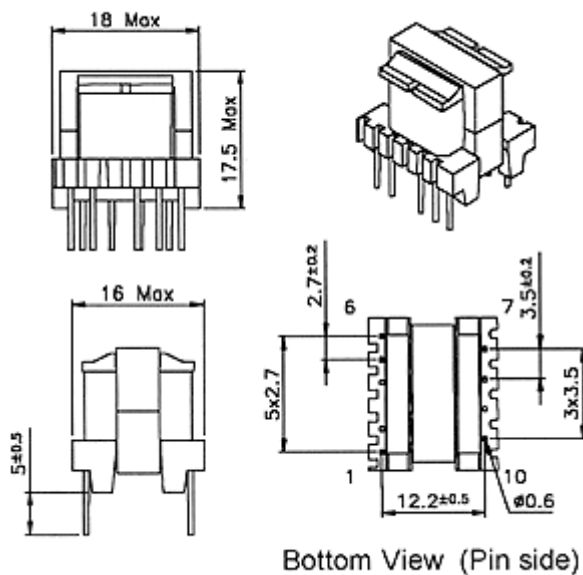




Control IC Manufacturer	Control IC P/N	Input voltage	Power	Frequency
Fairchild	KA5H0165RN	185 - 265 Vrms	10 w	100 kHz
Fairchild	KA5L0165R	85 - 265 Vrms	7 w	50 kHz
Infineon	TDA16831	92 - 265 Vrms	7,5 w	100 kHz
Infineon	TDA16831	185 - 265 Vrms	10 w	100 kHz
Motorola	MC33369	85 - 265 Vrms	8 w	100 kHz
Motorola	MC33369	185 - 265 Vrms	10 w	100 kHz
Power Integrations	TNY267	185 - 265 Vrms	12 w	132 kHz
Power Integrations	TOP242P	85 - 265 Vrms	10 w	132 kHz
Power Integrations	TOP242P	185 - 265 Vrms	12 w	132 kHz
Power Integrations	TOP242P	85 - 265 Vrms	10 w	132 kHz
Power Integrations	TOP242P	185 - 265 Vrms	12 w	132 kHz
ST Microelectronics	VIPer20	85 - 265 Vrms	8 w	70 kHz
ST Microelectronics	VIPer20	185 - 265 Vrms	10 w	70 kHz

SIZE E16 - 2 OUTPUTS : 5 & 12V - FLYBACK TRANSFORMER							
MYRRA Part N°	Output Power max	Windings					
			Pins	Turns	Voltage	Current max	Inductance (+/-10%)
74010	12w	Pri	4 - 6	120	60 - 125 (VOR)	0.55 Apeak	
		Aux	2 - 1	14	7 - 14 Vdc	0.1 Adc	
		S1	9 - 10	7	3.3 - 7 Vdc	2 Adc	
		S2	7 - 8	17	8 - 17 Vdc	1 Adc	

- Primary / Secondary Insulation \geq 4000V
- Primary Auxiliary Insulation \geq 1500V
- Creepage distances Primary / secondary \geq 6mm
- Ambient temperature $<$ 50°C
- Construction conforms to CEI950, CEI335, CEI61558 for reinforced insulation
- Exclusively uses UL94-VO listed materials



PIN 3 Removed
PCB Drilling Diameter = 1.1mm