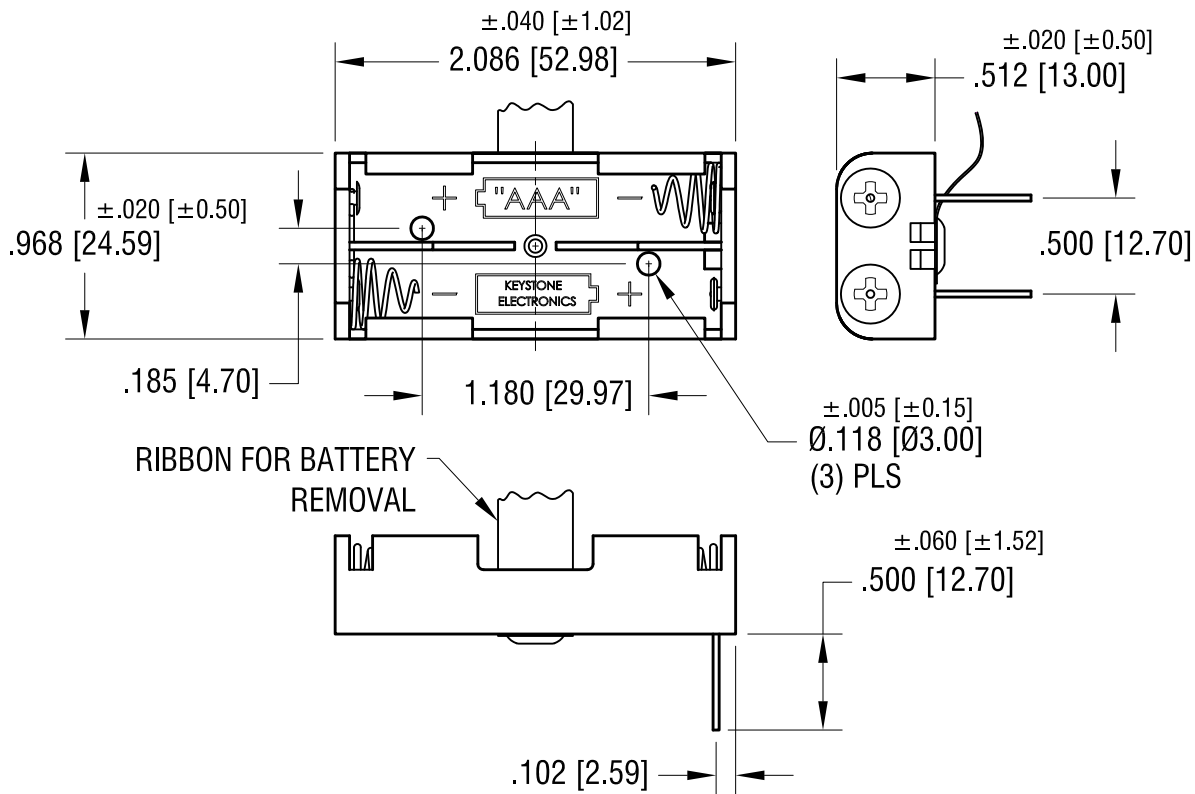
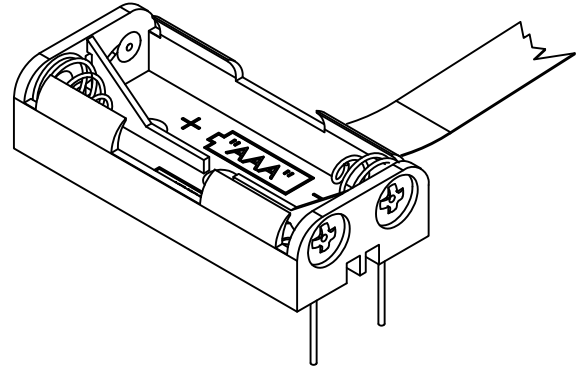
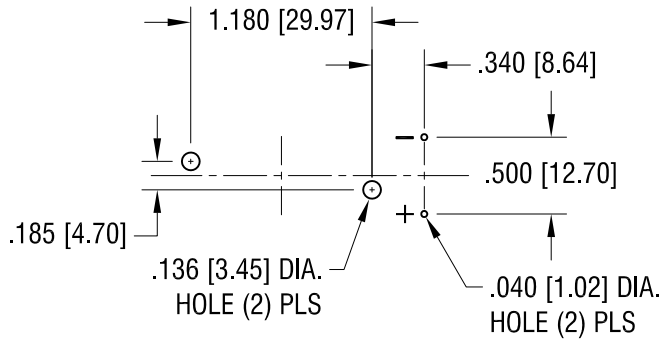


THIS DOCUMENT IS THE PROPERTY OF KEYSTONE ELECTRONICS CORP. AND SHALL NOT BE REPRODUCED, DISTRIBUTED OR USED AS A BASIS FOR MANUFACTURE WITHOUT PRIOR WRITTEN PERMISSION FROM KEYSTONE ELECTRONICS CORP.

MOUNTING DETAIL



NOTE:

- 1. HOLDER: MAT'L: POLYPROPYLENE
- SPRING: MAT'L: MUSIC WIRE, .024 [0.60] DIA.
- PC TERMINALS: MAT'L: BRASS, .032 [0.81] DIA.
- RIBBON: MAT'L: NYLON, RED

DATE	DESCRIPTION	REV.
3.28.12	CHANGE AS PER ECN 12-038	B
8.24.05	CHANGE AS PER ECN 05-061	A

KEYSTONE ELECTRONICS CORP.			
www.keyelco.com • ASTORIA, N.Y. 11105-2017 • Tel (718) 956-8900			
PART NAME			
PC BATTERY HOLDER (2) 'AAA' W/ RIBBON			
MATERIAL			
AS NOTED			
FINISH		DRN BY	DATE
NICKEL PLATE		BOONE	12.1.03
		APP'D	SCALE
		LN	1X
TOLERANCES	INCH [MM]	CODE	DWG NO.
DECIMAL	± .015 [± 0.38]	C/M	2468RB
ANGULAR	± 1°		
UNLESS OTHERWISE SPECIFIED			