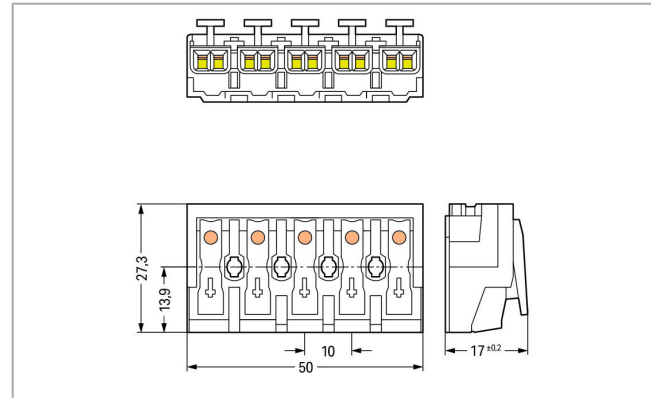
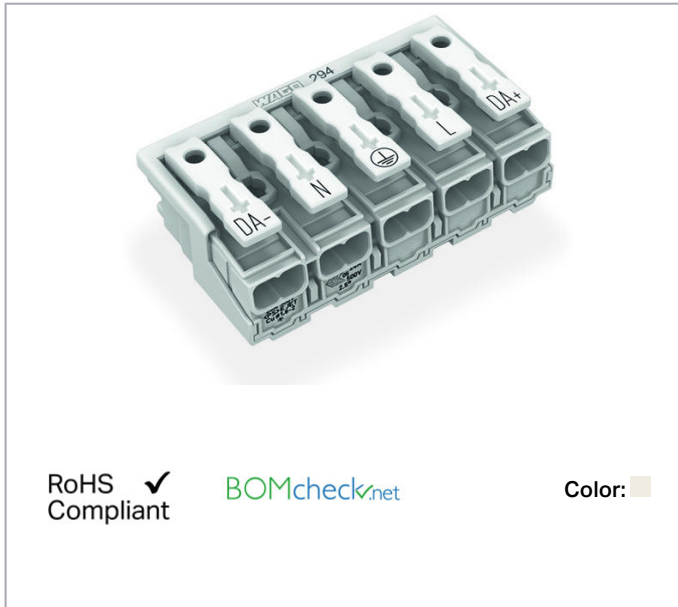


Data sheet | Item number: 294-4095/5025-000

Lighting connector; push-button, external; without ground contact; 5-pole;
Lighting side: for solid conductors; Inst. side: for all conductor types; max.
2.5 mm²; Surrounding air temperature: max 85°C (T85); 2,50 mm²; white

www.wago.com/294-4095/5025-000



Item description

- External connection of solid, stranded and fine-stranded conductors
- Universal conductor termination (AWG, metric)
- Third contact at bottom
- Strain relief plate can be retrofitted

Data

Electrical data

Ratings per IEC/EN

| | |
|----------------------------|-------------------|
| Ratings per | IEC/EN 60998-1 |
| Ratings (note) | Connection points |
| Nominal voltage (II/2) | 500 V |
| Rated surge voltage (II/2) | 4 kV |
| Rated current | 24 A |
| Ratings per | IEC/EN 60998-2-2 |
| Ratings (note) 2 | Connection points |

Subject to changes. Please also observe the further product documentation!

WAGO Kontakttechnik GmbH & Co. KG
Hansastr. 27
32423 Minden
Phone: +49571 887-0 | Fax: +49571 887-169
Email: info.de@wago.com | Web: www.wago.com

Do you have any questions about our products?
We are always happy to take your call at +49 (571) 887-44222.



| | |
|------------------------------|--|
| Rated voltage (II/2) 2 | 500 V |
| Rated surge voltage (II/2) 2 | 4 kV |
| Rated current 2 | 24 A |
| Rated current 3 | 16 A |
| Legend (ratings) | (II / 2) \triangleq Overvoltage category II / Pollution degree 2 |

Connection data

| | |
|--|---|
| Connection type (1) | External 1 |
| Connection technology | Push-in CAGE CLAMP [®] |
| Number of connection points (connection type) | 2 |
| Actuation type | Operating tool Push-button |
| Connectable conductor materials | Copper |
| Solid conductor | 0.5 ... 2.5 mm ² / 18 ... 12 AWG |
| Solid conductor; push-in termination | 0.5 ... 2.5 mm ² / 18 ... 12 AWG |
| Stranded conductor | 0.5 ... 2.5 mm ² / 18 ... 14 AWG |
| Fine-stranded conductor | 0.5 ... 2.5 mm ² / 18 ... 14 AWG |
| Fine-stranded conductor; with insulated ferrule | 0.5 ... 1.5 mm ² / 18 ... 16 AWG |
| Fine-stranded conductor; with uninsulated ferrule | 0.5 ... 1.5 mm ² / 18 ... 16 AWG |
| Fine-stranded conductor; with ferrule; push-in termination | 0.5 mm ² / 18 AWG |
| Strip length | 8 ... 9 mm / 0.31 ... 0.35 inch |
| Pole No. | 5 |
| Connection type 2 | Internal 2 |
| Connection technology 2 | PUSH WIRE [®] |
| Number of connection points | 1 |
| Solid conductor 2 | 0.5 ... 2.5 mm ² / 18 ... 14 AWG |
| Fine-stranded conductor; with insulated ferrule 2 | 0.5 ... 1 mm ² / 18 ... 16 AWG |
| Fine-stranded conductor; with uninsulated ferrule 2 | 0.5 ... 1.5 mm ² / 18 ... 14 AWG |
| Strip length 2 | 8 ... 9 mm / 0.31 ... 0.35 inch |
| Connection type (3) | Internal 3 |
| Number of connection points | 1 |
| Solid conductor 3 | 0.5 ... 1.5 mm ² / 18 ... 16 AWG |
| Fine-stranded conductor; with insulated ferrule 3 | 0.5 ... 0.75 mm ² / 18 AWG 0.5 ... 0.75 mm ² / 18 AWG |
| Fine-stranded conductor; with uninsulated ferrule 3 | 0.5 ... 1 mm ² / 18 AWG |
| Connection type (4) | Internal 4 |
| Number of connection points | 1 |
| Solid conductor 4 | 0.5 ... 0.75 mm ² / 18 AWG |

Subject to changes. Please also observe the further product documentation!

| | |
|-----------------------------------|-------------------|
| Total number of connection points | 25 |
| Total number of potentials | 5 |
| Number of connection types | 4 |
| Wiring type | Side-entry wiring |

Physical data

| | |
|-------------------------|--------------------|
| Pin spacing | 10 mm / 0.394 inch |
| Height from the surface | 17 mm / 0.669 inch |

Material data

| | |
|-----------------------------|--|
| Color | white |
| Material group | IIIa |
| Insulation material | Polycarbonate (PC) |
| Flammability class per UL94 | V0 |
| Clamping spring material | Chrome nickel spring steel (CrNi) |
| Contact material | Electrolytic copper (E _{Cu}) |
| Contact plating | tin-plated |
| Weight | 15.2 g |

Environmental requirements


| | |
|-----------------------|--------|
| Temperature stability | 120 °C |
| T marking | T85 |

Commercial data

| | |
|-----------------------|---------------|
| Packaging type | lamination |
| Country of origin | CH |
| GTIN | 4055143279284 |
| Customs tariff number | 85369010000 |

Approvals / Certificates






Country specific Approvals

| Logo | Approval | Additional Approval Text | Certificate name |
|--|-------------------------------------|--------------------------|------------------|
|  | ENEC 05 DEKRA Certification B.V. | EN 60998 | 2128791.01 |

Subject to changes. Please also observe the further product documentation!

Compatible products

tools

| | | |
|--|--|--|
|  | Item no.: 206-294 Disconnection tool; green | www.wago.com/206-294 |
| Strain relief plate | | |
|  | Item no.: 294-364 Strain relief plate; for 294 Series; for multicore cables; 3- to 5-pole; with secured clamp; white | www.wago.com/294-364 |
|  | Item no.: 294-370 Strain relief; for 294 Series; with snap-in mounting feet; white | www.wago.com/294-370 |
|  | Item no.: 294-375 Strain relief; for 294 Series; without snap-in mounting feet; white | www.wago.com/294-375 |
|  | Item no.: 294-384 Strain relief plate; for 294 Series; for single strands; 3- to 5-pole; with secured clamp; white | www.wago.com/294-384 |

Downloads

Documentation

Bid Text

| | | | |
|----------------------------------|-------------|----------------|----------|
| 294-4095/5025-000 doc - Datei | 4. 1. 2018 | doc 30.7 kB | Download |
| 294-4095/5025-000 X81 - Datei | 19. 2. 2019 | xml 6.0 kB | Download |

Additional Information

| | | | |
|------------------------|------------|---------------|----------|
| Technical explanations | 3. 4. 2019 | pdf 2.2 MB | Download |
|------------------------|------------|---------------|----------|

Environmental Product Compliance

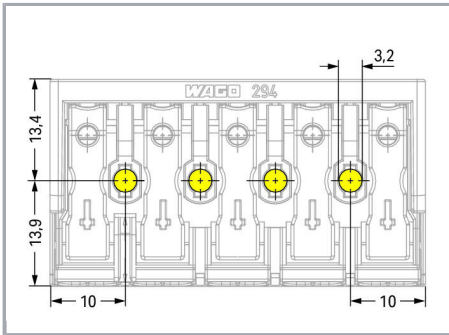
Compliance Search

| | | |
|---|-----|----------|
| Environmental Product Compliance 294-4095/5025-000 Lighting connector; push-button, external; without ground contact; 5-pole; Lighting side: for solid conductors; Inst. side: for all conductor types; max. 2.5 mm ² ; Surrounding air temperature: max 85°C (T85); 2,50 mm ² ; white | URL | Download |
|---|-----|----------|

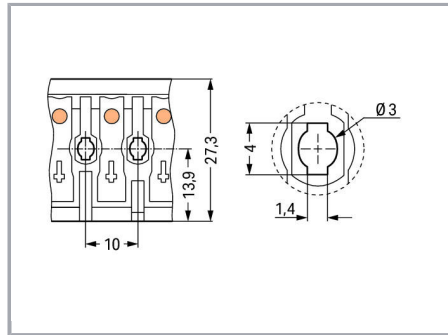
Subject to changes. Please also observe the further product documentation!

Installation Notes

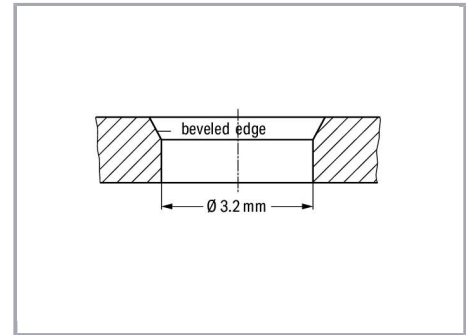
Installation



5-pole – without ground contact



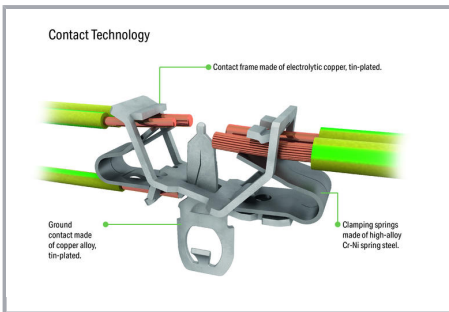
Mounting hole for screw



Hole for screw mount

Notice: The maximum thread diameter for self-tapping screws is 3 mm.

Notice: The maximum thread diameter for self-tapping screws is 3 mm.



| EUROPE |
|--------------------------------------|
| 1 x 0.5 ... 2.5 mm ² "s" |
| 1 x 0.5 ... 1.5 mm ² "s" |
| 1 x 0.5 ... 0.75 mm ² "s" |
| AMERICA |
| 1 x AWG 18 ... 14 "s" |
| 1 x AWG 18 ... 16 "s" |
| 1 x AWG 18 "s" |
| JAPAN |
| 1 x 0.8 ... 1.6 mm diam. "s" |
| 1 x 0.8 ... 1 mm diam. "s" |
| 1 x 0.8 mm diam. "s" |

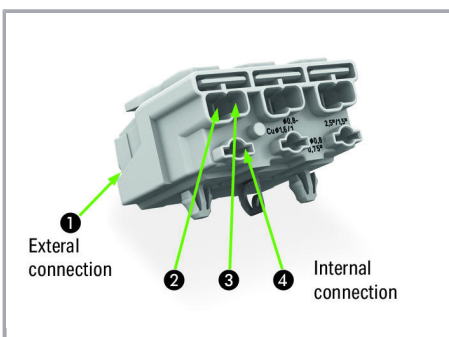
| EUROPE |
|---|
| 2 x 0.5 ... 2.5 mm ² "s, str, f-str" |
| |
| |
| AMERICA |
| 2 x AWG 18 ... 12 "s" |
| 2 x AWG 18 ... 14 "s, f-str" |
| |
| |
| JAPAN |
| 2 x 0.8 ... 2 mm diam. "s" |
| 2 x 0.5 ... 2 mm ² "str, f-str" |
| |
| |

Internal connection:

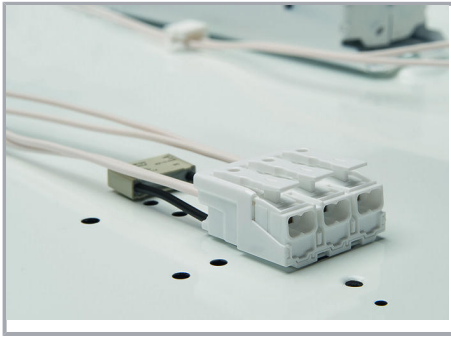
PUSH WIRE® for internal wiring with solid conductors

External connection:

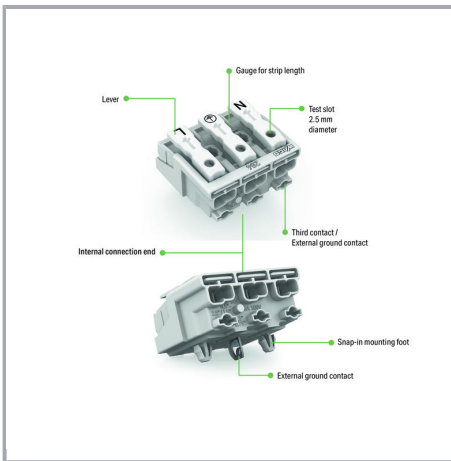
Push-in CAGE CLAMP® for field-wiring with all conductor types



Subject to changes. Please also observe the further product documentation!



Terminating five conductors per pole – solid and fine-stranded.



Subject to changes. Please also observe the further product documentation!