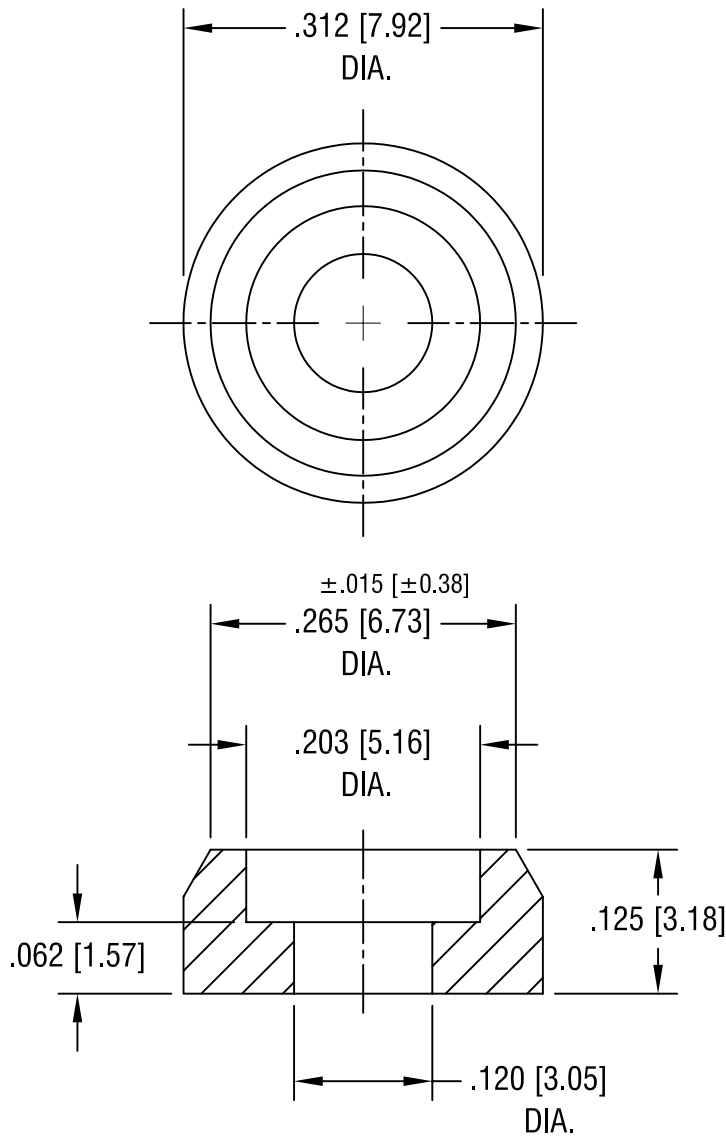


THIS DOCUMENT IS THE PROPERTY OF
KEYSTONE ELECTRONICS CORP. AND
SHALL NOT BE REPRODUCED, DISTRIBUTED
OR USED AS A BASIS FOR MANUFACTURE
WITHOUT PRIOR WRITTEN PERMISSION
FROM KEYSTONE ELECTRONICS CORP.



KEYSTONE ELECTRONICS CORP.			
ASTORIA, N.Y. 11105-2017			
PART NAME		FERRULE	
MATERIAL		ALUMINUM	
FINISH		DRN BY	DATE
BLACK ANODIZE		BOONE	11.28.95
		APP'D	SCALE
			6X
TOLERANCES	INCH [MM]	CODE	DWG NO.
DECIMAL	± .005 [± 0.15]	C	9122
ANGULAR	± 1°		
UNLESS OTHERWISE SPECIFIED			

9.28.07	CHANGE AS PER ECN 07-060	A
DATE	DESCRIPTION	REV.