



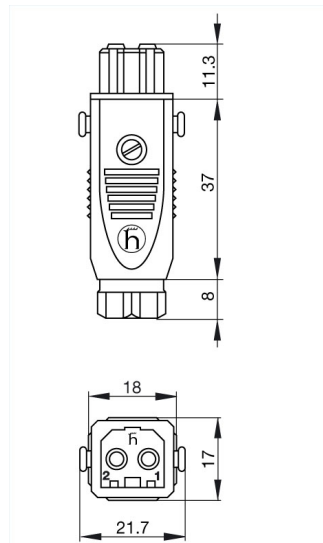
STAK 2 grau/grey

Industrial Connectors:Rectangular connectors ST-series:Cable socket

Product description

Description	Cable socket without strain relief
Type	STAK 2 grau/grey
Order No.	930 621-106
Type of contact	female
Number of contacts	2 + PE
Cable gland	PG 7
Cable diameter	4 mm to 6.5 mm
Conductor size	max. 1.5 mm ²
Housing Color	grey
Contact bearer color	black

Drawing



Technical data

Pin dimensions	2 mm
Rated voltage	250 V AC/DC
Rated current	DC 10 A / AC 16 A
Contact resistance	≤ 5 mΩ
Type of termination	screw

Material

Contact material	Cu Zn
Contact surface material	Sn
Contact bearer material	PA
Housing material	PA

Environmental conditions

Protection class (IEC 60529)	IP 54
Pollution severity	3
Temperature range	-30 °C to +90 °C

Inflammability class

Housing	UL 94 V-1
Contact bearer	UL 94 HB
Approvals	
UL	UL
Packaging unit	
Packaging unit	100 pieces
Scope of delivery and accessories	
Accessories to order separately	safety brackets STASI 2, order no. 732 044-000