

# PRODUCT DATASHEET

is brought to you by



[SOS electronic](https://www.soselectronic.com/)

distribution of electronic components

Click to view availability, pricing and lifecycle information.

Visit <https://www.soselectronic.com/>

**Datasheet begins on next page.**

**ebm-papst Mulfingen GmbH & Co. KG**

Bachmühle 2  
 74673 Mulfingen  
 Phone: +49 7938 81-0  
 Fax: +49 7938 81-110  
 www.ebmpapst.com  
 info1@de.ebmpapst.com

## Nominal data

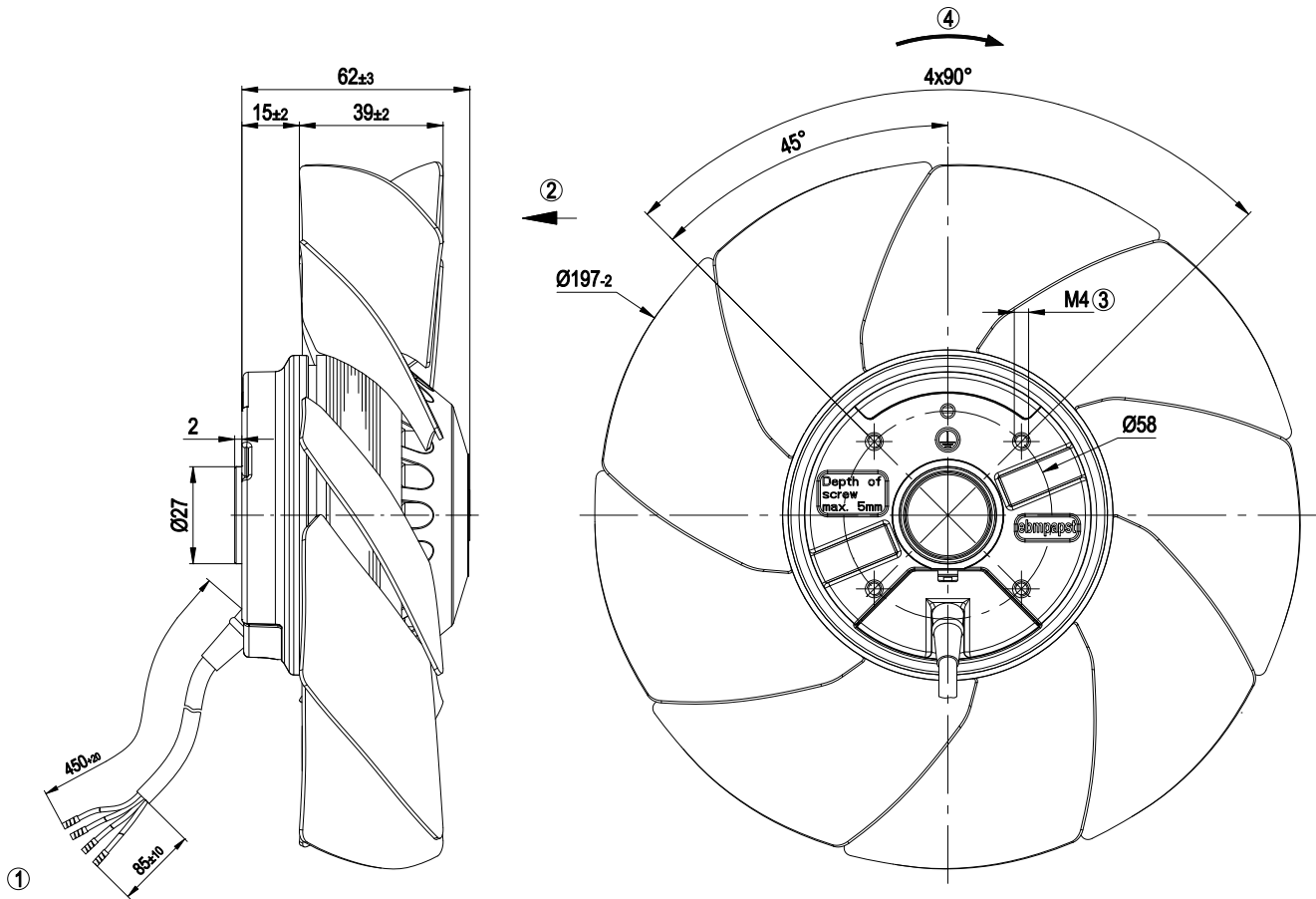
<b>Type</b>	<b>A2E200-AH38-01</b>		
<b>Motor</b>	<b>M2E068-BF</b>		
Phase		1~	1~
Nominal voltage	[V]	230	230
Frequency	[Hz]	50	60
Type of data definition		rfa	rfa
Valid for approval / standard		CE	CE
Speed	[min <sup>-1</sup> ]	2600	2900
Power input	[W]	64	78
Current draw	[A]	0.3	0.34
Motor capacitor	[µF]	1.5	1.5
Capacitor voltage	[VDB]	450	450
Max. back pressure	[Pa]	150	150
Max. ambient temperature	[°C]	65	65
Air flow	[m <sup>3</sup> /h]	890	990
Back pressure	[Pa]	0	0
Sound pressure level	[dB(A)]	65	68

ml = max. load · me = max. efficiency · rfa = running at free air · cs = customer specs · cu = customer unit  
 Subject to alterations

## Technical features

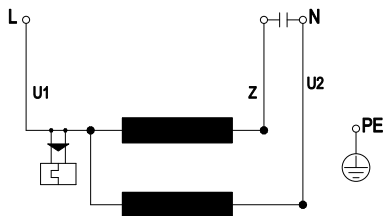
Leakage current	< 0,75 mA
Size	200 mm
Operation mode	S1
Mounting position	Shaft horizontal or rotor on bottom; rotor on top on request
Direction of rotation	Counter-clockwise, seen on rotor
Insulation class	"B"
Cable exit	Variable
Condensate discharge holes	Rotor-side
Bearing-motor	Ball bearing
Mass	1.4 kg
Material of blades	Sheet steel, coated in black
Motor protection	Thermal overload protector (TOP) wired internally
Product conforming to standard	CE; EN 60335-1
Surface of rotor	Coated in black
Number of blades	9
Type of protection	IP 44
Protection class	I
Approval	CCC

## Product drawing



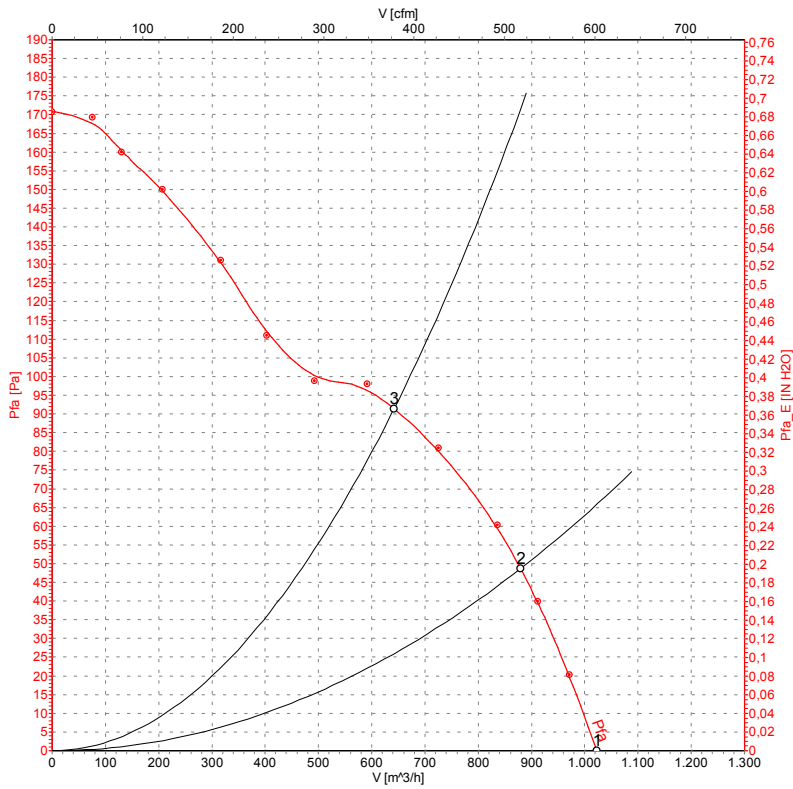
- 1 Connection line PVC, 4x crimped core-end sleeves
- 2 Direction of air flow "V"
- 3 Direction of rotation counterclockwise, seen on rotor

## Connection screen



U1	blue	Z	brown	U2	black
PE	green/yellow				

## Charts: Air flow 60 Hz



## Measured values

	U	f	n	P <sub>1</sub>	I	$\hat{V}$	P <sub>fa</sub>
	[V]	[Hz]	[min <sup>-1</sup> ]	[W]	[A]	[m <sup>3</sup> /h]	[Pa]
1	230	60	2915	77	0.33	1025	0
2	230	60	2795	82	0.36	880	49
3	230	60	2660	87	0.38	640	92