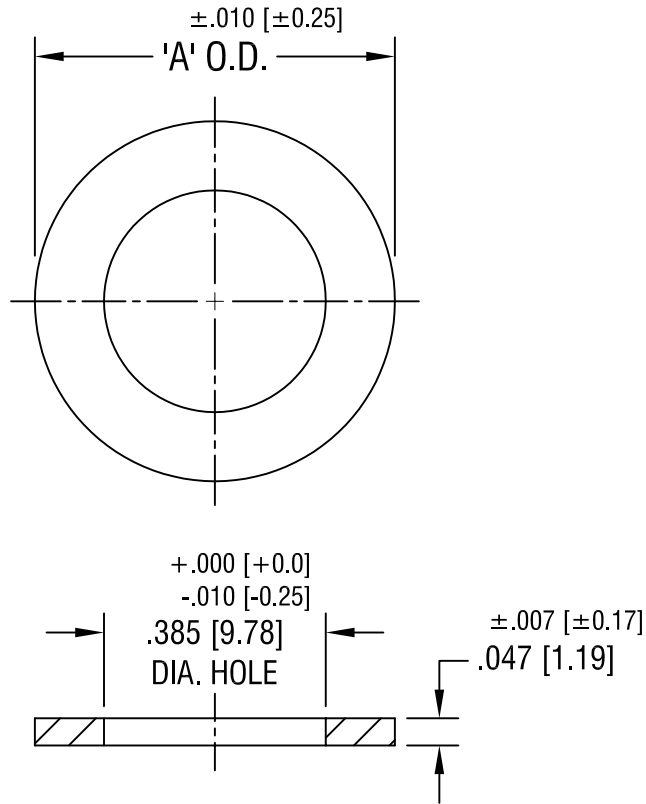


THIS DOCUMENT IS THE PROPERTY OF  
KEYSTONE ELECTRONICS CORP. AND  
SHALL NOT BE REPRODUCED, DISTRIBUTED  
OR USED AS A BASIS FOR MANUFACTURE  
WITHOUT PRIOR WRITTEN PERMISSION  
FROM KEYSTONE ELECTRONICS CORP.



'A' O.D. DIM.	MAT'L: FIBRE	MAT'L: NYLON
.500 [12.70]	3186	3190
.625 [15.87]	3187	3191
.750 [19.05]	3188	3192
1.000 [25.40]	3189	3193

**KEYSTONE ELECTRONICS CORP.**

ASTORIA, N.Y. 11105-2017

PART NAME				FLAT WASHER			
MATERIAL				AS NOTED			
FINISH		DRN BY		DATE			
-		BOONE		8.23.82			
		APP'D		SCALE			
		LN		3X			
TOLERANCES		INCH [MM]		CODE		DWG NO.	
DECIMAL		$\pm .005$ [ $\pm 0.15$ ]		C/M		3186-3193	
ANGULAR		$\pm 1^\circ$					
UNLESS OTHERWISE SPECIFIED							

9.15.94	CHANGE AS PER ECR 94-053	A
DATE	DESCRIPTION	REV.