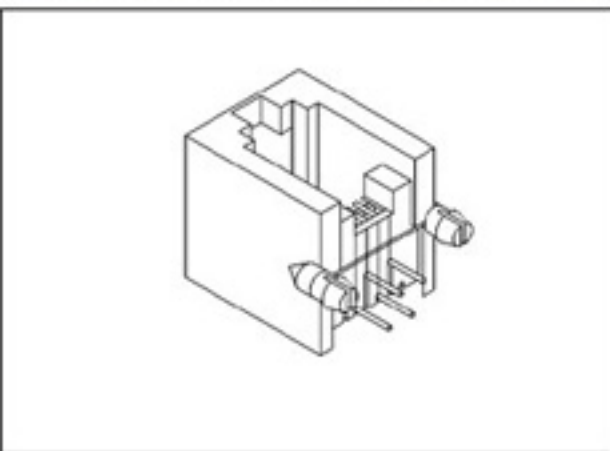


H:14.5mm X L:13mm Modular Jack



NO. OF POSITIONS	NO. OF CONTACTS	DIMENSIONS		
		A	B	C
4	4	10.00	7.85	10.00
(6P)4	4	12.20	7.85	12.00
6	2/4/6	12.20	9.90	12.00
(8P)6	4/6	15.00	9.90	15.00
8	6/8	15.00	11.85	15.00
10	10	15.00	11.85	15.00

SPECIFICATIONS:

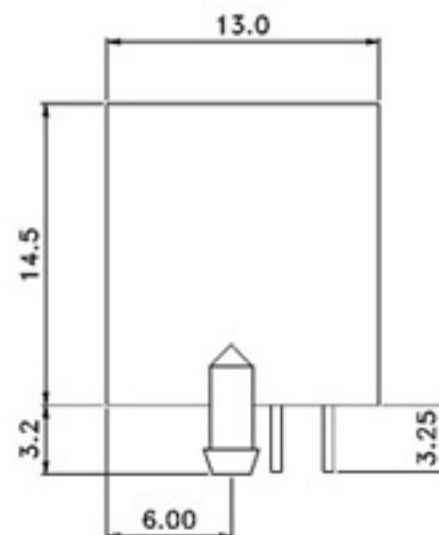
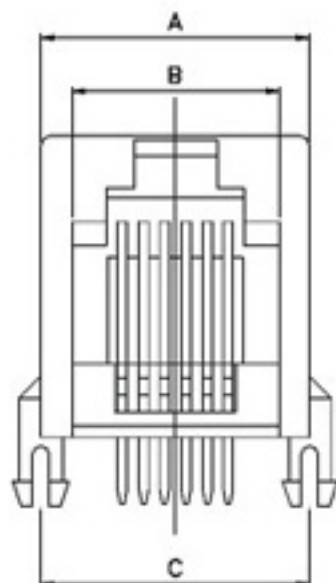
- Current rating:1.0A AC,DC
- Voltage rating:150V AC,DC
- Contact resistance:20mΩ max
- Insulation resistance:1000MΩ min
- Withstanding voltage:500V AC/minute
- Temperature range:-25°C to +125°C

MATERIAL:

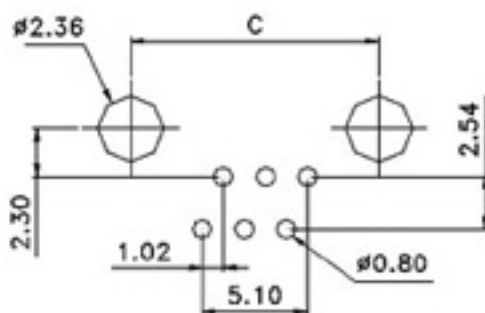
- Insulator: PBT UL94V-0
- Contact: Phosphor Bronze
- Finish: Gold Plated

ORDERING INFORMATION:

- 7007-XPXC
- 2/4/6/8/10 Contacts
 - 4/6/8/10 Positions



7007-XPXC



PCB LAYOUT

