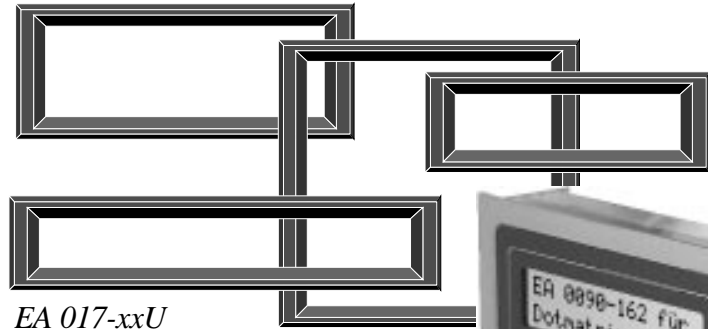
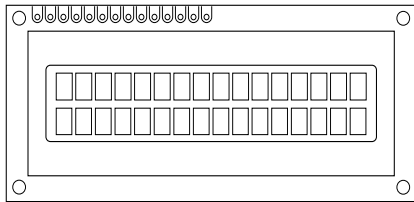


BEZELS FOR DOTMATRIX MODULES EA 017-xxU AND EA 017-xx SERIES



EA 017-xxU



EA 0090-162

BEZELS EA 017-XXU SERIES

These bezels give your equipment a professional design without extra tooling. The bezels are made of black ABS-material (UL listed) with a scratch-resistant and structured surface. They include a snap-in appliance for easy mounting of different 1 mm windows. They are available with glass or acrylicglass window, both clear or antiglare version. The bezels are glued into the frontpanel of your equipment.

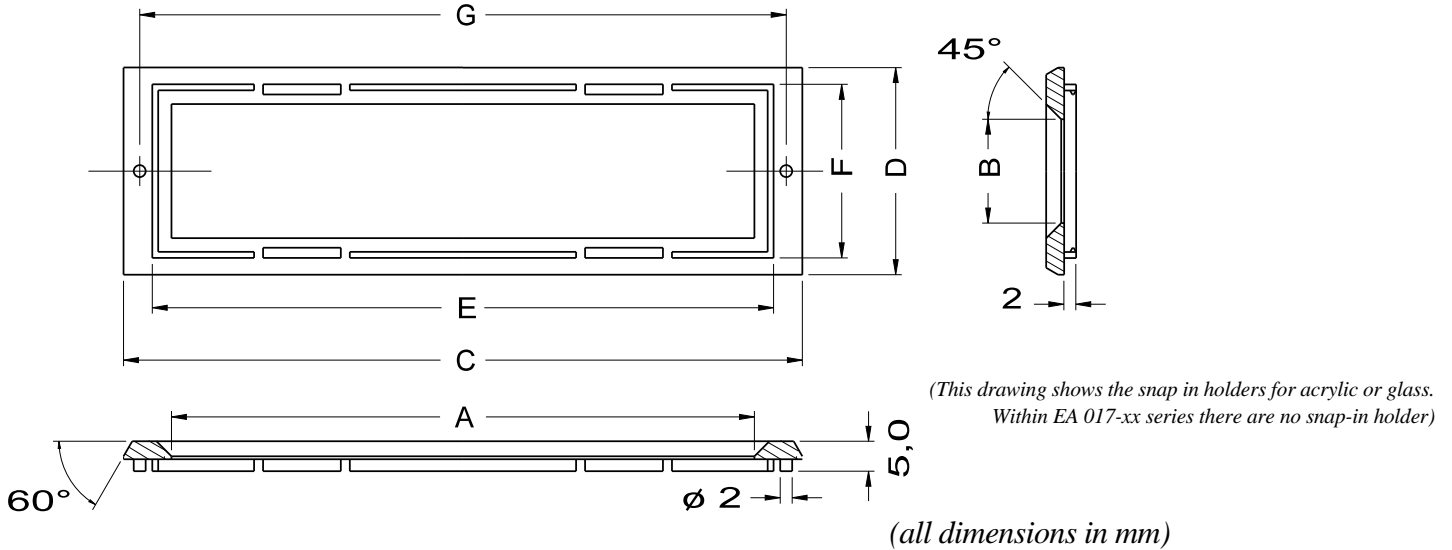
bezel version	ordering information
without window	EA 017-xxU
clear acrylicglass	EA 017-xxUK
antiglare acrylicglass	EA 017-xxUKE
clear glass	EA 017-xxUG
antiglare glass	EA 017-xxUGE

BEZELS EA 017-XX SERIES

These bezels are similar in design (not UL listed), the surface is mat black coated. Acrylicglass windows are available clear or antiglare.

bezel version	ordering information
without window	EA 017-xx
clear acrylicglass	EA 017-xxK
antiglare acrylicglass	EA 017-xxKE

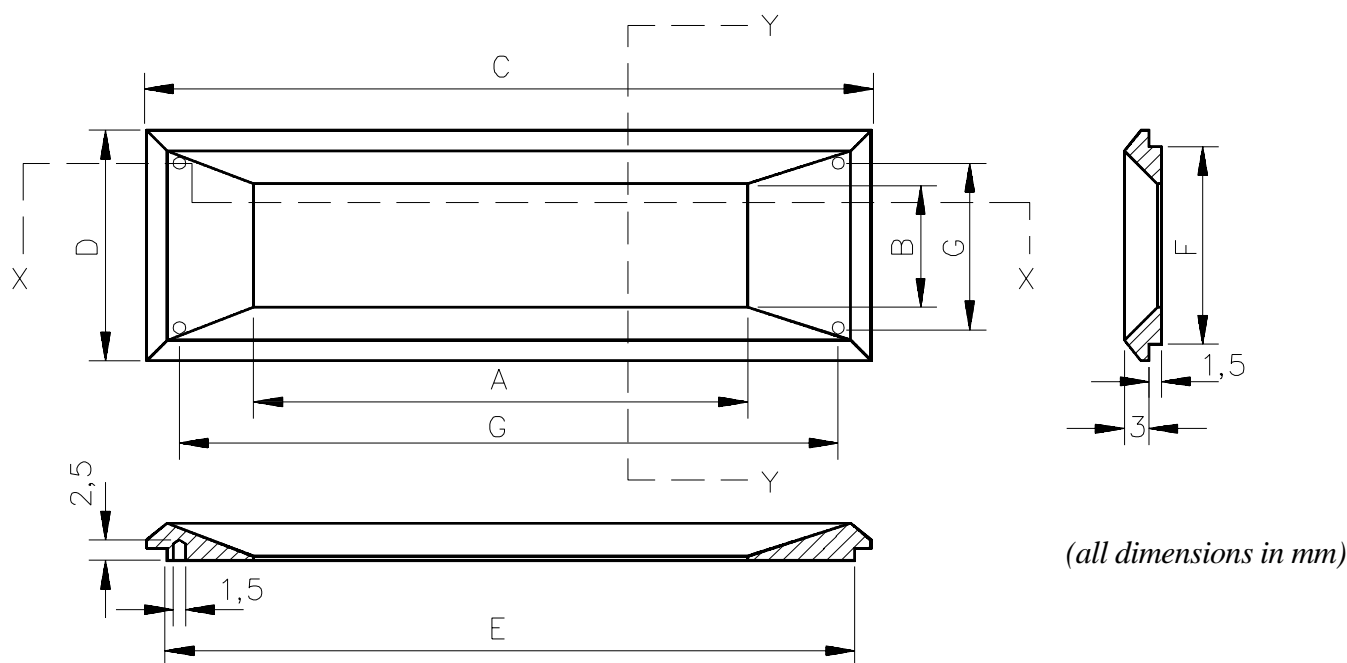
BEZELS FOR DOT-MATRIX MODULES EA 017-xxU AND EA 017-xx SERIES



Ordering information	viewing area		bezel size		cutout		studs G	matching lcd-module dotmatrix / graphic	
	A	B	C	D	E	F			
EA 017-1U	63,5	12,8	79,5	25,0	69,7	19,2	74,5	EA 7161-A	1x16
EA 017-2U	60,0	14,8	76,0	27,0	66,2	21,2	71,0	EA 7162	2x16
EA 017-3	131,5	13,0	147,5	25,2	137,7	19,4	142,5	(EA 7321)	1x32
EA 017-4U	153,0	14,8	169,0	27,0	159,2	21,2	164,0	EA 7402	2x40
EA 017-5	140,0	15,8	156,0	28,0	146,2	22,2	151,0	EA 7322-B	2x32
EA 017-6U	98,5	12,8	114,5	25,0	104,7	19,2	109,5	EA 7161-E	1x16
EA 017-7U	81,5	17,2	97,5	29,4	87,7	23,6	92,5	EA 7202	2x20
EA 017-8U	60,8	24,2	76,8	36,4	67,0	30,6	71,8	EA 7164	4x16
EA 017-9U	75,0	24,2	91,0	36,4	81,2	30,6	86,0	EA 7204	4x20
EA 017-10U	131,0	38,0	147,0	50,2	137,2	44,4	142,0	EA 7240-6	240x64
EA 017-11	243,0	18,0	259,0	30,2	249,2	24,4	254,0	EA 8401-B	1x40
EA 017-12U	97,4	22,4	113,4	34,6	103,6	28,8	108,4	EA 7162-B	2x16
EA 017-13U	145,0	28,0	161,0	40,2	151,2	34,4	156,0	EA 7404	4x40
EA 017-14U	92,0	14,8	108,0	27,0	98,4	21,2	103,0	EA 7242	2x24
EA 017-15U	68,0	68,0	84,0	80,2	74,2	74,4	79,0	EA VK-2128	128x128
EA 017-16U	75,0	39,0	91,0	51,2	81,2	45,4	86,0	EA VK-2080	160x80
EA 017-17U	58,0	32,5	74,0	44,7	64,2	38,9	69,0	EA VK-2064	128x64
EA 017-18U	99,5	80,5	115,5	92,7	105,7	86,9	110,5	EA VK-5160	160x128
EA 017-23	121,0	12,0	137,0	24,2	127,2	18,4	132,0	EA 8201-B	1x20
EA 017-24	121,0	22,0	137,0	34,2	127,2	28,4	132,0	EA 8202-B	2x20
EA 017-25U	121,0	41,5	137,0	53,7	127,2	47,9	132,0	EA 8204-B	4x20
EA 017-26	145,0	17,5	161,0	29,7	151,2	23,9	156,0	EA 8201-C	1x20
EA 017-27	145,0	33,8	161,0	46,0	151,2	40,2	156,0	EA 8202-C	2x20
EA 017-28	145,0	63,9	161,0	76,1	151,2	70,3	156,0	EA 8204-C	4x20

The panel cutout should be 0.2 to 0.5 mm larger than dimension EF. The bezel is centered to the cutout by 2 studs with 2mm diameter.

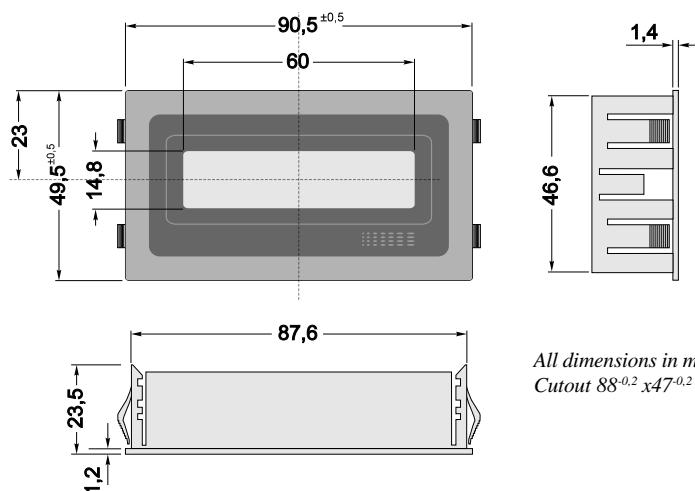
BEZELS FOR DOT-MATRIX MODULES EA 07 SERIES



(all dimensions in mm)

Ordering information	viewing area		bezel size		cutout		mounting G	matching module
	A	B	C	D	E	F		
EA 07-A	63,0	12,0	86,0	25,0	82,0	21,0	78 x 17	EA 7161-A/-C/-D EA VK-2003/5 a.o.
EA 07-B	97,0	12,0	122,0	25,0	118,0	21,0	114 x 17	EA 7161-E/-F
EA 07-C	60,0	15,0	88,0	28,0	84,0	24,0	80 x 20	EA 7162 a.o.
EA 07-D	82,0	17,0	107,0	30,0	103,0	26,0	99 x 20	EA 7202 a.o.
EA 07-E	151,0	15,0	176,0	28,0	174,0	24,0	169 x 20	EA 7402 a.o.

The bezels from the EA 07 series are always delivered without acrylicglass window.



All dimensions in mm; Panel
Cutout 88^{-0,2} x 47^{-0,2} mm

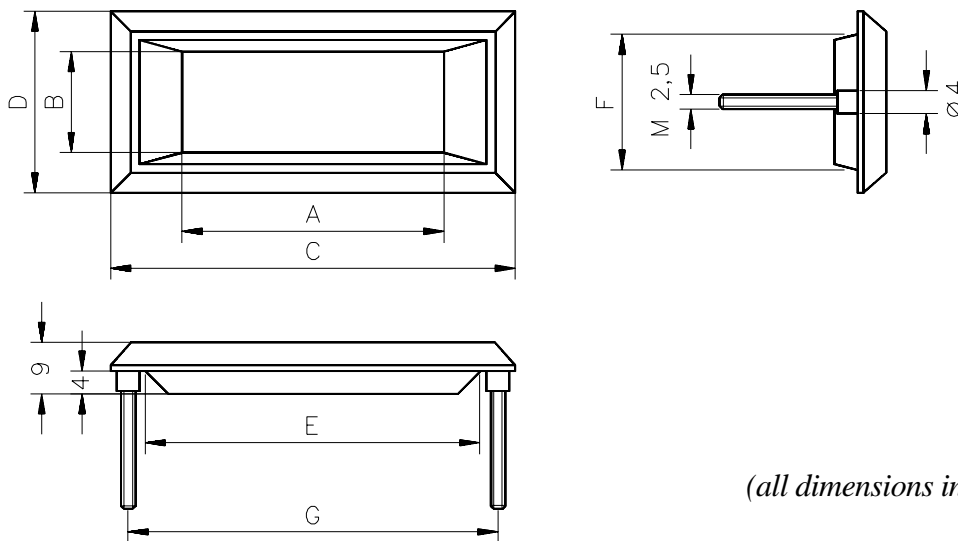
Snap-In Case EA 0090-162:

The following LCD dotmatrix-modules with outer dimension 84x44mm fitting that case:

- 1x8 Char: EA VK-2018(LED), EA VK-2118, LM 054...
- 2x16 Char: EA VK-2004N(LED), EA VK-2010, EA VK-2038, EA P162-NLED, EA 7162-NEL, EA 7162-NLED, EA 8162-NLED, LM 16255, LM 016, HC 16201, HDM-16216H-B, DV-16244, EA-D16025, LM 66X2C16CX, LTN 211, BT 21605, DMC-16207, DMC-16202, PC 1602LRU...
- Graphic, EA 0090-122: EA P122-5NLED (122x32 dots), BT 80016 (80x16 dots)...

BEZELS FOR FRONTPANEL DESIGN AND MOUNTING

STANDARD BEZELS WITH SCREWPINS M2,5 FOR LCD-MODULES FROM SERIES EA 11xx, EA 21xx, EA 31xx, 41xx AND EA 61xx



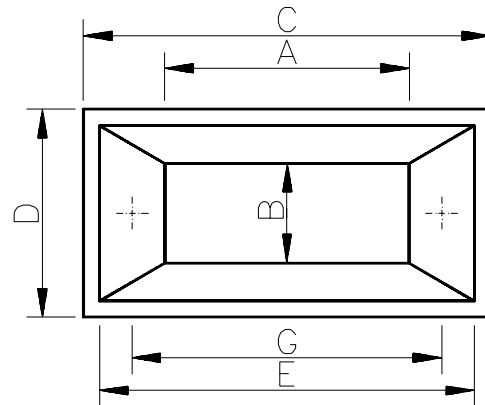
(all dimensions in mm)

Ordering information	viewing area		bezel size		cutout		mounting	matching module
	A	B	C	D	E	F	G	
EA 02-N	45,6	10,8	70,4	24,8	58,5	16,8	63,2/ M2,5	9mm 4digit
EA 03	45,6	17,7	70,0	32,0	54,5	22,0	61 / M2,5	13mm 4digit
(EA 03-N	45,6	17,7	70,4	31,6	58,5	23,5	63,5/ M2,5	13mm 4digit)
EA 05-N	63,8	19,4	88,2	33,2	75,8	25,5	81,3/ M2,5	13mm 6digit
EA 08-N	62,2	22,6	87,0	36,6	72,7	28,2	80,3/ M2,5	18mm 4digit
EA 09	86,2	17,7	113,0	32,0	96,0	22,0	104 / M2,5	13mm 8digit
EA 09-N	86,0	17,6	110,8	31,6	99,0	23,3	104 / M2,5	13mm 8digit
EA 010-N	86,0	22,6	110,8	33,6	98,0	28,2	103 / M2,5	18mm 6digit
EA 011-N	86,0	30,3	110,8	44,3	99,0	36,1	104 / M2,5	25mm 4digit
EA 050-N	160,0	56,0	189,0	73,0	173,2	62,3	180,3 x 61	50mm 4digit

The bezels have two (EA 050-N: four) screwpins M2,5 for mounting the LCD-module on the frontpanel. The delivery includes the matching nuts.

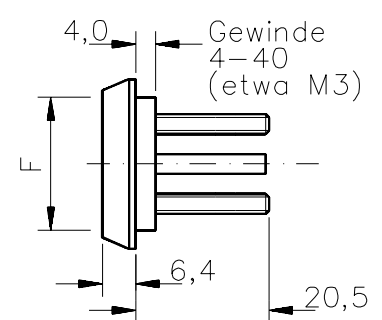
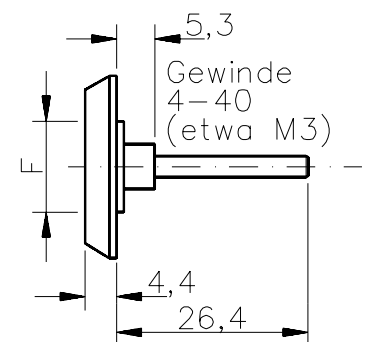
At 5 pcs off we can deliver these bezels (excl. EA 050-N) with pasted acrylicglass (thickness 1mm).

FRONTPANEL AND MOUNTING BEZELS FOR LCD-MODULES WITH 12, 25, 33mm DIGIT HEIGHT



(all dimensions in mm)

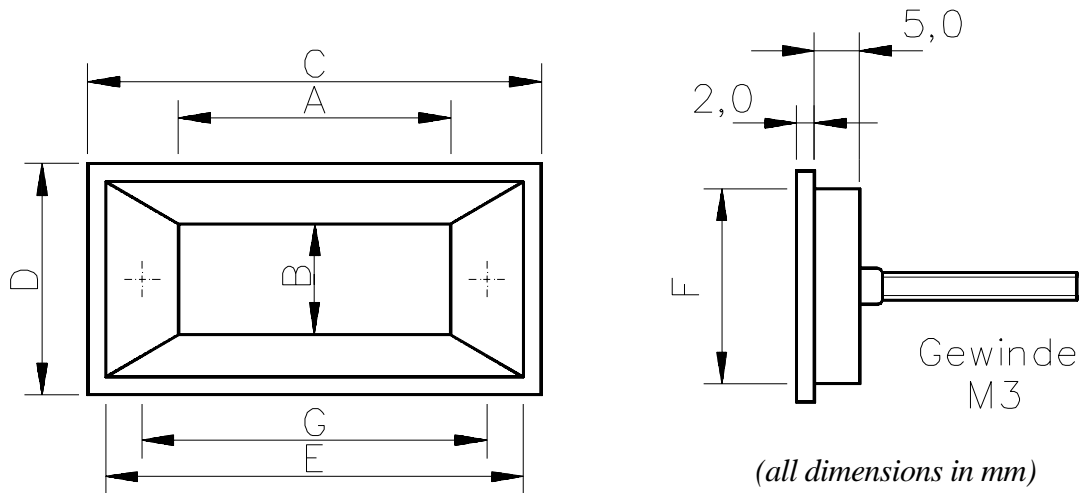
Ordering information	viewing area		bezel size		cutout		mounting
	A	B	C	D	E	F	G
EA 02-2	29,5	12,2	43,2	25,4	39,5	12,7	35,5
EA 02-3	42,7	12,2	55,9	25,4	52,8	12,7	48,2
EA 02-4	55,4	12,2	68,6	25,4	65,9	12,7	60,9
EA 02-5	68,1	12,2	81,3	25,4	78,6	12,7	73,6
EA 02-6	80,8	12,2	94,0	25,4	91,3	12,7	86,3
EA 02-7	93,5	12,2	106,7	25,4	104,0	12,7	99
EA 02-8	106,2	12,2	119,8	25,4	116,7	12,7	111,7
EA 08-2	30,0	24,9	43,2	38,1	40,5	25,4	35,5
EA 08-3	42,7	24,9	55,9	38,1	53,2	25,4	48,2
EA 08-4	55,4	24,9	68,6	38,1	65,9	25,4	60,9
EA 08-5	68,0	24,9	81,3	38,1	78,6	25,4	73,6
EA 08-6	80,8	24,9	94,0	38,1	91,3	25,4	86,3
EA 08-7	93,5	24,9	106,7	38,1	104,0	25,4	99
EA 08-8	106,2	24,9	119,4	38,1	116,7	25,4	111,7
EA 011-1	29,5	33,0	54,9	58,4	49,0	42,5	41,2
EA 011-2	52,3	33,0	77,7	58,4	71,9	42,5	64
EA 011-3	75,2	33,0	100,6	58,4	94,8	42,5	86,9
EA 011-4	98,0	33,0	123,5	58,4	117,6	42,5	109,7
EA 011-5	120,9	33,0	146,3	58,4	140,5	42,5	132,6
EA 011-6	143,8	33,0	169,2	58,4	163,3	42,5	155,4
EA 011-7	166,7	33,0	192,0	58,4	186,2	42,5	178,3
EA 011-8	189,5	33,0	214,9	58,4	209,1	42,5	201,2



This bezels are always shipped without acrylicglass window.

At 5 pieces off we can deliver these bezels with clear or red acrylicglass window; the ordering information is now e.g: **EA 02-2K** (clear acrylicglass) or **EA 02-2R** (red acrylicglass).

FRONTPANEL AND MOUNTING BEZELS FOR LED-MODULES WITH 12, 19, 25mm DIGIT HEIGHT

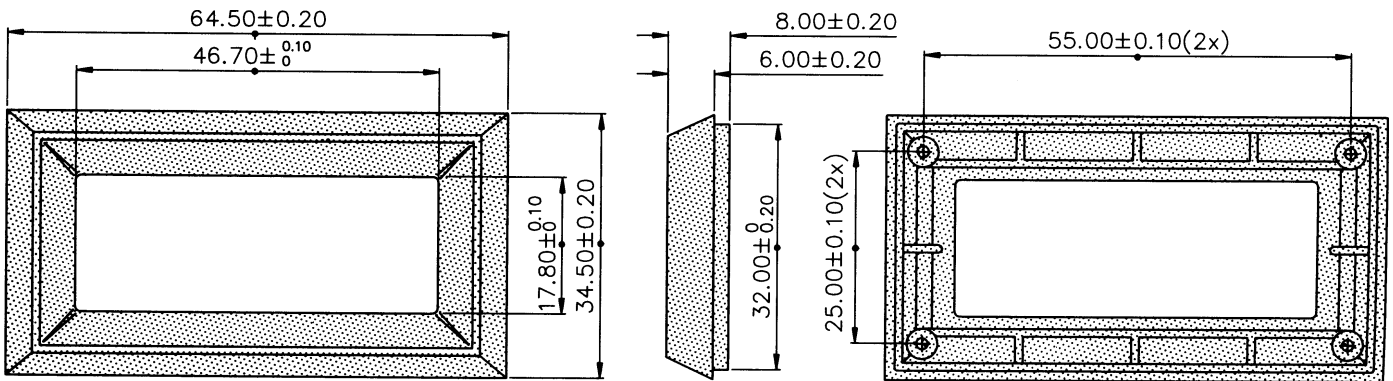


(all dimensions in mm)

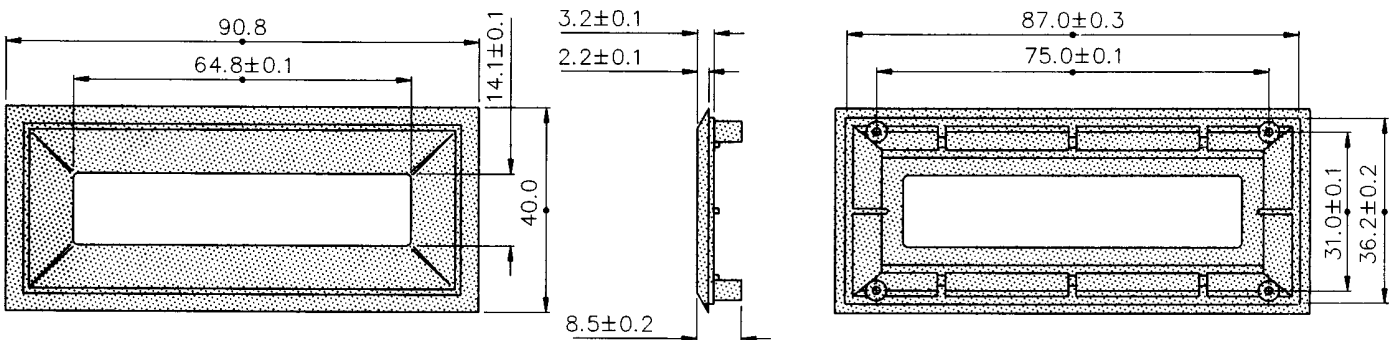
Ordering information	viewing area		bezel size		cutout		mounting G	matching module
	A	B	C	D	E	F		
EA 073-R	30,0	12,2	50,0	25,5	46,0	21,5	38 / M3	3 Digit (LED)
EA 074-R	42,7	12,2	63,0	25,5	59,0	21,5	48,5/ M3	4 Digit (LED)
EA 075-R	55,4	12,2	75,5	25,5	71,5	21,5	63 / M3	5 Digit (LED)
EA 076-R	68,1	12,2	88,3	25,5	84,3	21,5	76 / M3	6 Digit (LED)
EA 077-R	80,8	12,2	101,0	25,5	97,0	21,5	89 / M3	7 Digit (LED)
EA 078-R	93,5	12,2	113,5	25,5	109,5	21,5	101 / M3	8 Digit (LED)
EA 079-R	106,0	12,2	125,5	25,5	121,5	21,5	114,5/ M3	9 Digit (LED)
EA 082-R	30,0	25,0	50,0	38,0	46,0	34,0	37,5/ M3	3 Digit (LED)
EA 083-R	43,0	25,0	62,5	38,0	58,5	34,0	50 / M3	3 Digit (LED)
EA 084-R	56,0	25,0	76,0	38,0	72,0	34,0	63 / M3	4 Digit (LED)
EA 085-R	69,0	25,0	89,0	38,0	85,0	34,0	76 / M3	5 Digit (LED)
EA 086-R	82,0	25,0	102,0	38,0	98,0	34,0	89 / M3	6 Digit (LED)
EA 087-R	93,0	25,0	114,0	38,0	110,0	34,0	101 / M3	7 Digit (LED)
EA 088-R	106,0	25,0	126,0	38,0	122,0	34,0	114 / M3	8 Digit (LED)
EA 092-R	26,0	19,5	47,0	32,0	43,0	28,0	33 / M3	2 Digit (LED)
EA 093-R	38,0	19,5	59,0	32,0	55,0	28,0	45 / M3	3 Digit (LED)
EA 094-R	50,0	19,5	70,5	32,0	66,5	28,0	58 / M3	4 Digit (LED)
EA 096-R	77,0	19,5	97,0	32,0	93,0	28,0	84 / M3	6 Digit (LED)
EA 098-R	101,0	19,5	122,5	32,0	118,5	28,0	109 / M3	8 Digit (LED)

These bezels are usually delivered with a red acrylicglass window. Alternatively you can order a clear acrylicglass window. The ordering information is now e.g: **EA 096-K** insted of **EA 096-R**.

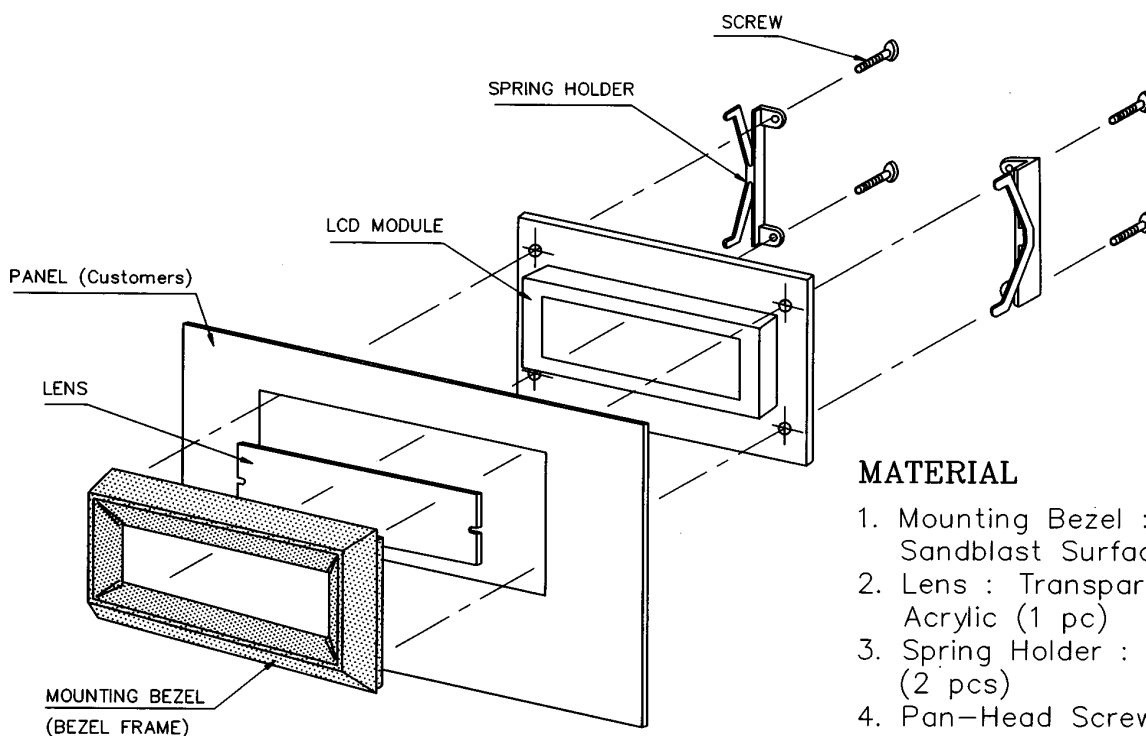
FRONTPANEL AND MOUNTING BEZELS WITH CLEAR WINDOW



EA 0MB-10 for modules like multi purpose clock EA VK-3000, voltmeters: EA 4066, EA VK-1760, EA VK-1763, 7-segment display with serial input EA VK-4002, data logger EA SYLOG-1



EA 0MB-20 for alphanumeric dot-matrix modules with pbc size 80x36x11 and viewing area 64x14mm. (1x16 characters: EA VK-2005NLED, EA P161-D. 2x16 characters: EA VK-2003NLED, EA 8162-WN3LED, EA VK-2216N, EA P162-C)

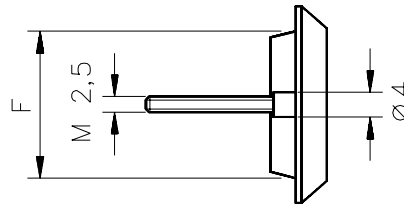
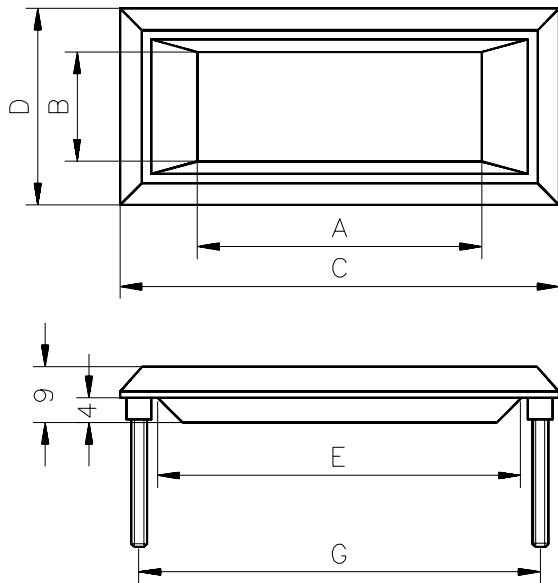


MATERIAL

1. Mounting Bezel : Black ABS. Sandblast Surface (1 pc)
2. Lens : Transparent Clear Acrylic (1 pc)
3. Spring Holder : Black ABS. (2 pcs)
4. Pan-Head Screw : (4 pcs) $\phi 1.80 \times 14.0 \text{mm}$

BEZELS

FRONTPANEL AND MOUNTING BEZELS FOR SPECIAL MODULES



(all dimensions in mm)

Ordering information	viewing area		bezel size		cutout		mounting	matching module
EA 0SC-2	41,0	13,4	69,9	39,4	47,8	26,2	55,5x26,2	EA 2042/43/44, EA 6044
EA 022	51,0	18,0	72,0	36,0	68,0	33,0	snap-in	EA 4022
EA 033-K	45,7	18,2	72,0	36,0	68,0	33,0	62 x 27	EA 4060-DP
EA 033-R	45,7	18,2	72,0	36,0	68,0	33,0	62 x 27	EA 4040-DP
EA 044	32,5	13,0	48,0	24,0	45,0	22,5	snap-in	EA 4044
EA 055	42,5	17,5	60,0	30,0	57,0	27,0	snap-in	EA 4055/-S
EA 055-31	42,5	17,5	60,0	30,0	57,0	27,0	snap-in	EA 1031-N, EA 4050

The snap-in bezel is delivered in two parts: the bezel and the window. The bezel is pressed from the frontside into the frontpanel and the corresponding module is snapped in from the rear side of the frontpanel. Finally the window is pasted up to the bezel.