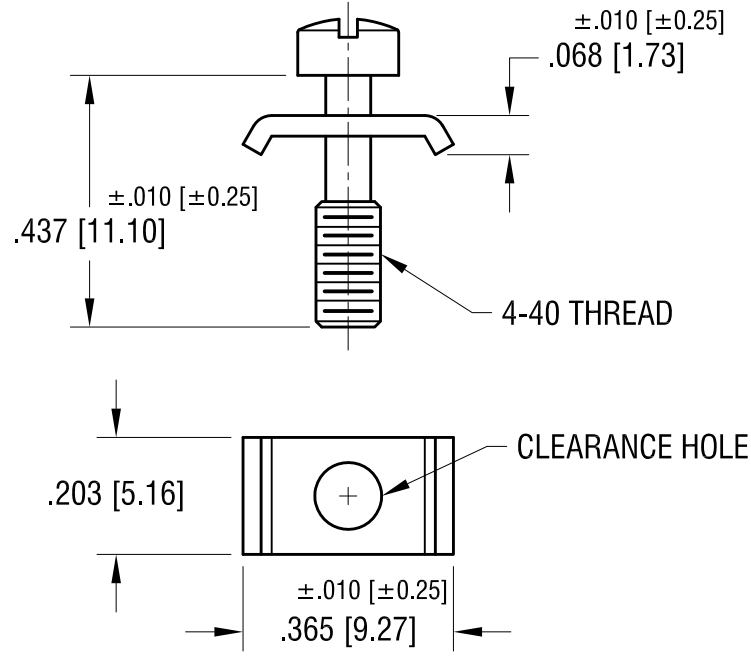
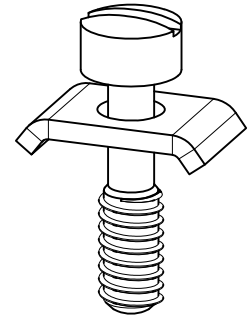


THIS DOCUMENT IS THE PROPERTY OF  
KEYSTONE ELECTRONICS CORP. AND  
SHALL NOT BE REPRODUCED, DISTRIBUTED  
OR USED AS A BASIS FOR MANUFACTURE  
WITHOUT PRIOR WRITTEN PERMISSION  
FROM KEYSTONE ELECTRONICS CORP.



**NOTE:**

- 1. FINISH: ZINC PLATE, TRIVALENT  
YELLOW CHROMATE

9.01.10	CHANGE AS PER ECN 10-063	C
9.10.08	CHANGE AS PER ECN 08-151	B
7.18.05	CHANGE AS PER ECN 05-049	A
DATE	DESCRIPTION	REV.

<b>KEYSTONE ELECTRONICS CORP.</b>			
www.keyelco.com • ASTORIA, N.Y. 11105-2017 • Tel (718) 956-8900			
PART NAME			
SADDLE WASHER ASSEMBLY			
MATERIAL			
STEEL			
FINISH		DRN BY	DATE
AS NOTED		BOONE	1.24.97
		APP'D	SCALE
		LN	3X
TOLERANCES	INCH [MM]	CODE	DWG NO.
DECIMAL	± .005 [± 0.15]	C	<b>2063</b>
ANGULAR	± 1°		
UNLESS OTHERWISE SPECIFIED			