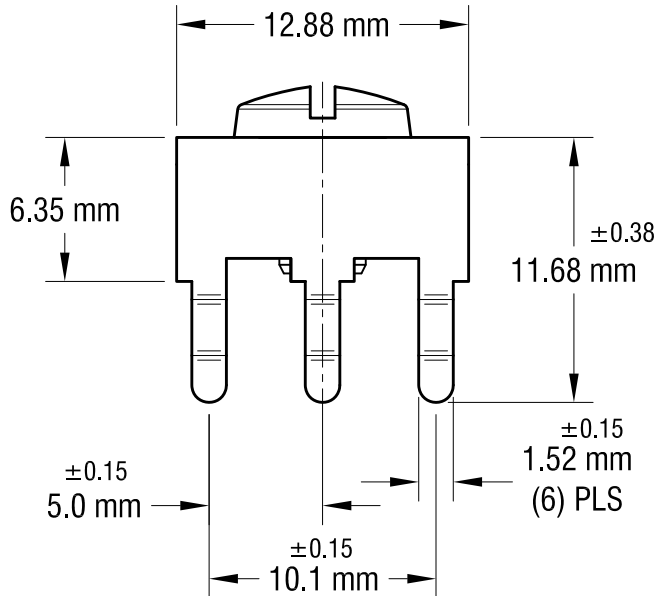
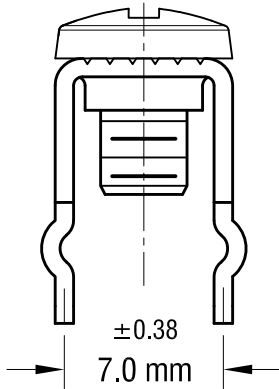
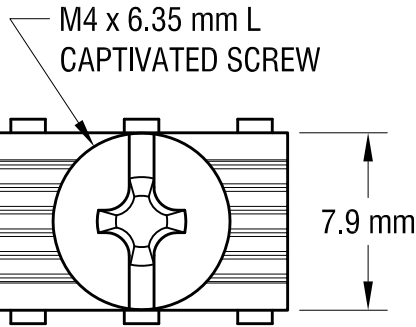
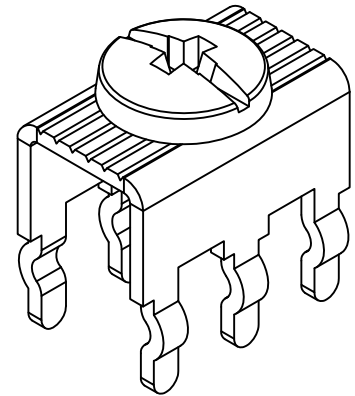
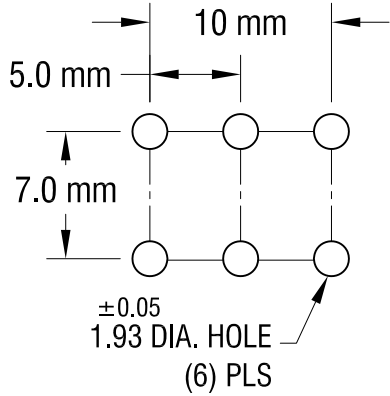


THIS DOCUMENT IS THE PROPERTY OF KEYSTONE ELECTRONICS CORP. AND SHALL NOT BE REPRODUCED, DISTRIBUTED OR USED AS A BASIS FOR MANUFACTURE WITHOUT PRIOR WRITTEN PERMISSION FROM KEYSTONE ELECTRONICS CORP.

MOUNTING DETAIL



NOTE:

1. TERMINAL:

MAT'L - 0.81mm TH'K BRASS, MATTE TIN PLATE

SCREW : ONE (1) M4 x 6.35mm L.

MAT'L - BRASS, NICKEL PLATE
(SCREW CAPTIVATED)

KEYSTONE ELECTRONICS CORP.

www.keyelco.com • ASTORIA, N.Y. 11105-2017 • Tel (718) 956-8900

PART NAME
METRIC SCREW TERM. & CAPTIVATED SCREW

MATERIAL
AS NOTED

FINISH AS NOTED	DRN BY	NT	DATE	7.02.08
	APP'D	LN	SCALE	3X

TOLERANCES	INCH	[MM]	CODE	DWG NO.
DECIMAL	±	[±0.25]	C	7800
ANGULAR	± 1°			
UNLESS OTHERWISE SPECIFIED				

9.30.09	CHANGE AS PER ECN 09-139	B
11.18.08	CHANGE AS PER ECN 08-182	A
DATE	DESCRIPTION	REV.