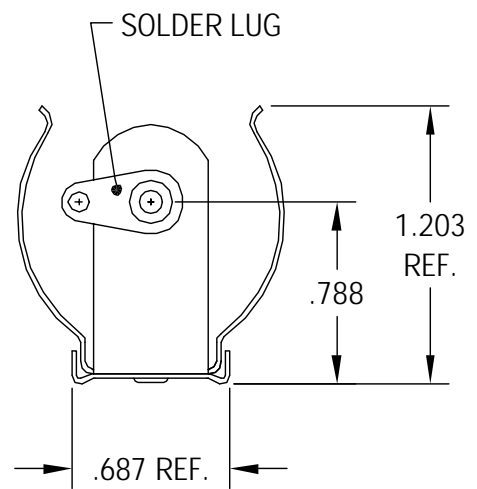
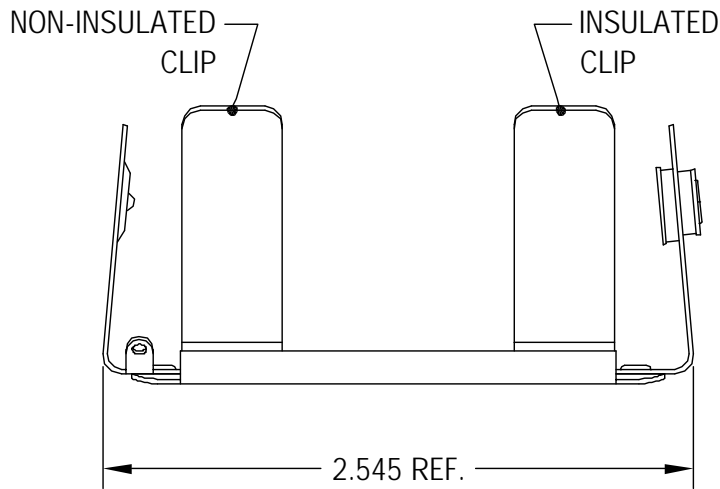
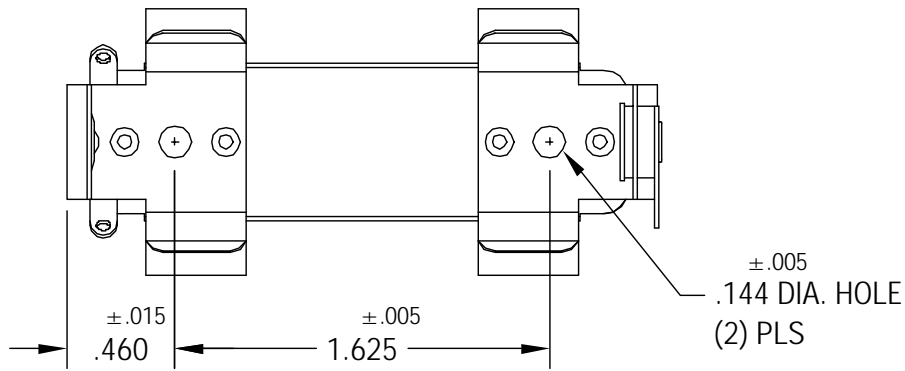


THIS DOCUMENT IS THE PROPERTY OF
KEYSTONE ELECTRONICS CORP. AND
SHALL NOT BE REPRODUCED, DISTRIBUTED
OR USED AS A BASIS FOR MANUFACTURE
WITHOUT PRIOR WRITTEN PERMISSION
FROM KEYSTONE ELECTRONICS CORP.



NOTES:

- 1. BASE: MAT'L - STAINLESS STEEL
- CLIP: MAT'L - SPRING STEEL
- FINISH - NICKEL PLATE
- LUG: MAT'L - BRASS
- FINISH - TIN PLATE

KEYSTONE ELECTRONICS CORP.

ASTORIA, N.Y. 11105-2017

PART NAME			
NON-INSULATED BATTERY HOLDER (1) 'D'			
MATERIAL			
AS NOTED			
FINISH		DRN BY	DATE
AS NOTED		BOONE	10.10.02
		APP'D	SCALE
			1.2X
TOLERANCES	INCH	[MM]	CODE
DECIMAL	$\pm .010$	$[\pm]$	C
ANGULAR	$\pm 1^\circ$		DWG NO.
UNLESS OTHERWISE SPECIFIED			1175

DATE	DESCRIPTION	REV.