

## SIZE EF20 - 2 or 3 OUTPUTS: 5/5v or 12/12v or 3.3+5/12v - FLYBACK TRANSFORMER

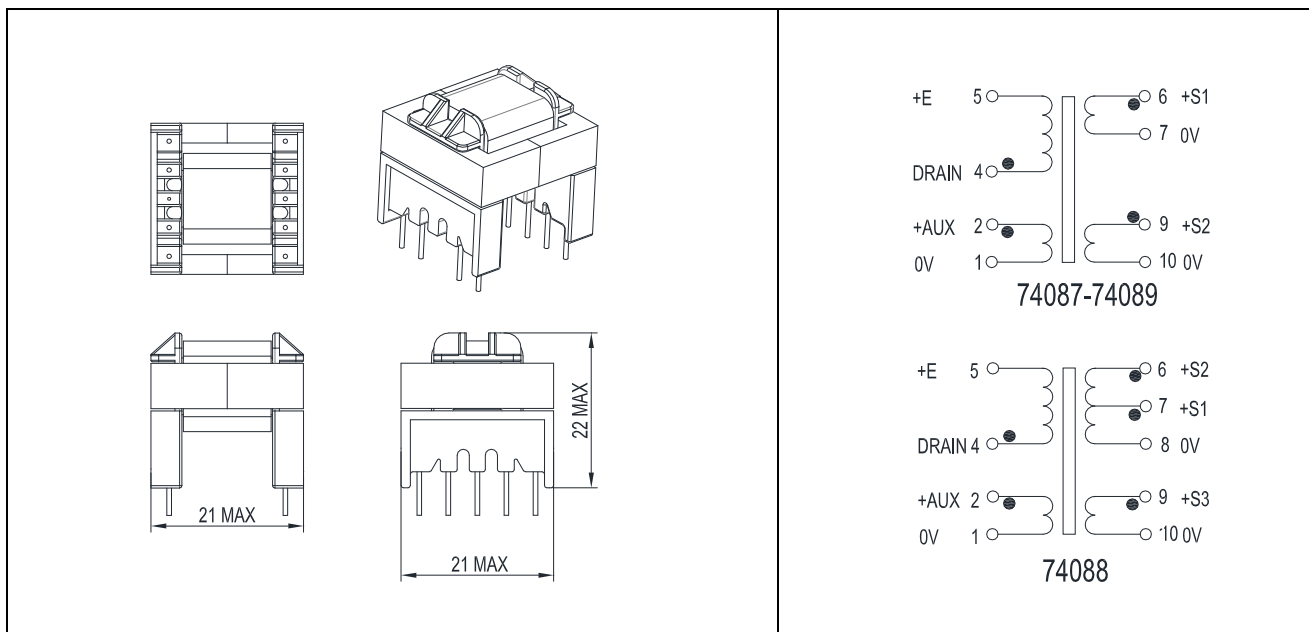
Primary / Secondary Insulation  $\geq 4000V$  - Primary / Auxiliary Insulation  $\geq 1500V$

Creepage distance Primary / Secondary  $\geq 8mm$

Ambient temperature  $< 50^{\circ}C$

Construction conforms to IEC950, IEC335, IEC61558 for reinforced insulation

Exclusively uses UL94-V0 listed materials



MYRRA P / N	Output Power maximum	Windings					
			Pins	Turns	Voltage	Current maximum	Inductance (+/-10%)
<b>74087</b>	24 w	Pri	4 - 5	86	85 - 265 Vrms	1.0 Apeak	1000 $\mu$ H
		Aux	2 - 1	12	11 - 18 Vdc	0.3 Adc	
		S1	6 - 7	10	9 - 15 Vdc	1.5 Adc	
		S2	9 - 10	10	9 - 15 Vdc	1.5 Adc	
<b>74088</b>	20 w	Pri	4 - 5	80	85 - 265 Vrms	0.9 Apeak	1100 $\mu$ H
		Aux	2 - 1	17	15 Vdc	0.3 Adc	
		S1	7 - 8	4	3.3 Vdc	3 Adc Sum S1+S2	
		S2	6 - 8	6	5 Vdc		
		S3	9 - 10	14	12 Vdc	1.3 Adc	
<b>74089</b>	20 w	Pri	4 - 5	86	85 - 265 Vrms	0.85 Apeak	1300 $\mu$ H
		Aux	2 - 1	12	7 - 18 Vdc	0.3 Adc	
		S1	6 - 7	5	3 - 7.5 Vdc	2.0 Adc	
		S2	9 - 10	5	3 - 7.5 Vdc	2.0 Adc	

Note for 74087 and 74089 : S1 and S2 can be connected in series or in parallel