

# CUSTOMER PROOFING/CONFORMANCE FORM



Our commitment. Your advantage

Tyco Electronics Idento GmbH

Paul-Ehrlich-Str. 23  
63322 Rödermark

Telephone: +49(0) 6074 8908 (0)  
Facsimile: +49(0) 6074 8908 82  
E.mail: idento@tycoelectronics.com  
Website: www.idento.de

Attention of: <i>Tyco Electronics</i>	
Drawing No.:	
Tyco Part: -	
Name:	Signature:
Date:	

## PLEASE NOTE

**This form is an important part of our contract review and your order cannot be processed further until the necessary approval has been obtained.**

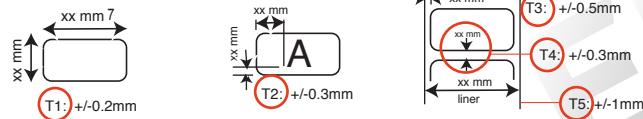
We wish to provide a quality service to you and are conscious that a lengthy delay at this stage could affect any quoted delivery requirements. Delays in excess of 2 working days could result in delivery times being untenable. Please indicate below your acceptance and/or amendments and return this form as soon as is practicable.

**Any amendments to the original design will be charged out @ Euros 40 each conformance to cover administration**

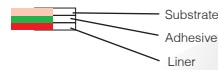
**Orders which remain on conformance with a customer for more than 2 weeks are placed in quarantine this may result in no further action or possible cancellation, however please be assured that we will attempt to contact you before this action**

## LABEL SPECIFICATION

These are our standard tolerances unless specified by customers drawing



### Label build detail



	Description	Material	Nom. Thickness	Adhesive Type	Part number
	EET-52105V-4-W	PV837	0,09mm	Acrylat, permanent	2-1768019-7
	EET-52105P-4	PE233	0,05mm	Acrylat, permanent	2-1768019-3
	EET-52105P-8A	PE230	0,05mm	Acrylat, permanent	2-1768019-4
	EET-52105P-9	PE231	0,05mm	Acrylat, permanent	2-1768019-5
	EET-52105PY-9	PY001	0,1mm	Acrylat, permanent	2-1768019-6

<b>TITLE</b>	REV A1	DRAWN BY Inka Peitz 25/01/10	DRAWING No. -	
<b>MODIFICATION</b>		DATE	PLAN No. -	
<b>APPROVED BY</b>		DATE	FOLDER Rödermark Jan 10	PAGE 1 Customer

## PRESENTATION

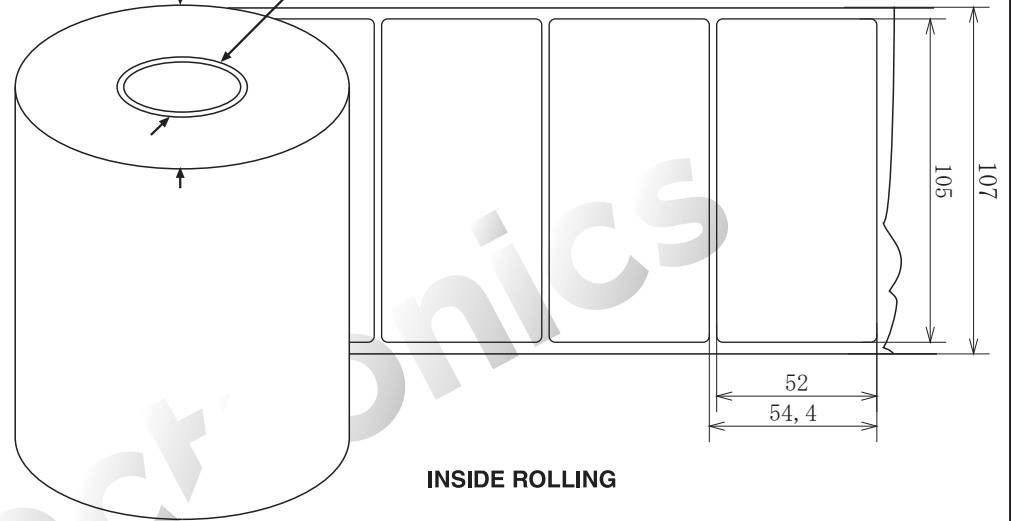
All dimensions in mm

PER ROLL QTY : 1000

MAXI DIAM : /

CORE: 76 mm

VIEWS PER WIDTH : 1



## PRINTING / DIMENSION 2:1

